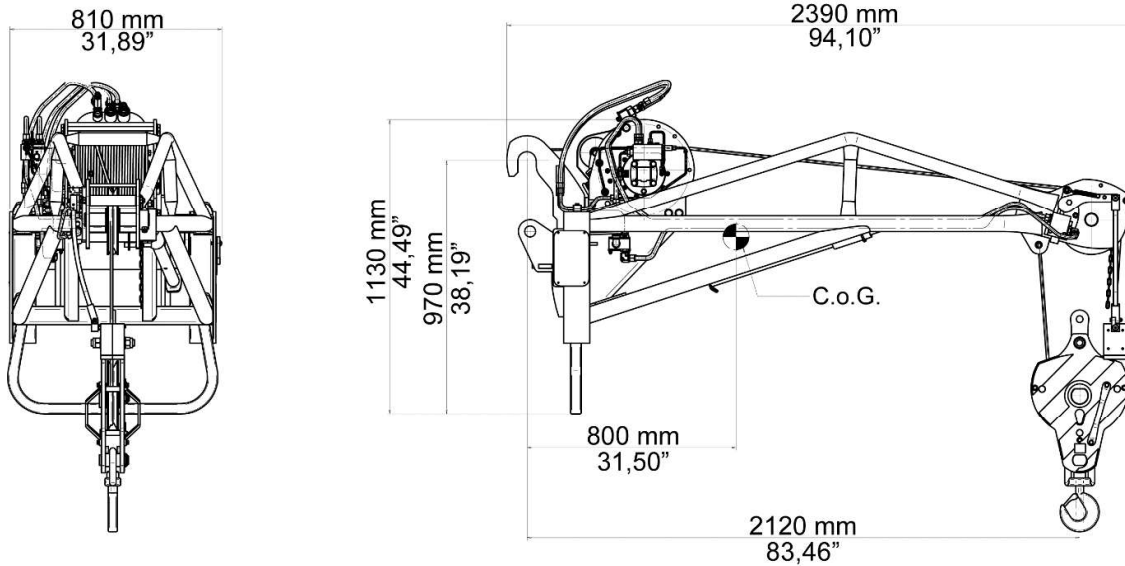


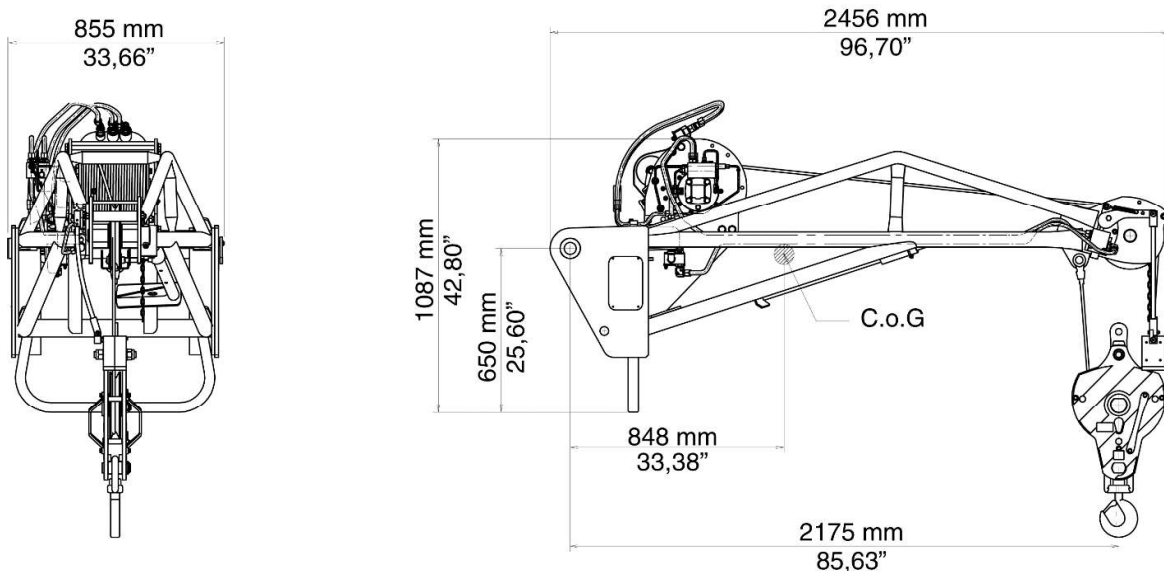
Dimensional JW 2000 I - p.n.07312



Technical data

Unladen weight: 435 kg - 960 lbs
 Lifting capacity: 2000 kg - 4400 lbs
 Hydraulic operating pressure: 230 bar - 3300 psi
 Rope length: 55 m - 180.40"
 Rope diameter 10 mm - 0.40"

Dimensional JW 2000 U - p.n.07031



Technical data

Unladen weight: 435 kg - 960 lbs
 Lifting capacity: 2000 kg - 4400 lbs
 Hydraulic operating pressure: 230 bar - 3300 psi
 Rope length: 55 m - 180.40"
 Rope diameter 10 mm - 0.40"

