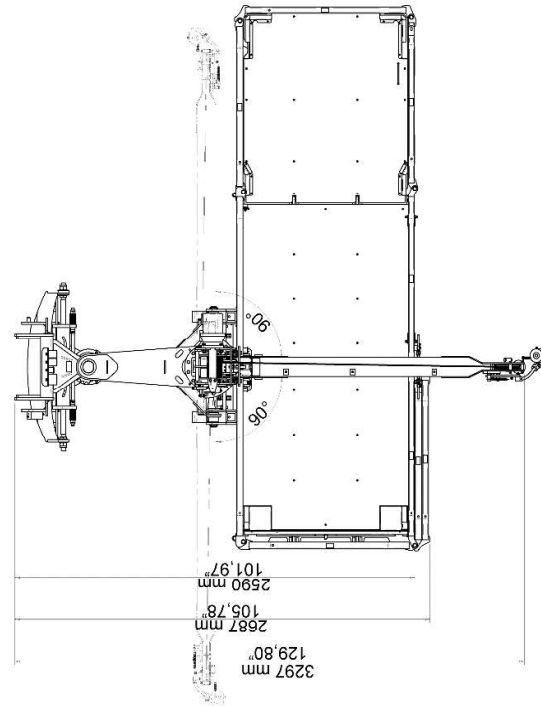
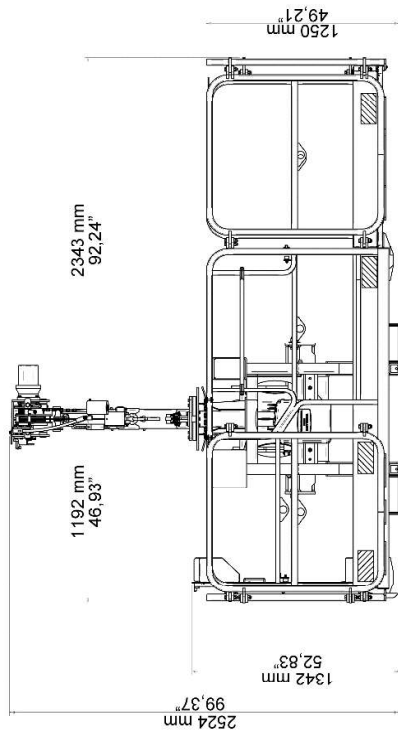
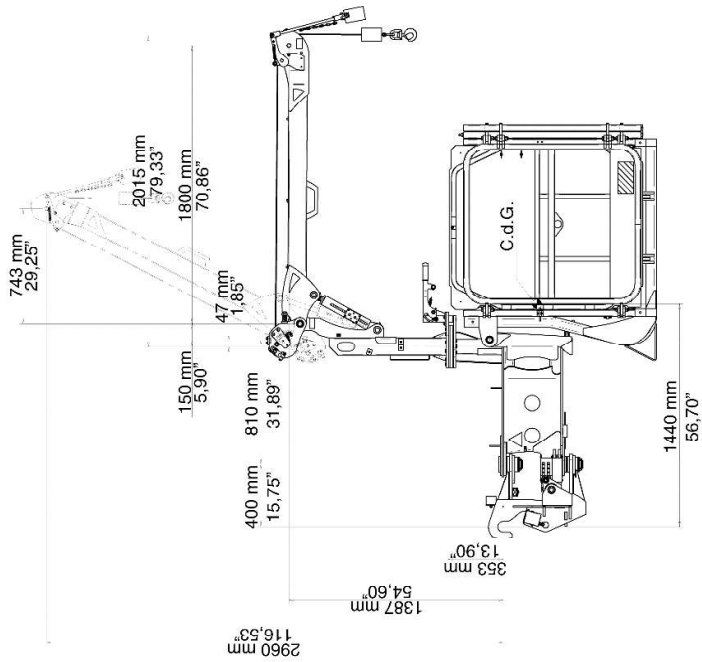


# Dimensional drawing REP 8.2-4,7 W0,3 I - p.n.16500



Weight without load: 1150 kg  
 Platform capacity: 800 kg  
 Winch capacity: 300 kg  
 Operating hydraulic pressure: 200 bar

