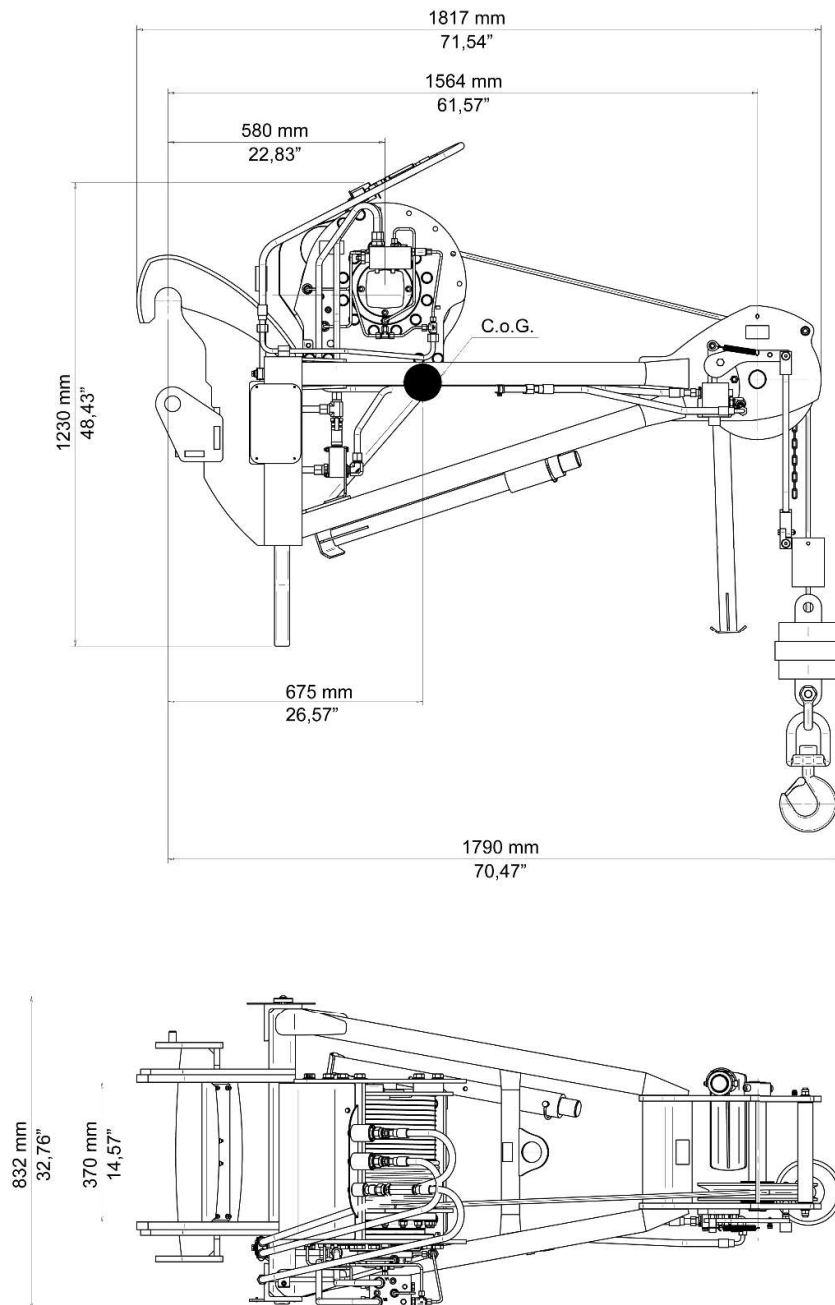


Dimensions of JW 2700 I - p.n.26335



Technical data

Unladen weight:	525 kg / 1157 lbs
Lifting capacity:	2700 kg / 5950 lbs
Hydraulic operating pressure:	230 bar / 3300 psi
Rope length:	58 m / 190.29 ft
Rope diameter:	12 mm / 0.47"