



The Eyewall Armor® Aluminum Roll Down Shutters can be custom made to fit virtually any door, window, patio or porch opening in private residences or commercial buildings. The Roll Down Shutters provide not only superior storm protection but increases security, protects interior furnishings from sunlight damage, and reduces heating and cooling costs.



Eyewall Armor® Aluminum Roll Down Shutters will enhance the value of your home or business by providing not only safety, but peace of mind. This superior system has a variety of installation options; it can be installed on the exterior of existing walls or integrated smoothly and efficiently with electric or manual operation from the convenience and safety of the interior of your home.



## Aluminum Rolling Shutter Utilities

Designed and engineered in-house, these industry leading components are the perfect marriage of power, precision and integration. With multiple configurations available, the agility of our motors and electronics puts them in a class of their own. Designed and tested with quality in mind, Eyewall Armor® motors and electronics will greatly enhance your shutter, door, screen and shading applications. These are only some of the reasons why Eyewall Armor® is superior to the competition in tubular motors and electronics.



**Town & Country**  
INDUSTRIES  
Wholesale Aluminum and Building Products  
A Division of ABC Supply Co., Inc.

*Protect Your Investment*

# Rolling Aluminum Shutters



For additional information about Town & Country Industries, please visit us online at [www.tc-alum.com](http://www.tc-alum.com) or [www.eyewallarmor.com](http://www.eyewallarmor.com)

TC1106 (5/15)





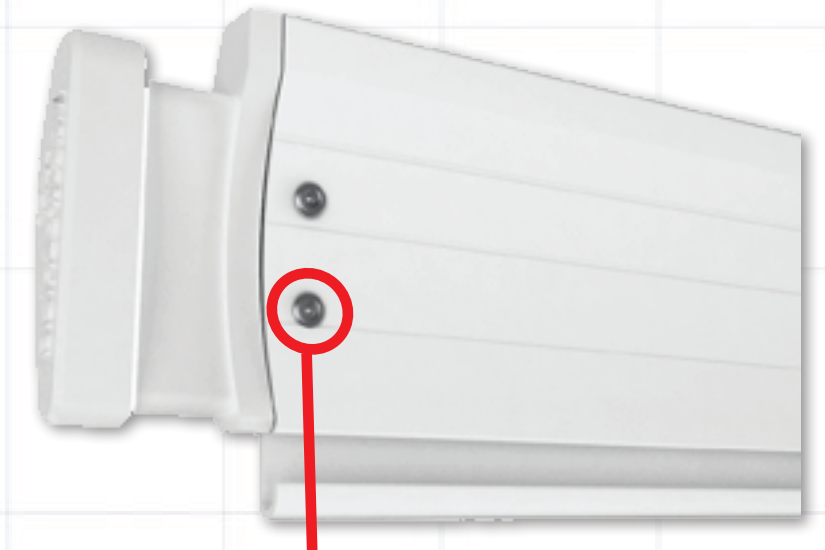
Engineered to be the best, Town & Country's Eyewall Armor® End Retention Roll Shutters are designed for strength and beauty. Our product has been rigorously tested and can achieve widths up to 256" and heights up to 252". Our versatile systems offer you a choice of vented or non-vented slats, in four colors, combined with a wide array of electronic motors and controls that will seamlessly integrate with your shutters.

Our Rolling Shutters will provide your home or business with unparalleled comfort and convenience while affording you maximum protection against intruders and harsh elements.

Eyewall Armor® Aluminum Rolling Shutters have some of the industry's highest LOAD BEARING capacities. The design of the Eyewall Armor® End Retention System is so strong that a 9.5' wide x 20' tall shutter is capable of withstanding over 22,000-lbs. of test load pressure.

Certifications and Approvals:  
 Florida Building Code FL14235 Non-HVHZ & HVHZ, and Texas Department of Insurance SHU Evaluation.

## Protect Your Investment from Intruders



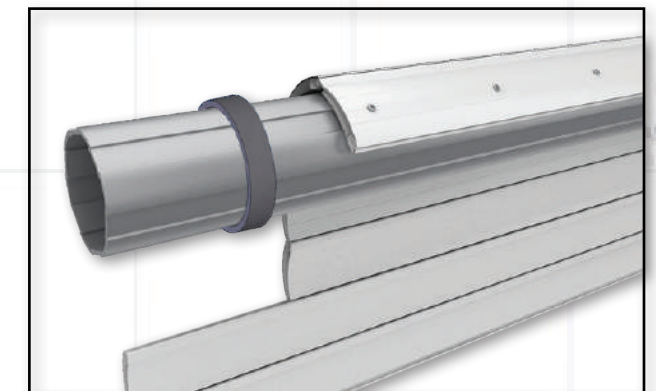
The Eyewall Armor® 44mm & MS 56mm End Retention System are two of the only systems available that employ Aluminum Rivets to secure the End Retention guides to the slat. This avoids the issue of inserting Stainless Steel screws into the end of the slats, which causes severe corrosion through the contact of dissimilar and incompatible metals.



This picture shows the dramatic effect of exposing dissimilar metals to a salt environment. This corrosion adversely affects the ability of a screw in an end retention guide to perform over extended exposure in coastal environments.

- End Retention and Non-End Retention versions provide security and protection against intrusions, hurricane force winds, windborne debris and ultraviolet rays.
- EA 44mm Aluminum Rolling Shutters feature End Retention only.
- Recommended for doors, windows, porches, lanais, balconies, storefronts and more.
- EA 44mm available in sizes up to 146.5" in width and 252" in height.
- MS 56mm available in sizes up to 256" in width and 252" in height.
- Colors Available: White, Beige, Ivory, and Bronze.
- 44mm & 56mm Vented and Non-Vented Slats available.
- Motorization available with Eyewall Armor® tubular motors from 20Nm-300Nm & wireless electronics which accommodate a wide range of applications.
- Eyewall Armor® 44mm Aluminum Rolling Shutters have an ultra compact roll diameter allowing 72" openings in a 7" box and up to 108" in an 8" box.
- Eyewall Armor® 44mm Aluminum Rolling Shutter snap-on track covers hide mounting anchor holes.

As a security device, with the shutter slats attached directly to the motor tube, an Eyewall Armor® aluminum curtain does not allow for any upward movement if an intruder tries to lift from the bottom.



The MS 56mm Rolling Shutter System is also available as a conventional Non-End Retention design. The EA 44mm Rolling Shutter System affords maximum cost efficiency especially on smaller residential openings while still offering all of the enhanced living benefits and peace of mind as an End Retention System.