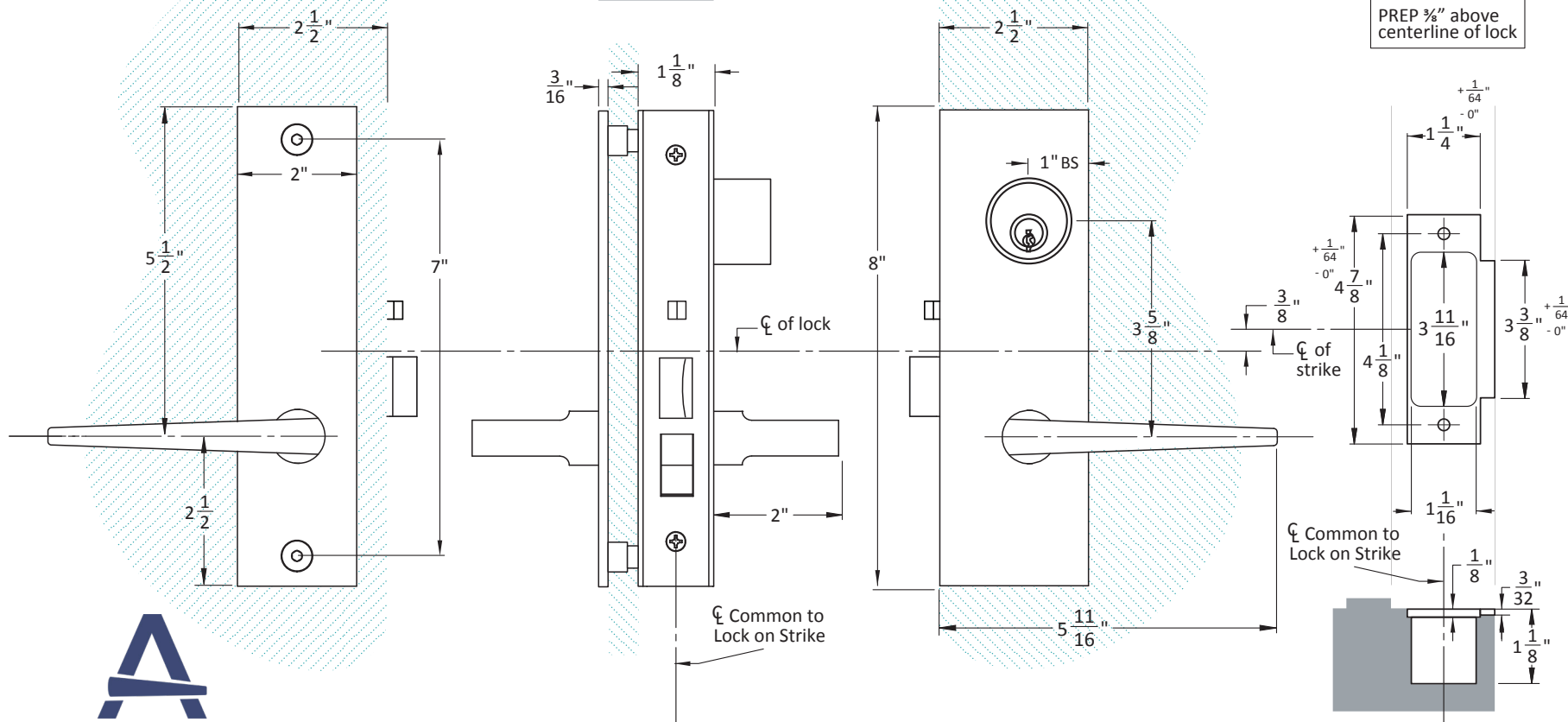
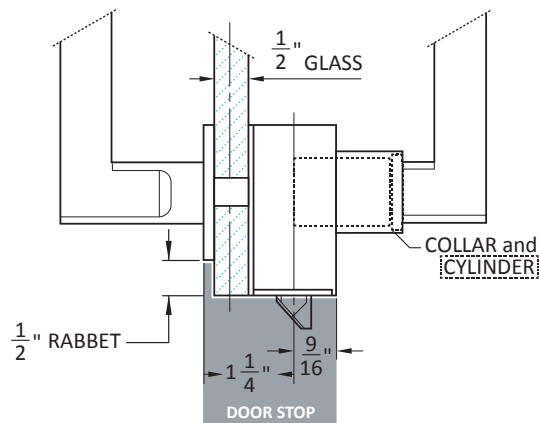


CYLINDER GUIDELINES

Cylinder Length	Collar Size	
	Inswing	Outswing
3/4"	N/A	3/8"
1"		1/2"
1-1/8"		3/8"
1-1/4"		3/4"
1-3/8"	1/8"	7/8"
1-1/2"	3/8"	1"



ACCURATE

LOCK & HARDWARE

AMERICAN CRAFTED SINCE 1972

GR8656 Office with 18L Levers and Strike Prep

Note: RHR shown

Spec. GR8656-RHR.LHR