

Lock Functions	Inside of door		Outside of door	
	"B" thumbturn = 5/8" dia.	"C" cylinder = 1 1/4" dia.	"E" ER or indicator = 5/8" dia.	"F" cylinder = 1 1/4" dia.
9022	●	●	●	●
9024	●	●	●	●
9025	●	●	●	●
9034	●	●	○	●
9039	●	●	●	●
9042	●	●	●	●
9043	●	●	●	●
9043E	●	●	●	●
9044	●	●	●	●
9044E	●	●	●	●
9045	●	●	●	●
9045S	●	●	●	●
9046	●	●	●	●
9048	●	●	●	●
9049	●	●	●	●
9053	●	●	●	●
9049	●	●	●	●
9056	●	●	●	●
9058	●	●	●	●
9059	●	●	●	●
9060	●	●	●	●
9067	●	●	●	●
9069	●	●	●	●
9058EL	●	●	●	●
9058EU	●	●	●	●
9059EL	●	●	●	●
9059EU	●	●	●	●

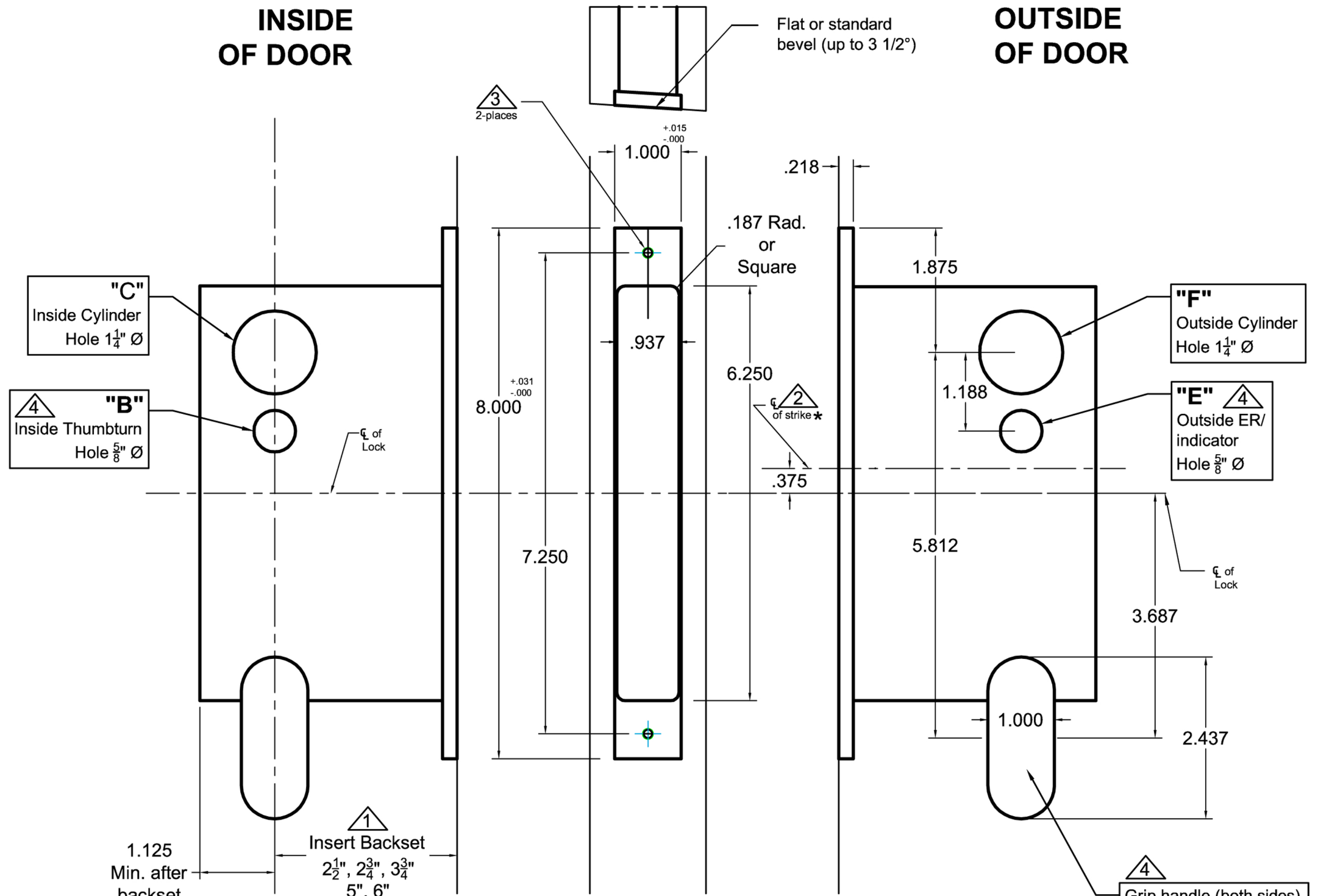
● Required Holes
○ Optional Holes



Standard 9000 Thumbpiece x
Thumbpiece- All Backsets

INSIDE OF DOOR

OUTSIDE OF DOOR



Notes:

- ▲ Insert backset here 2 1/2", 2 3/4", 3 3/4", 5", or 6"
- ▲ ASA strike details on template # T-ALH.ASA.STK
- ▲ Prep for #12 wood or 12-24 machine screws
- ▲ Grip handles, thumbturn and ER hole sizes may vary from different trim manufacturers. Please refer to their templates to confirm these dimensions.

Additional Notes:

- a) **Responsibility:** Door and frame manufacturers are responsible for providing adequate construction or re-inforcement for proper installation of hardware shown.
- b) Please contact us if a double lip strike is needed - for a proper template
- c) See catalog / spec sheets for additional lock details

4 Grip handle (both sides) cutout - NOT SHOWN on side chart

T-ALH.9000.TT