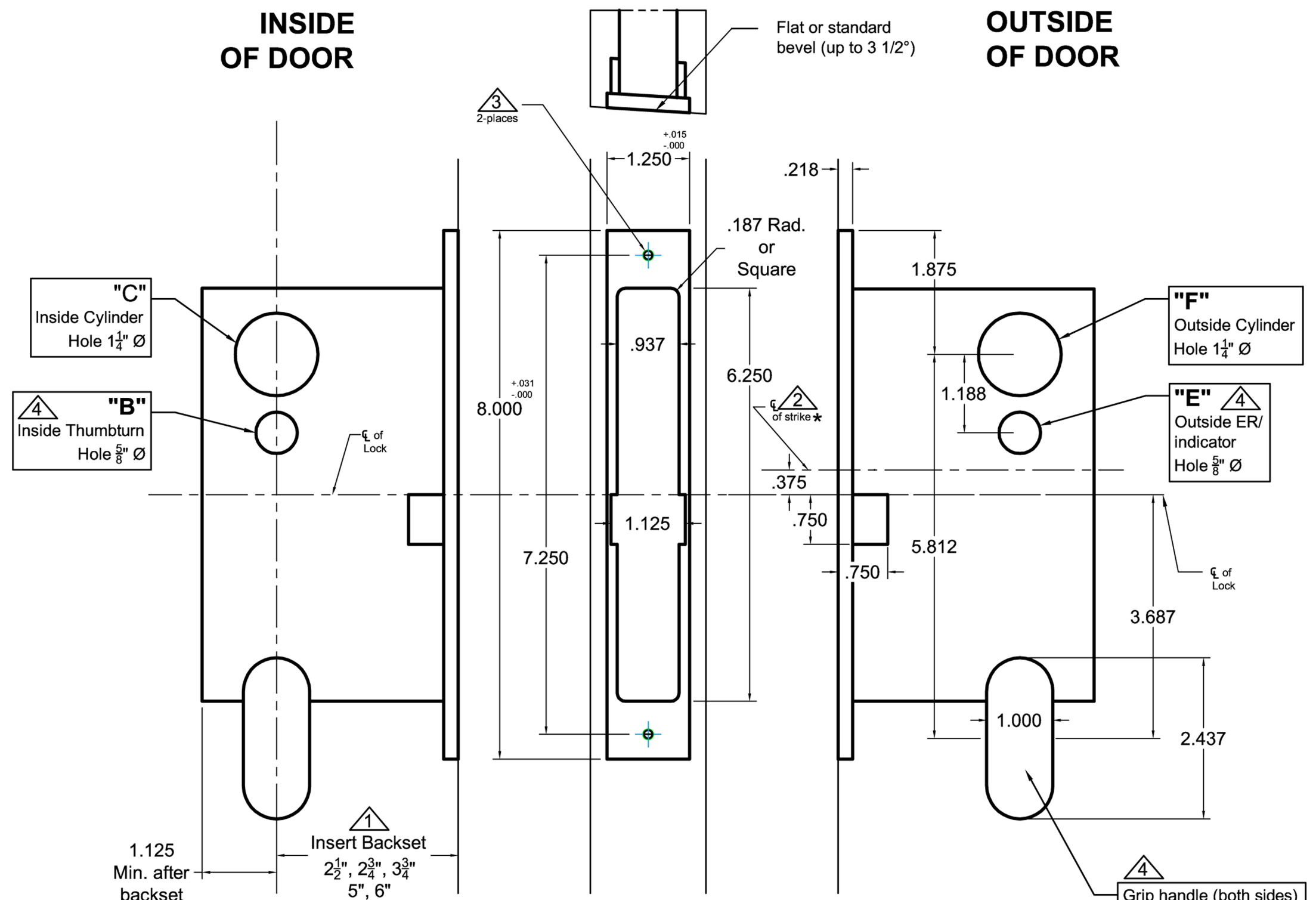


Lock Functions	Inside of door		Outside of door	
	"B" thumbturn = 5/8" dia.	"C" cylinder = 1 1/4" dia.	"E" ER or indicator = 5/8" dia.	"F" cylinder = 1 1/4" dia.
9122	●	●	●	●
9124	●	●	●	●
9125	●	●	●	●
9134	●	●	○	●
9139	●	●	○	●
9142	●	●	●	●
9143	●	●	●	●
9143E	●	●	●	●
9144	●	●	●	●
9144E	●	●	●	●
9145	●	●	●	●
9145S	●	●	●	●
9146	●	●	●	●
9148	●	●	●	●
9149	●	●	●	●
9153	●	●	●	●
9149	●	●	●	●
9156	●	●	●	●
9158	●	●	●	●
9159	●	●	●	●
9160	●	●	●	●
9167	●	●	●	●
9169	●	●	●	●
9158EL	●	●	●	●
9158EU	●	●	●	●
9159EL	●	●	●	●
9159EU	●	●	●	●

● Required Holes  
○ Optional Holes



- Notes:**
- ▲ Insert backset here 2 1/2", 2 3/4", 3 3/4", 5", or 6"
  - ▲ ASA strike details on template # T-ALH.ASA.STK
  - ▲ Prep for #12 wood or 12-24 machine screws
  - ▲ Grip handles, thumbturn and ER hole sizes may vary from different trim manufacturers. Please refer to their templates to confirm these dimensions.
- Additional Notes:**
- a) **Responsibility:** Door and frame manufacturers are responsible for providing adequate construction or re-inforcement for proper installation of hardware shown.
  - b) Please contact us if a double lip strike is needed - for a proper template
  - c) See catalog / spec sheets for additional lock details



Standard 9100 Thumbpiece x  
Thumbpiece- All Backsets

T-ALH.9100.TT