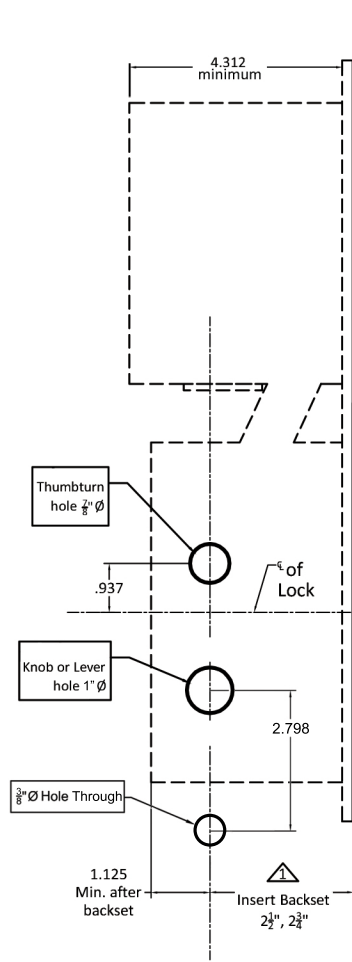
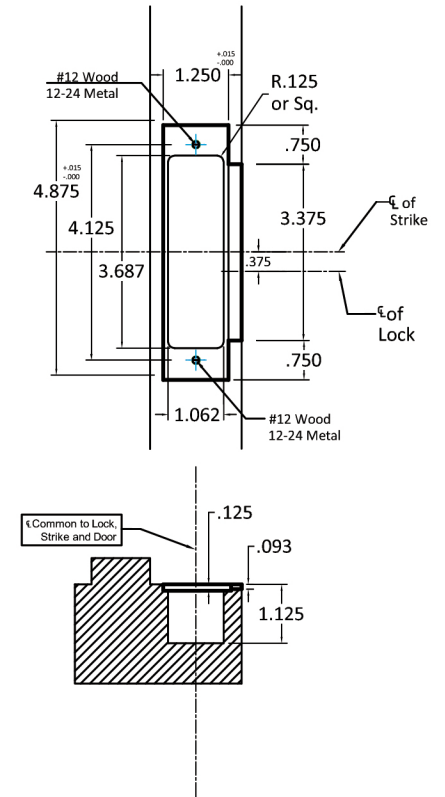
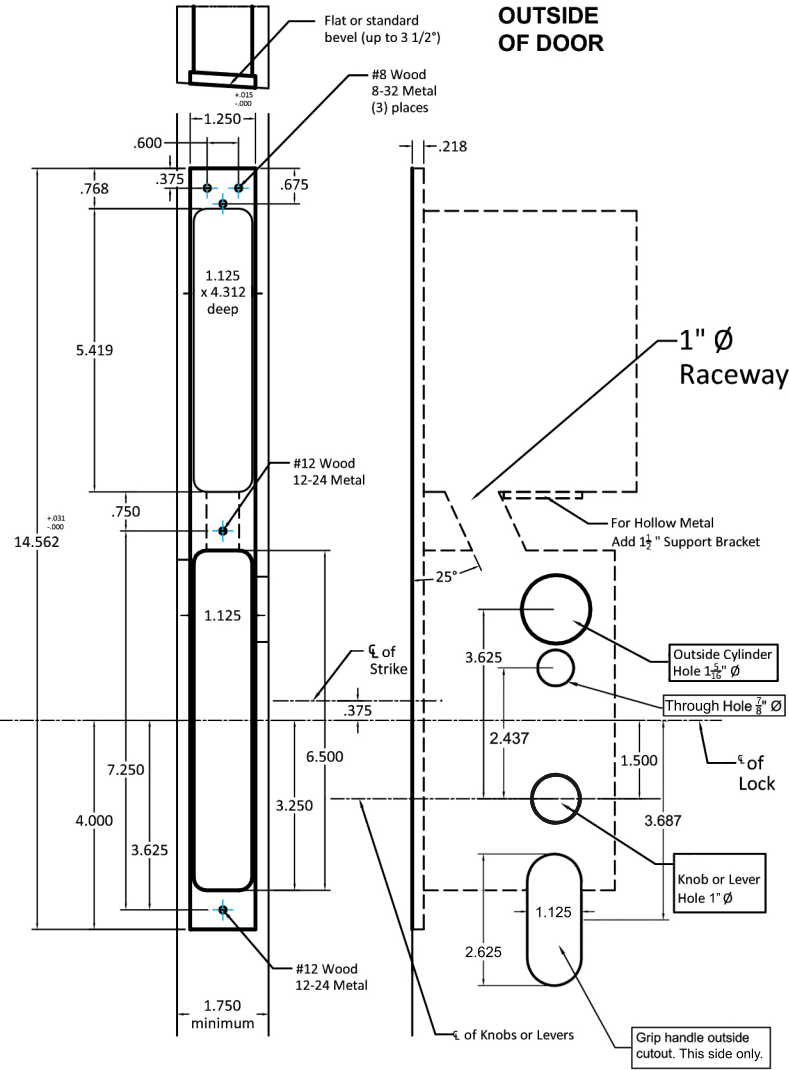


**INSIDE
OF DOOR**



**OUTSIDE
OF DOOR**



Notes:
 ▲ Insert backset here $2\frac{1}{2}$ ", $2\frac{3}{4}$ ", $3\frac{3}{4}$ ", 5", or 6"

Additional Notes:

- a) **Responsibility:** Door and frame manufacturers are responsible for providing adequate construction or re-inforcement for proper installation of hardware shown.
- b) See catalog / spec sheets for additional lock details



SM9159E x 5000TG
 Thumbpiece x Lever/Thumbpiece
 x Knob Template - All Backsets

T-ALH.SM9159E.5000TG