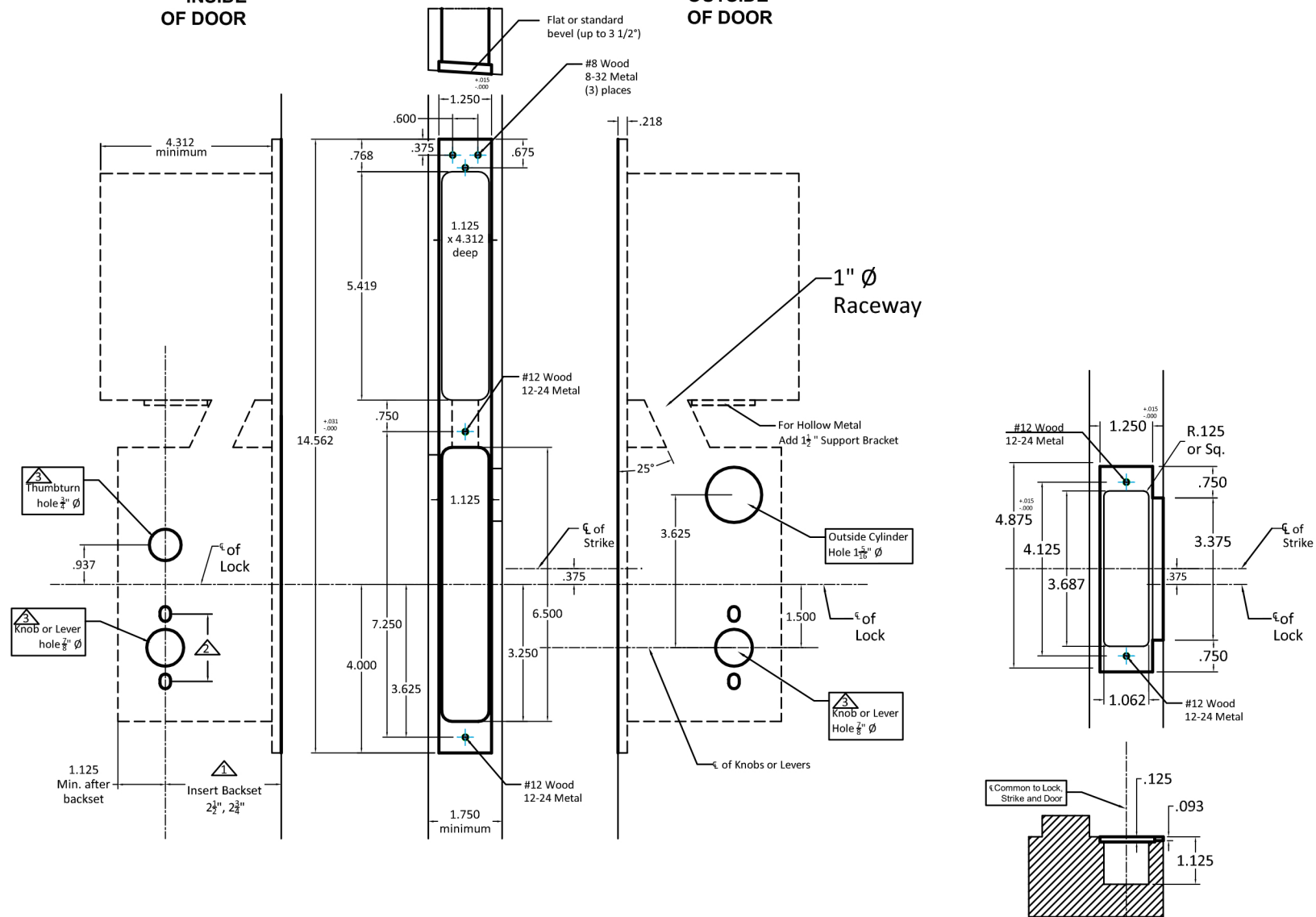


**INSIDE  
OF DOOR**

**OUTSIDE  
OF DOOR**

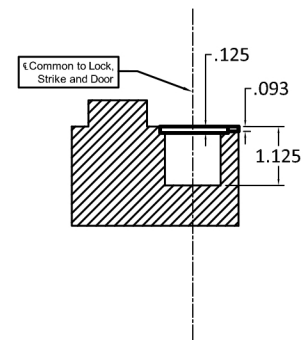


**Notes:**

- ▲ Insert backset here 2 1/2", 2 3/4"
- ▲ Thru bolting holes **ONLY** if required. See trim manufacturers standard template for details. Accurate lock's accommodates 1 1/2" to 1 13/16" center to centers and up to 3/4" dia. post. If there are any additional questions about the thru-bolting, please contact our office.
- ▲ Lever and thumbturn holes may vary from different trim manufacturers. Please refer to their templates to confirm these dimensions.

**Additional Notes:**

- a) **Responsibility:** Door and frame manufacturers are responsible for providing adequate construction or re-inforcement for proper installation of hardware shown.
- b) See catalog / spec sheets for additional lock details



SM9159E Lever x Lever  
or Knob x Knob Template  
All Backsets

T-ALH.SM9159E.LL