



SMARTENTRY™
by ACCURATE

SmartEntry™ SM9159E Series Smartphone Mortise Lock

SECURE, CONVENIENT, DESIGN DRIVEN

SMARTENTRY™ by ACCURATE

SM9159E SMART MORTISE LOCK

One of the first smartphone-operated systems for mortise locks, the SM9159E combines Accurate's mechanical expertise with industry leading technology. The battery-powered smartlock features keyless entry via Bluetooth® communication that is controlled by a proprietary app for ease and convenience. Keeping design top of mind, this lock is compatible with any style trim and has no exposed electronics.

PRODUCT + BENEFITS

- All components hidden inside mortise pocket
- Fully customizable – pair with virtually any style architectural trim
- Battery powered for easy installation. Door does not require any wiring
- Lock and unlock the door and grant keyless entry via smartphone app

HOW IT WORKS



AN
Best of
Products
Winner

2020
D P O H A
PRODUCT OF THE YEAR
Winner

SMARTENTRY™

by ACCURATE



iOS + Android compatible



Control lock remotely from anywhere in the world



Local access via Bluetooth®



Compatible with standard trim configurations (LxL, TPxK, etc.)



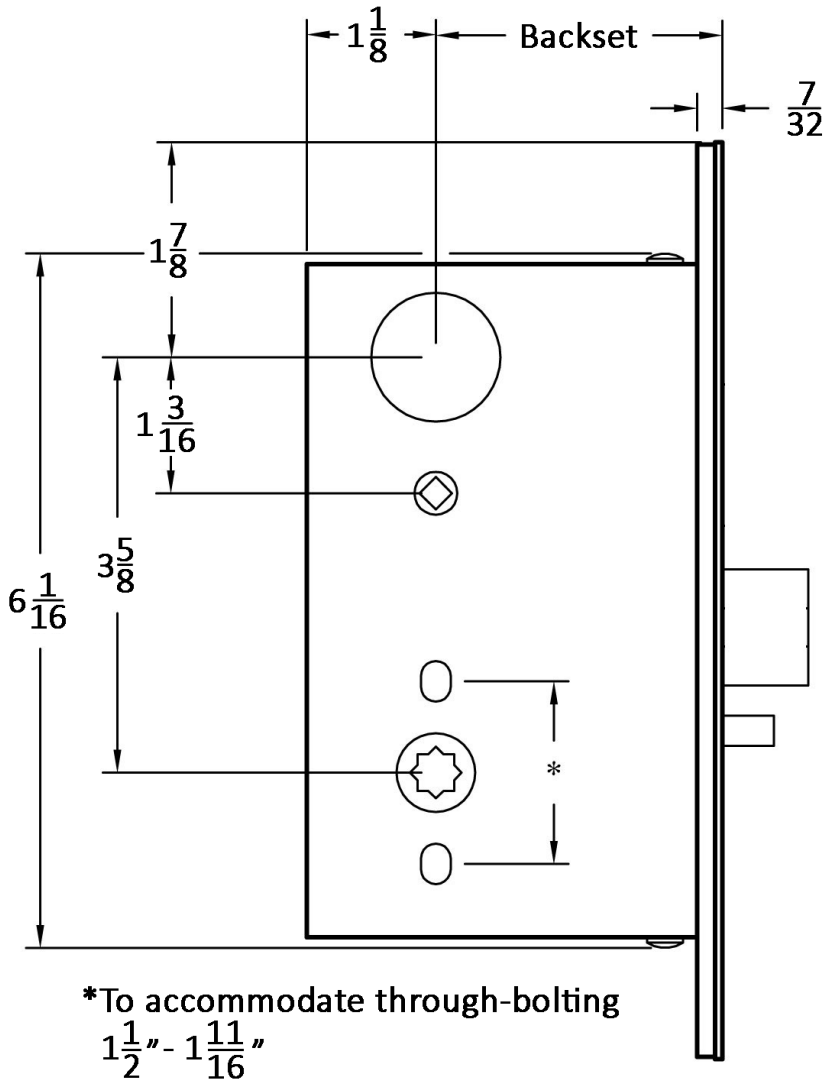
Admin can provide access to up to 25 users 24/7 or on a schedule



Battery operated with app indicator



SM9159E Series | Technical Details



UL Listed 3 Hour (Mechanics R13846/R27504 and Electronics R10121).
High Security Mortise Lock (furnished standard).*
Grade 1 Certified to ANSI/BHMA A156.13.2005 Standard.
Exceeds ASTM F1577-95b Security Grade 1 (2,400 Impacts).

BACKSET: 2 $\frac{1}{2}$ ", 2 $\frac{3}{4}$ " backset standard; larger backsets available as a special order.

CASE: Heavy Gauge, Plated Steel ($\frac{15}{16}$ " thick)

LATCH BOLT: Solid stainless steel latch bolt, 1" tall, $\frac{3}{4}$ " throw

STRIKE: 4 $\frac{7}{8}$ " ASA. Supplied with Security Strike

HUBS: Available in different sizes to be compatible with various trim options

THUMB TURN HUB: $\frac{3}{16}$ " (5mm) on the diamond

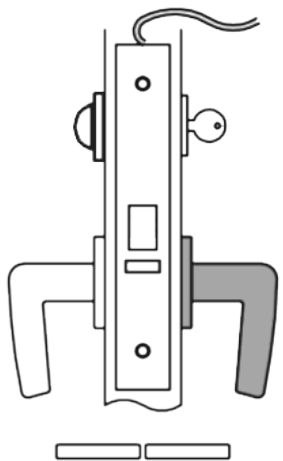
DUST BOX: Brass, stainless steel, or US10B

ARMOR FRONT: Stainless steel with adjustable bevel
Supplied with 14 $\frac{9}{16}$ " tall face plate to cover battery mortise pocket

For use with levers, knobs, thumb grip x lever, thumb grip x knob, or thumb grip x thumb grip.

*Grade 1 Mortise Lock with anti-friction bolt also available.

SM9159E Series | Operation



OUTSIDE:

Latch by lever outside after handle is unlocked with smart phone or fob. Outside lever remains unlocked unless user changes settings to have the lever automatically re-lock. If Outside handle is unlocked, phone or fob used to re-lock. If lock is electronically disabled (Secure Mode) on home screen or in settings, outside lever automatically locks and latch bolt can only be retracted by key. When lock is in Secure Mode, outside lever will remain locked at all times.

INSIDE:

Latch by lever inside always. When inside lever retracts latch, outside lever unlocks (similar to 9124) unless user changes settings to have lever automatically re-lock (similar to 9148). Rotating thumb turn locks the outside handle and thumb turn springs back to home position. Thumb turn will NOT unlock the outside lever.

STATUS:

Latch bolt monitor- confirms that latch bolt is fully projected

Stop bar monitor- confirms that outside handle is locked

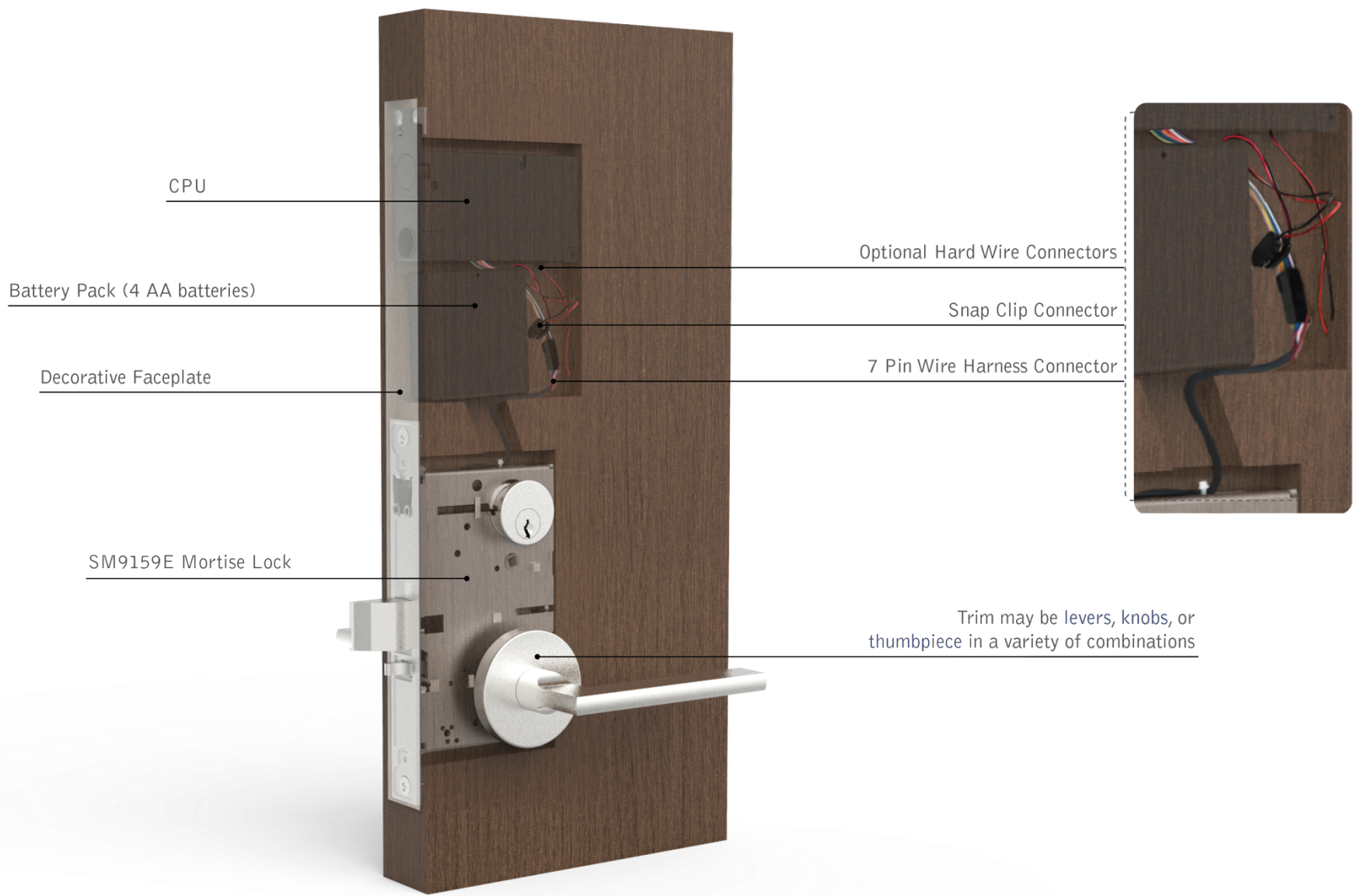
GENERAL NOTES:

System uses Bluetooth when in proximity and Ethernet Bridge when remote.

Lock operated by 4 AA batteries with low battery warning in app. To replace the batteries simply remove armor plate on edge of door and access the battery pack.

Lock can also be powered with traditional hard wired power supply up to 24 volts. Please specify if you are using it this way.

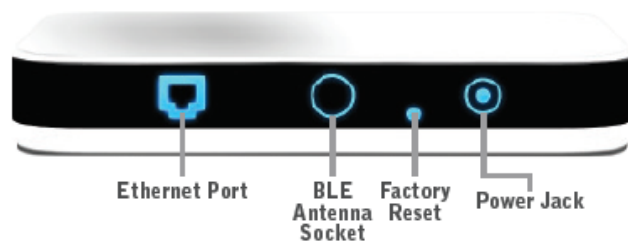
SM9159E Series | Components



SM9159E Series | Components

SUPPLIED STANDARD

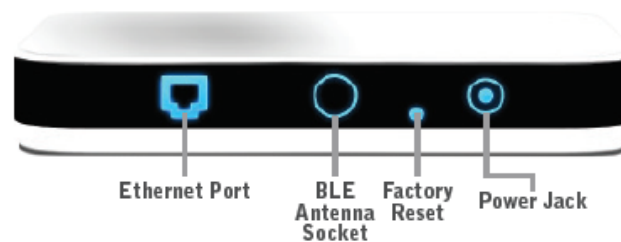
ETHERNET BRIDGE



Includes:

- Ethernet Cable (3 feet long)
- BLE Antenna
- Power Supply 5V@1A
- Product Information Label

RANGE EXTENDER



Includes:

- BLE Antenna
- Power Supply 5V@1A
- Product Information Label



SM9159E Series | Optional Components

Available as optional accessories for an additional charge, please contact your local distributor.

SMARTENTRY KEYFOB

(SM-FB)



DISCONTINUED

Dimensions
2-1/8" H x 1-1/8" W

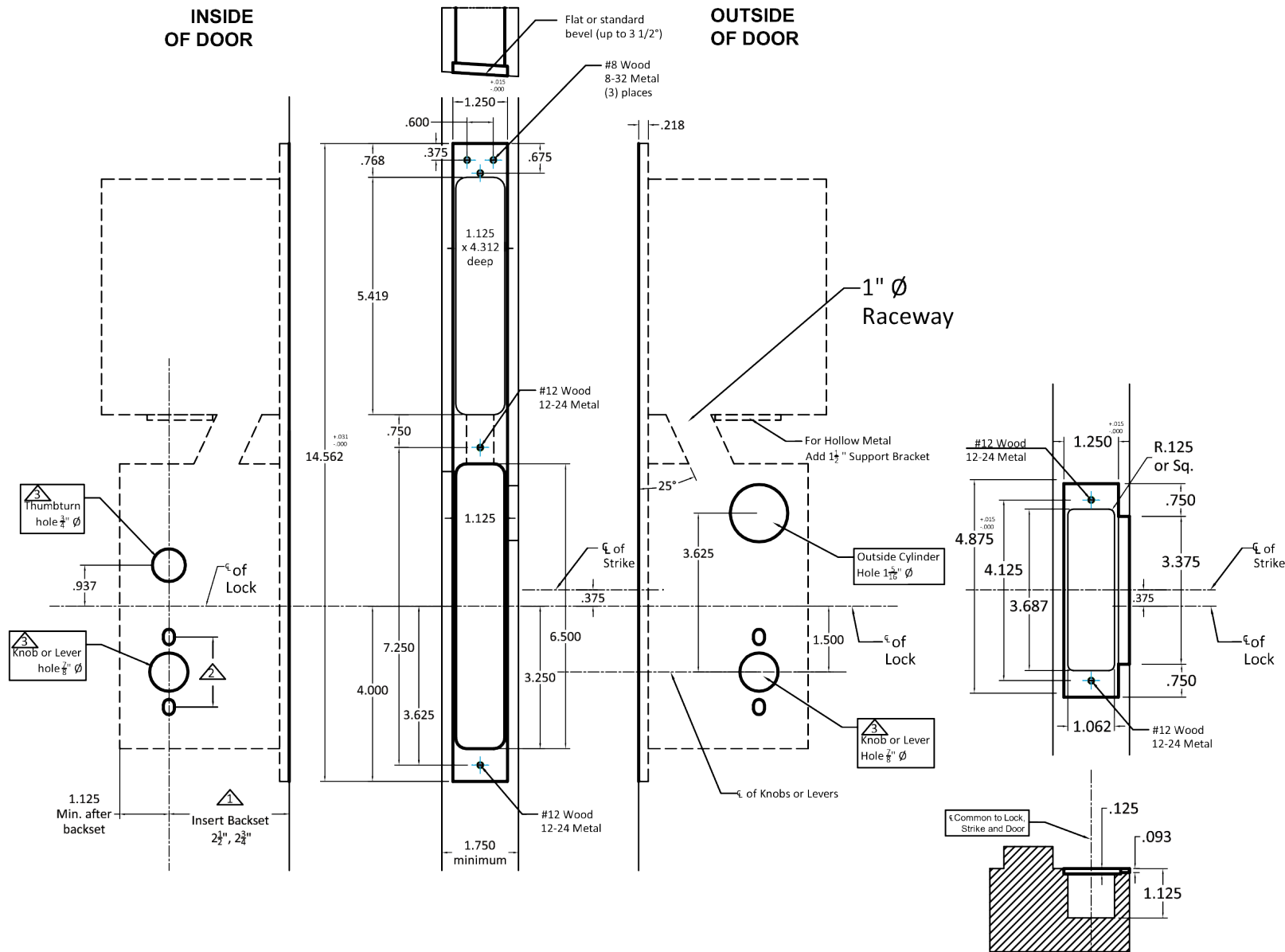
SMARTENTRY KEYPAD

(SM-KP)



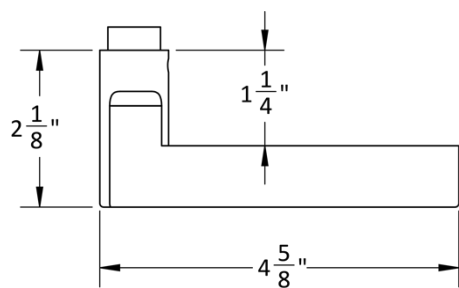
Dimensions
5-1/4" H x 2-1/8" W x 13/16" D

SM9159E Series | Door Preparation

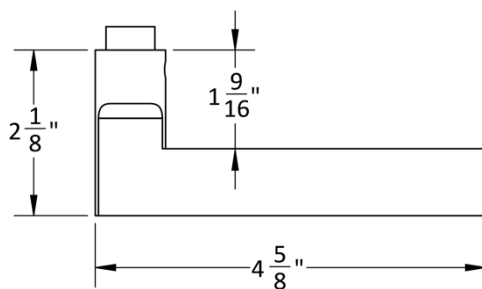


Accurate Lever Trim

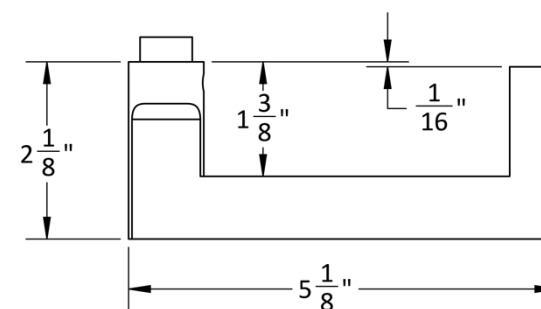
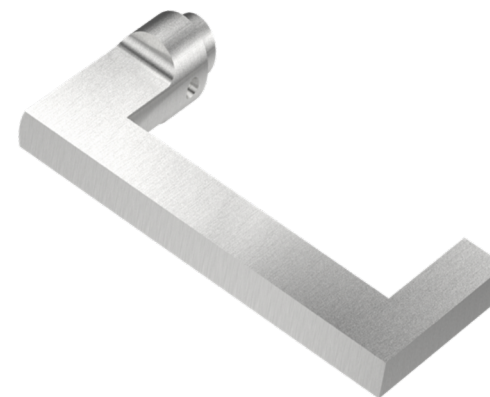
18L LEVER



19L LEVER

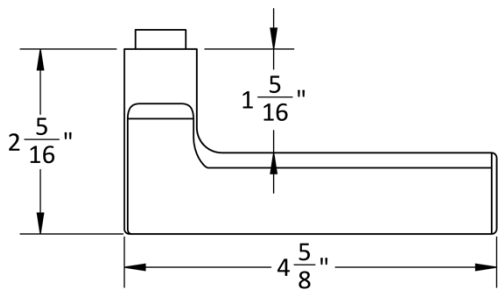


20L LEVER

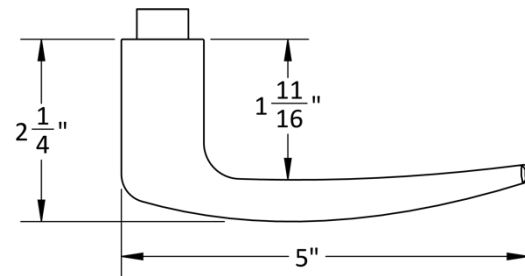


Accurate Lever Trim

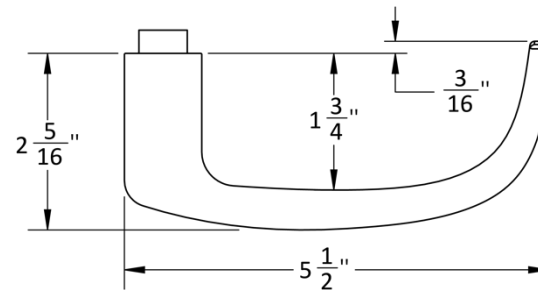
21L LEVER



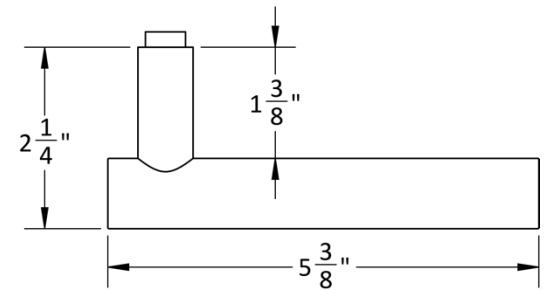
29L LEVER



39L LEVER

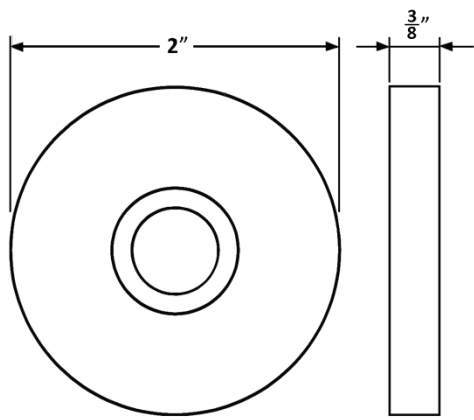
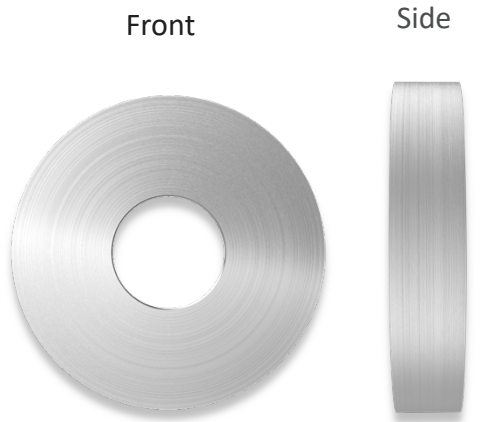


72L LEVER



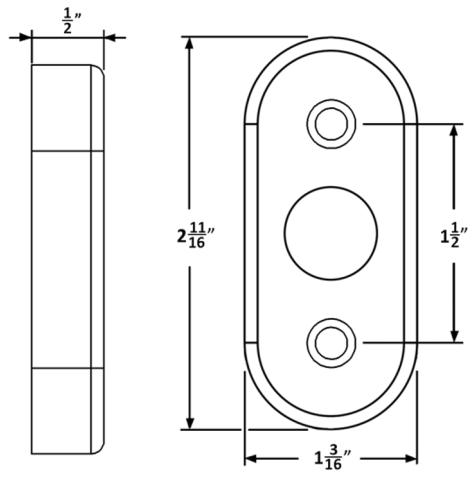
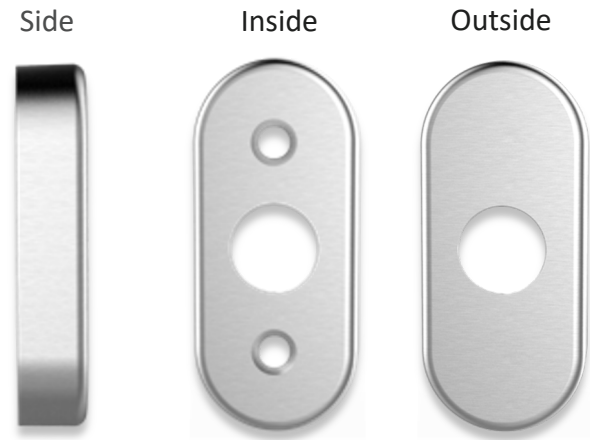
Accurate Sectional Trim: Roses

1R ROSE

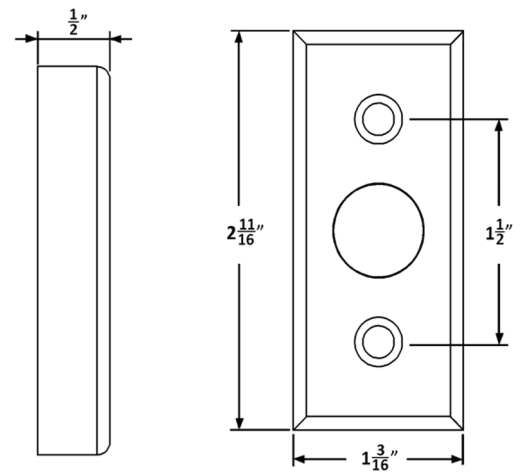
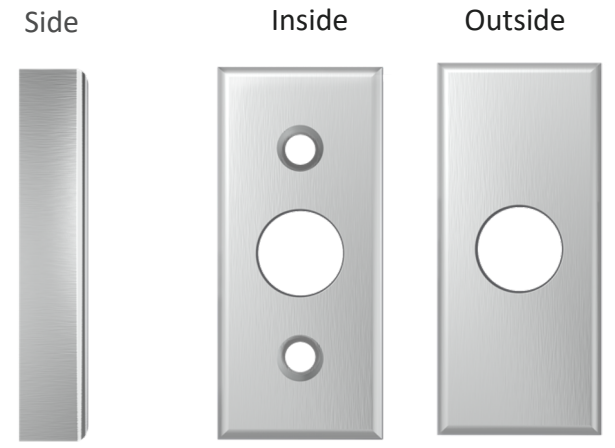


SILENTPAC™ LEVER DAMPENING DISC CAN BE SPECIFIED WITH THE 1R ROSE VISIT SILENTPACSOLUTIONS.COM

2R ROSE

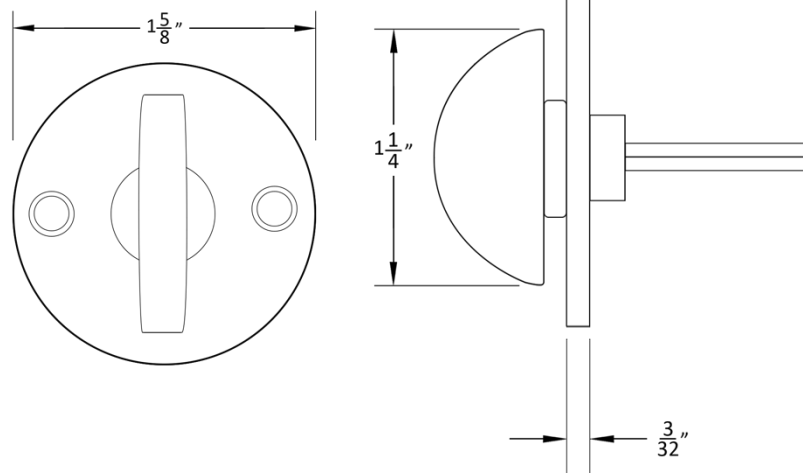


4R ROSE

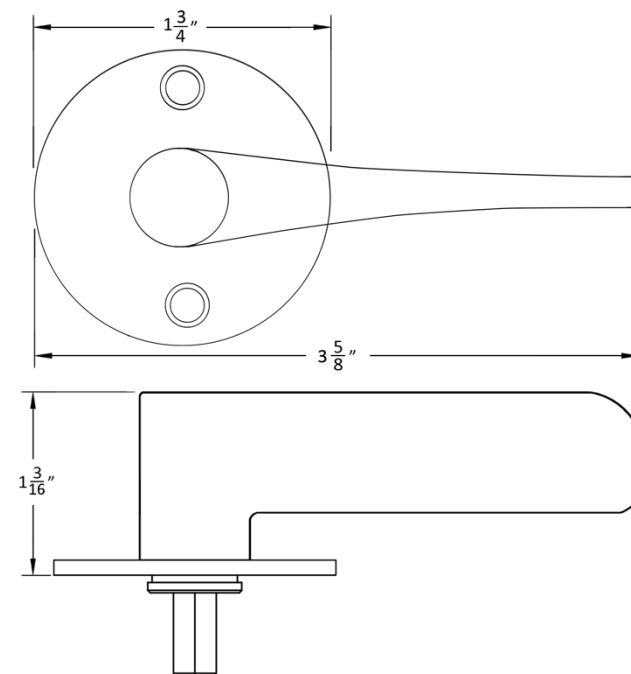


Accurate Sectional Trim: Thumb Turns

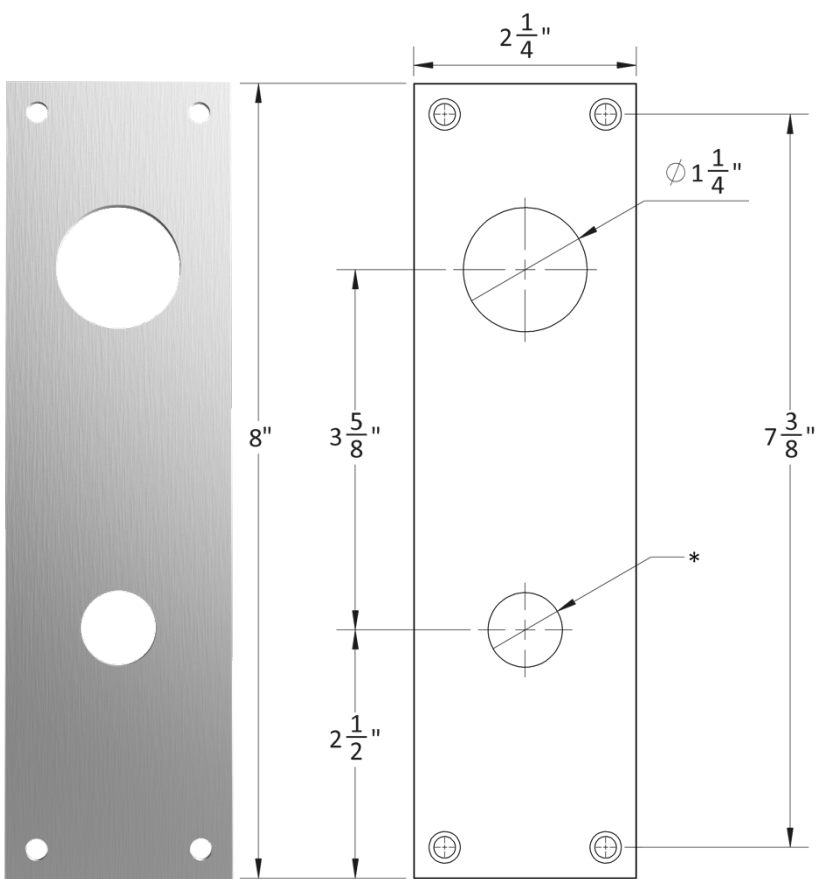
GF1106



7200ADA



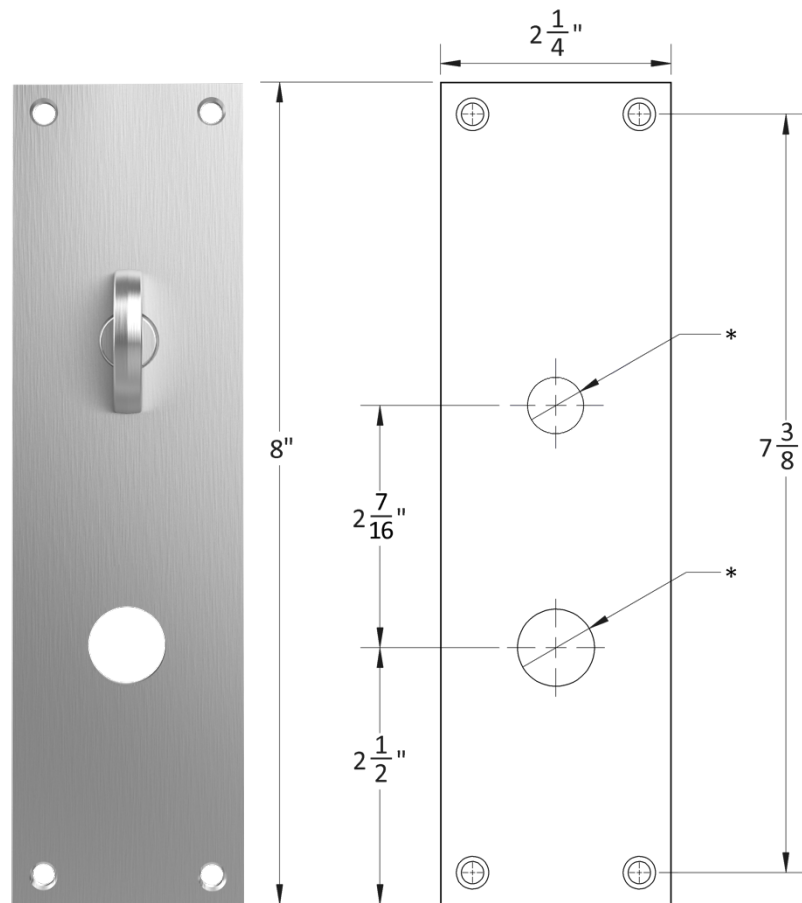
Accurate Escutcheons: 1E-C x 1E-T



1E-C

Cylinder
Cutout

* Dimensions may vary depending on trim



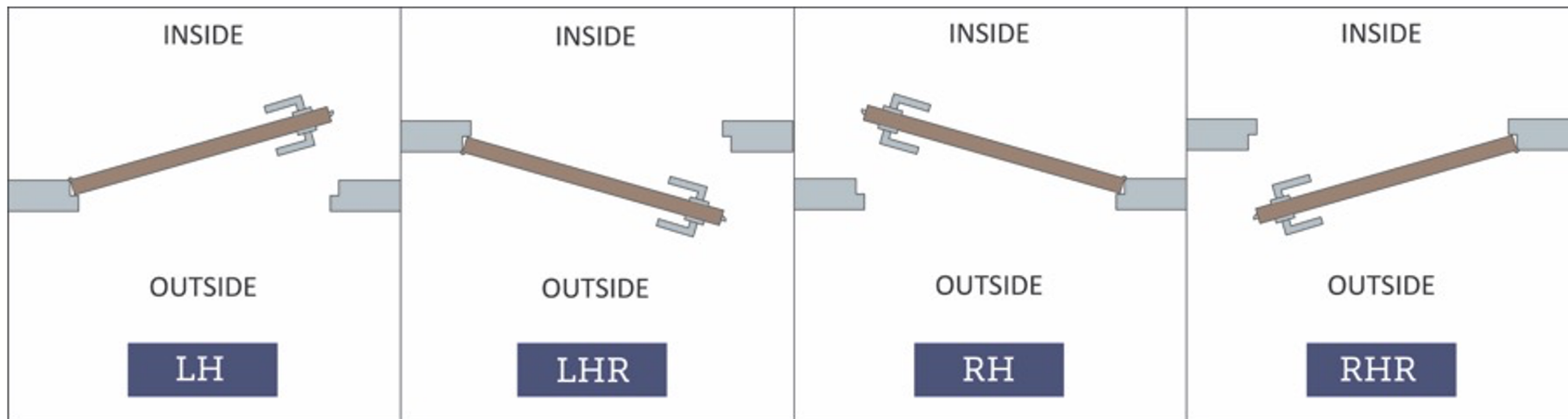
1E-T

Thumb Turn

* Dimensions may vary depending on trim

HOW TO SPECIFY

HANDING



FINISHES

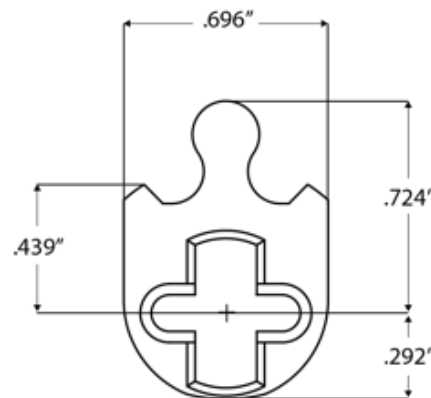
GROUP 1: US4, US4NL, US32D*, US26D

GROUP 2: US3, US3NL, US26, US32*, US9*, US10*, US10B, US14, US15, US19

GROUP 3: BN, BB, TN, TB, DURO, ESN, US15A, US5

* Trim options (including Accurate Levers) may not be available in US32D, US32, US9, or US10 finish. Please call for assistance.

To view example of finishes visit: [Accurate Finishes](#).



CYLINDERS & KEYING

SM9159E Series locks accept any standard American mortise cylinder. For details on required cams and compatibility with other manufacturers' cylinders, please visit: [Accurate Support](#).

HOW TO SPECIFY

SM9159E-SEC.BACKSET.TRIM.FINISH.HAND.DOORTHICKNESS

STANDARD

High Security Mortise Lock (SEC) provided standard (solid, stainless latch bolt).

OPTIONAL AF

Grade 1 Mortise Lock with anti-friction latch bolt.

BACKSET

2¹/₂" , 2³/₄" standard
Larger backsets available as a special order.

TRIM

- Accurate trim (see pg. 10-14)
- Specify other trim manufacturers and/or spindle size.

FINISHES

See available finishes (pg. 15)

EXAMPLES

SmartEntry Lock | Accurate Trim

E.g.: SM9159E-SEC.212.29L/1R.US19.RH.134

SmartEntry Lock (Grade 1) | Accurate Trim

E.g.: SM9159E-AF.212.29L/1R.US19.RH.134

SmartEntry Lock | Other Manufacturers' Sectional Trim* | 2 ¼" Thick Door

E.g.: SM9159E-SEC.234.LxL 8mm.US4.LH.214

*Note: Please call for assistance when using escutcheon trim

SPECIAL OPTIONS AVAILABLE

- USD K x K Upside Down (cylinder/thumb turn below knobs)
- USD L x L Upside Down (cylinder/thumb turn below levers)

**ACCURATE LOCK & HARDWARE
MANUFACTURERS OF LOCKS AND
CUSTOM ARCHITECTURAL HARDWARE**

1 Annie Place | Stamford, CT 06902

P: 203.348.8865

F: 203.348.5234

E: sales@accuratelockandhardware.com

www.accuratelockandhardware.com



**AMERICAN CRAFTED
— SINCE 1972 —**