



ACCURATE  
LOCK & HARDWARE  
AMERICAN CRAFTED SINCE 1972

---

7800 SERIES DEADLATCHES

# 7800 SERIES DEADLATCHES TECHNICAL DETAILS

- With optional Hold Open Features
- For use in schools, public restrooms, teller gates, vestibules, closets, storage rooms
- For use with electric strikes
- Also offered for marine use

## LATCH BOLT HELD RETRACTED BY STOP IN FRONT

**7802** By key outside, handle inside

**7802 ¼** By key either side

## CYLINDER HOLD BACK OF LATCH BOLT AVAILABLE

**7804** By key outside, handle inside. No hold back feature.

**7804 ¼** By key either side. No hold back feature.

**H7804** By key outside, handle inside. Latch bolt held retracted by depressing, then turning outside key.

**H7804 ¼** By key either side. Latch bolt held retracted by depressing, then turning inside key.

**H7805 ¼** By key either side, handle inside. Latch bolt held retracted by depressing, then turning inside key.

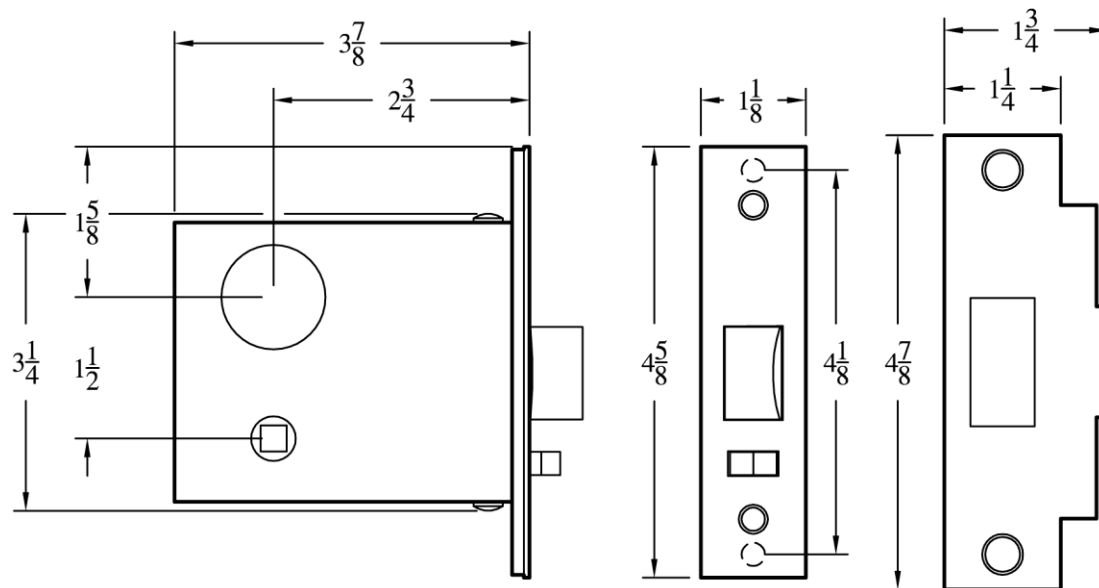
*\*Numbers are for specification and door preparation purposes – Inside and Outside trim must be specified separately*

**CASE:** Heavy gauge steel (15/16" thick)

**ARMOR FRONT:** Adjustable bevel. Brass, bronze, or stainless steel

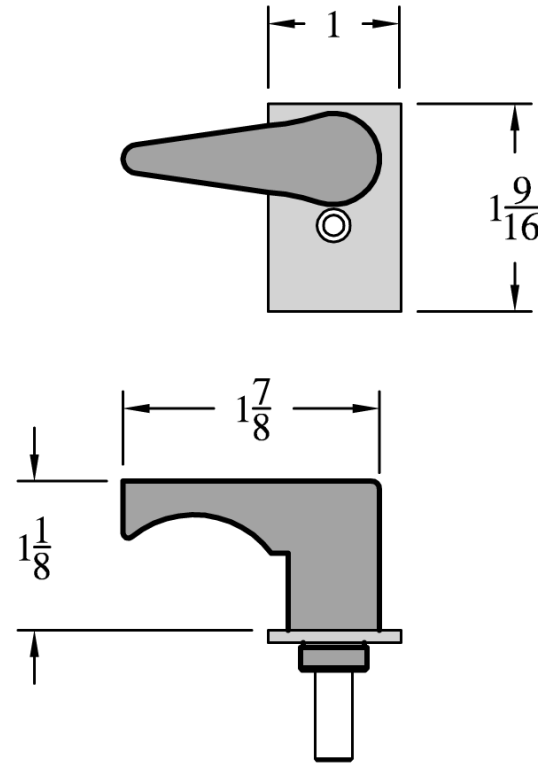
**LATCH BOLT:** Bronze – 5/8" x 1" x ½" throw

**FOR MARINE USE:** For locks completely made of stainless steel and other non-ferrous materials, prefix part number with SS (e.g. SS H7804)



# 7800 HANDLE

- 7800 Handle available and furnished at extra cost – please specify
- A modified version of the 7800 handle is offered to meet California code (P/N 7800CA)



**ACCURATE LOCK & HARDWARE  
MANUFACTURERS OF CUSTOM LOCKS  
AND ARCHITECTURAL HARDWARE**

1 Annie Place | Stamford, CT 06902

**P:** 203.348.8865

**F:** 203.348.5234

**E:** sales@accuratelockandhardware.com

**www.accuratelockandhardware.com**



**AMERICAN CRAFTED  
— SINCE 1972 —**