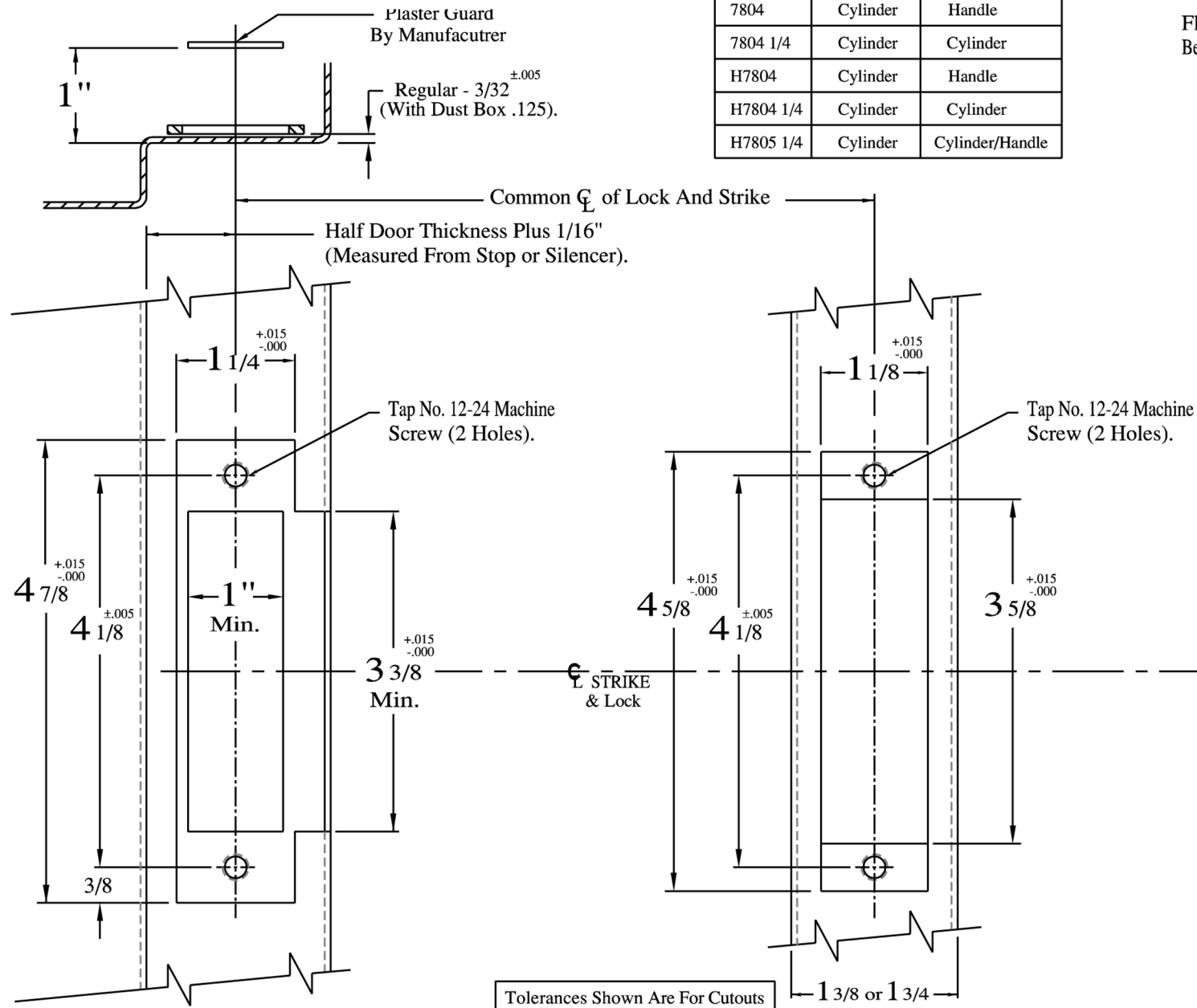
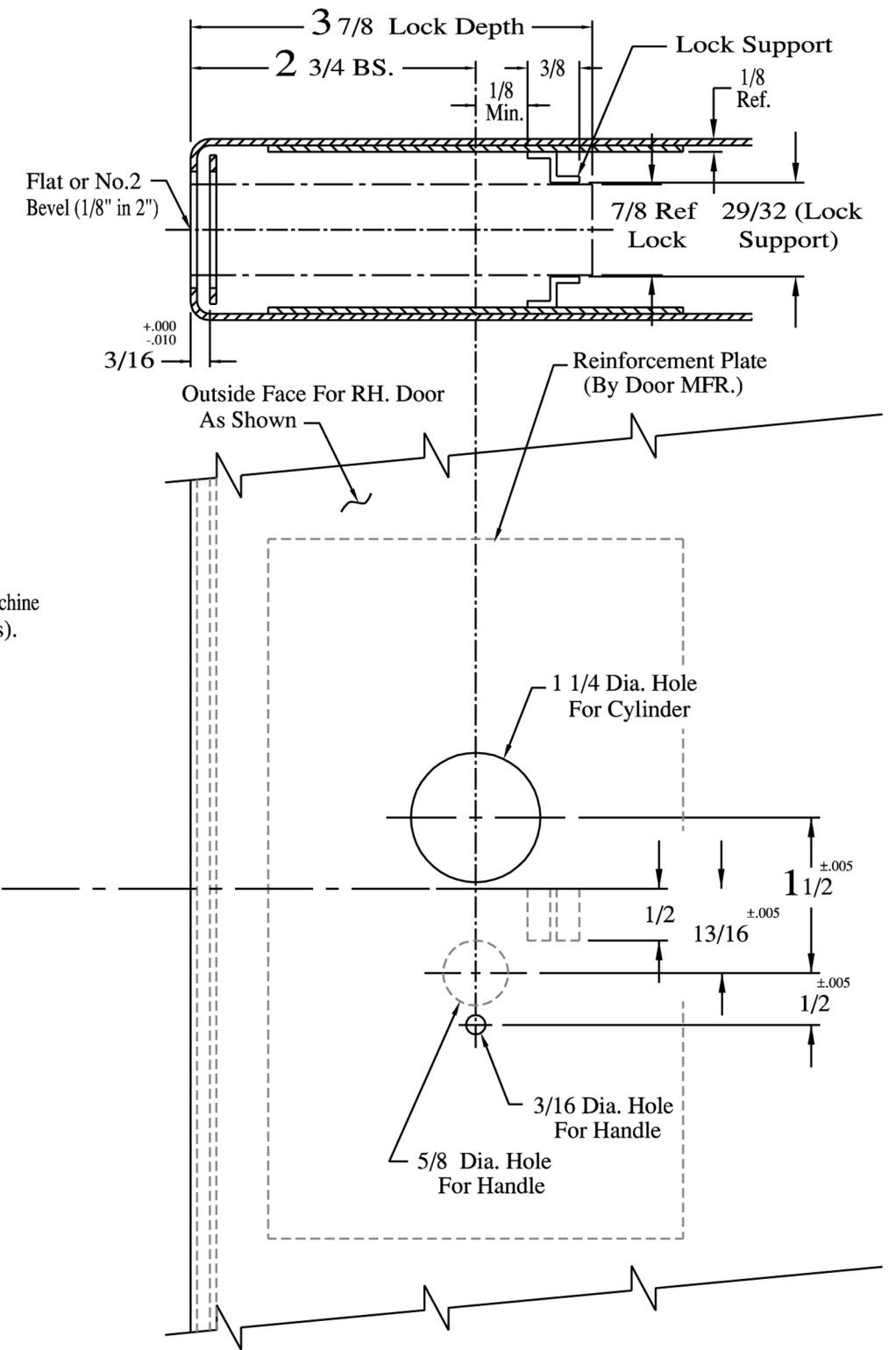


Lock	Holes In Door	
	Outside	Inside
7802	Cylinder	Handle
7802 1/4	Cylinder	Cylinder
7804	Cylinder	Handle
7804 1/4	Cylinder	Cylinder
H7804	Cylinder	Handle
H7804 1/4	Cylinder	Cylinder
H7805 1/4	Cylinder	Cylinder/Handle



Tolerances Shown Are For Cutouts
 All Dimensions Given About CenterLines
 Must Be Central With Tolerance
 Unless Otherwise Specified.



7800 Series Deadlocks
 with 2 3/4" Backset

T-ALH.7800DL.234