

7200L Active lever
Emergency egress
(pulls back deadbolt)

RH Door
Shown
(handing
required)

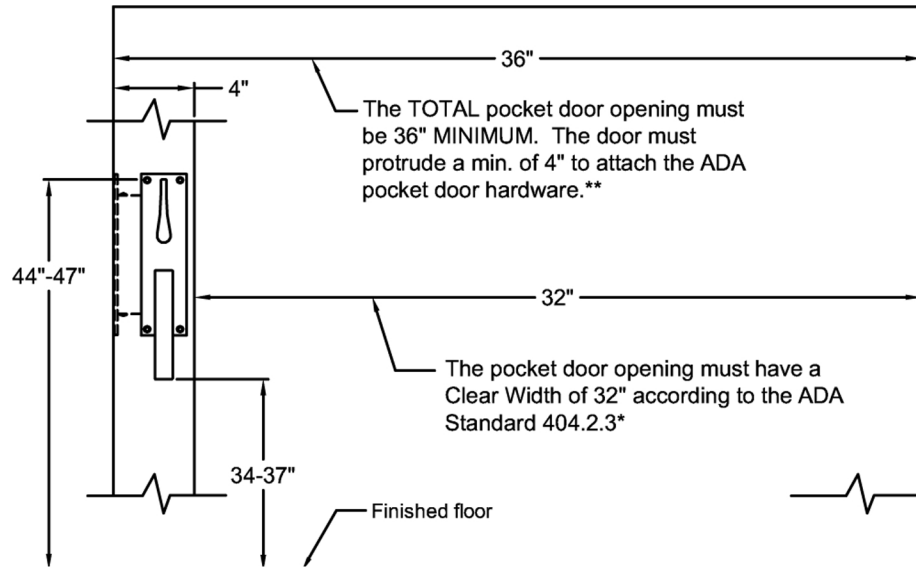
7200L-D
Fixed Lever

ASADB.STK³

1 3/4" thick door
Standard²

Screw Pack

- (1) Spindle
- (1) 6500 Spring
- (4) 8-32 post
- (8) 8-32 x 3/4 Oval Head Screws
- (4) 12-24 Flat Head Combo Screws



* The ADA Standard 404.2.3* is from the Dept of Justice ADA Publication of Sept 15, 2010. Accurate Lock and Hardware Co. LLC recommends verification of all State and Federal standards applicable for a particular project.

** The total opening has to be 4" greater than the Federal "Clear Width" dimension to work properly

*** The Bottom of the 7200L /7200L-D lever must be installed w/ 34"min-37" from the finished floor. This will give 44-47" (the max is 48") from the finished floor to top of 7200ADA handle, thus meeting Code 404.2.7.

1. 9100SDL also available in 2 3/4, 3 3/4, 5, and 6" backsets.
2. Please advise if the door thickness differs from 1 3/4".
3. The ADADB.STK Strike is installed 3/8" above the centerline of the lock
4. Handing Required for 9100ADAL-5i - See Template #T-9100ADAL-5i and the catalog page for additional information

9100ADAL-5i
ADA Sliding / Pocket Door

Spec.9100ADAL-5i