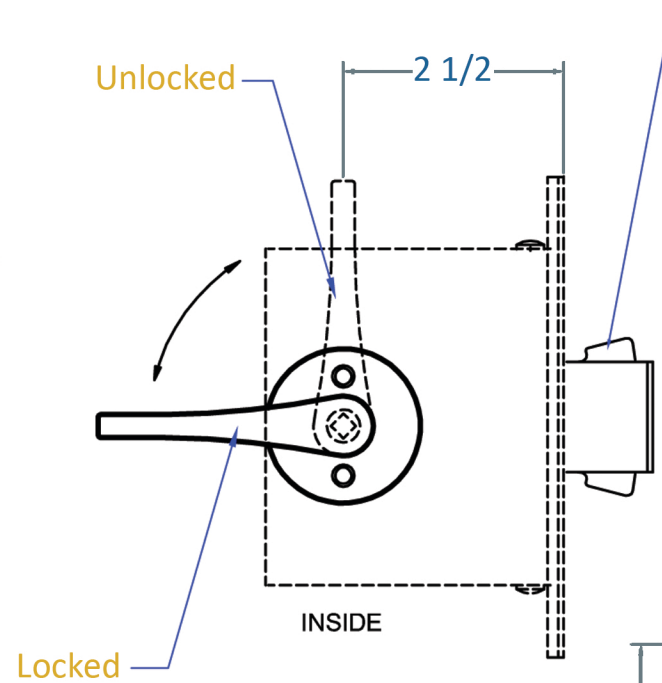
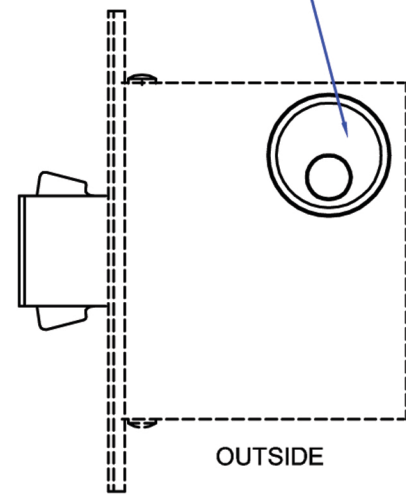


C7185 Cylinder w/ Collar  
(or Cylinder/Collar by Others)

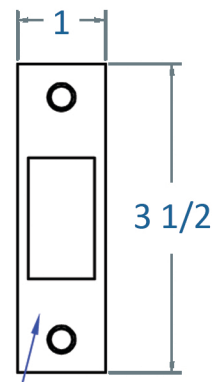


Heavy Duty  
SS "Hooks"

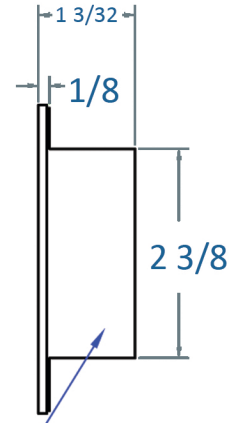
3 1/8

7200ADA  
Handle

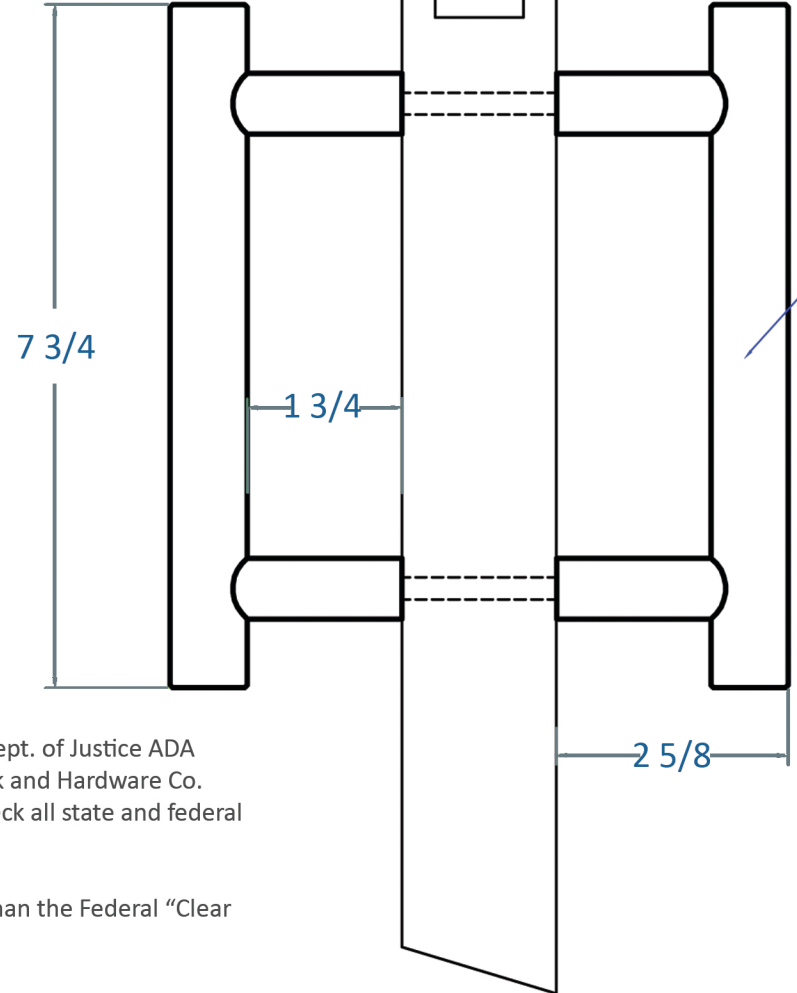
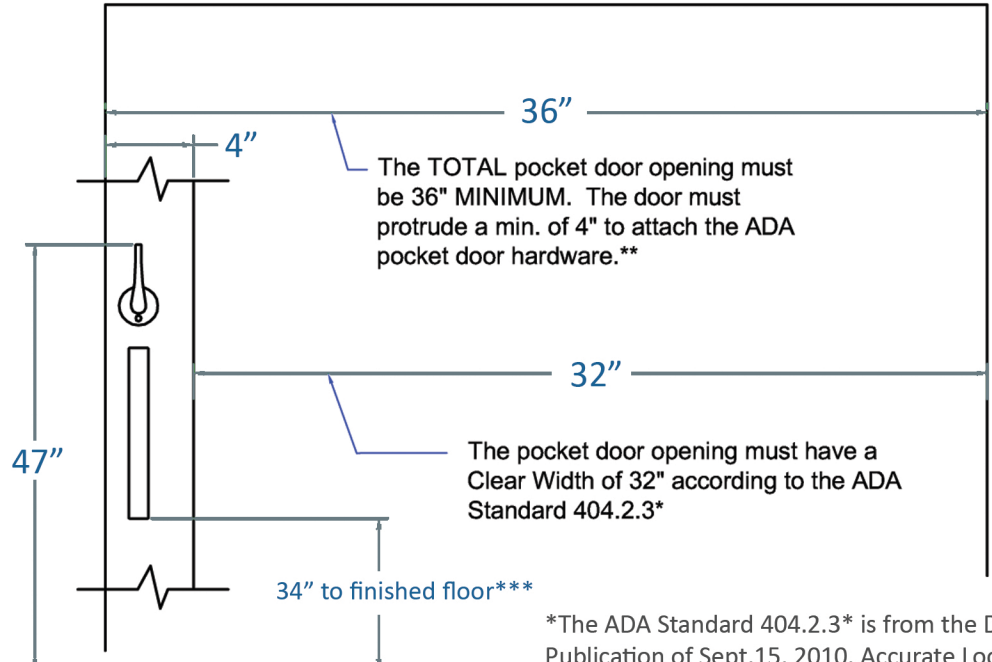
2001.212  
Sliding Door  
Lock  
(5 1/2" x 1"  
faceplate)



2001SD  
Strike



2001DB  
Dust Box



\*The ADA Standard 404.2.3\* is from the Dept. of Justice ADA Publication of Sept.15, 2010. Accurate Lock and Hardware Co. LLC encourages the end user to double check all state and federal standards for your particular project.

\*\*The total opening has to be 4" greater than the Federal "Clear Width" dimension to work properly.

\*\*\*The bottom of the 7200P pull handle must be installed 34" from the finished floor. This will give 48" (the maximum) from the finished floor to top of 7200ADA handle, thus meeting Code 404.2.7.

\*\*\*\* **Occupancy indicator:** if an occupancy indicator is needed, please substitute the 7200ER with a #7200ER-i. If you have questions please call for details.

Parts List			
QTY	Part Number	Finish	Description
1	2001.212		Sliding door lock 2 1/2 BS
1	7200ADA		Inside ADA Handle
1	Cylinder/Collar		Accurate C7185 / OR by OTHERS
1	2001SD		Strike Plate
1	2001DB		Dust box
1	7200P		Back to Back ADA Pull



2001ADAP-3  
ADA Thumbturn x Cylinder x Back to Back Pulls

Spec. 2001ADAP-3