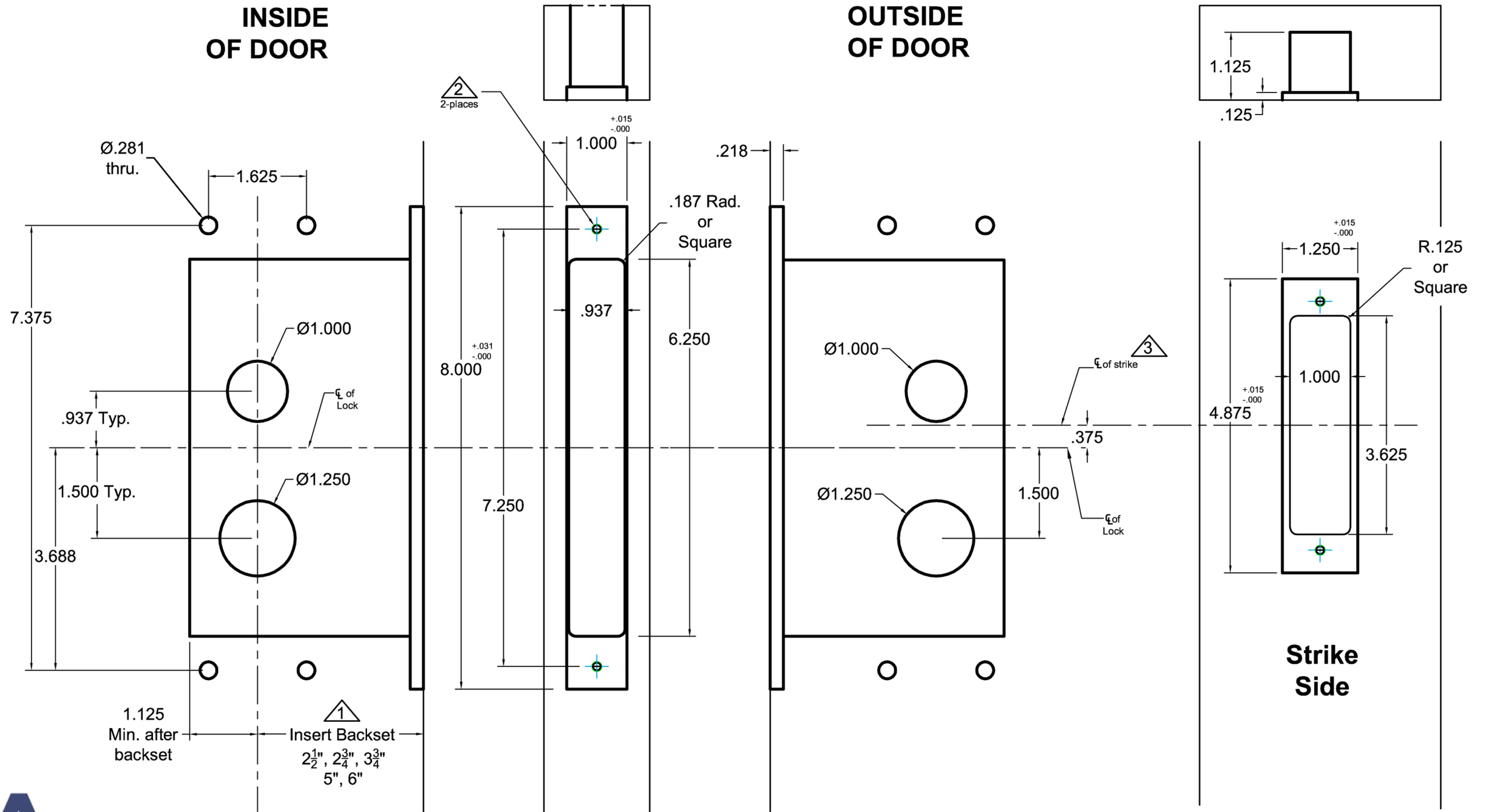


**INSIDE
OF DOOR**

**OUTSIDE
OF DOOR**



ACCURATE
LOCK & HARDWARE
AMERICAN CRAFTED SINCE 1972

Notes:

- 1 Insert backset here 2 1/2", 2 3/4", 3 3/4", 5", or 6"
- 2 Prep for #12 wood or 12-24 machine screws
- 3 Centerline of strike is 3/8" above centerline of lock

Additional Notes:

- a) **Responsibility:** Door and frame manufacturers are responsible for providing adequate construction or re-inforcement for proper installation of hardware shown.
- b) See catalog / spec sheets #SL9139ADA for additional lock details

Standard SL9039iADA
All Backsets

T-ALH.SL9039iADA