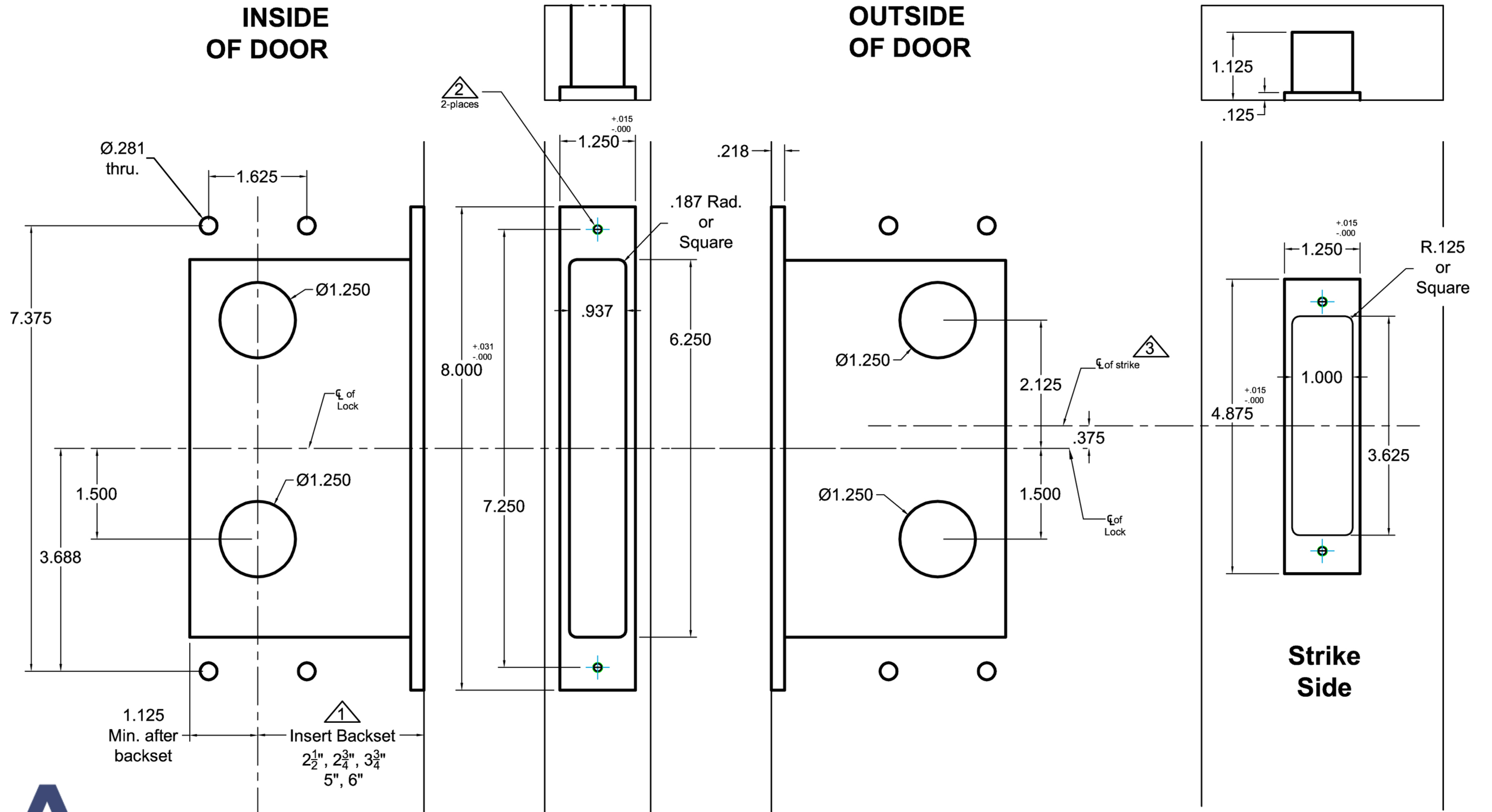


**INSIDE  
OF DOOR**

**OUTSIDE  
OF DOOR**



**Notes:**

- ⚠ Insert backset here 2 1/2", 2 3/4", 3 3/4", 5", or 6"
- ⚠ Prep for #12 wood or 12-24 machine screws
- ⚠ Centerline of strike is 3/8" above centerline of lock

**Additional Notes:**

- a) **Responsibility:** Door and frame manufacturers are responsible for providing adequate construction or re-inforcement for proper installation of hardware shown.
- b) See catalog / spec sheets #SL9122ADA for additional lock details



Standard SL9122ADA  
All Backsets

T-ALH.SL9122ADA