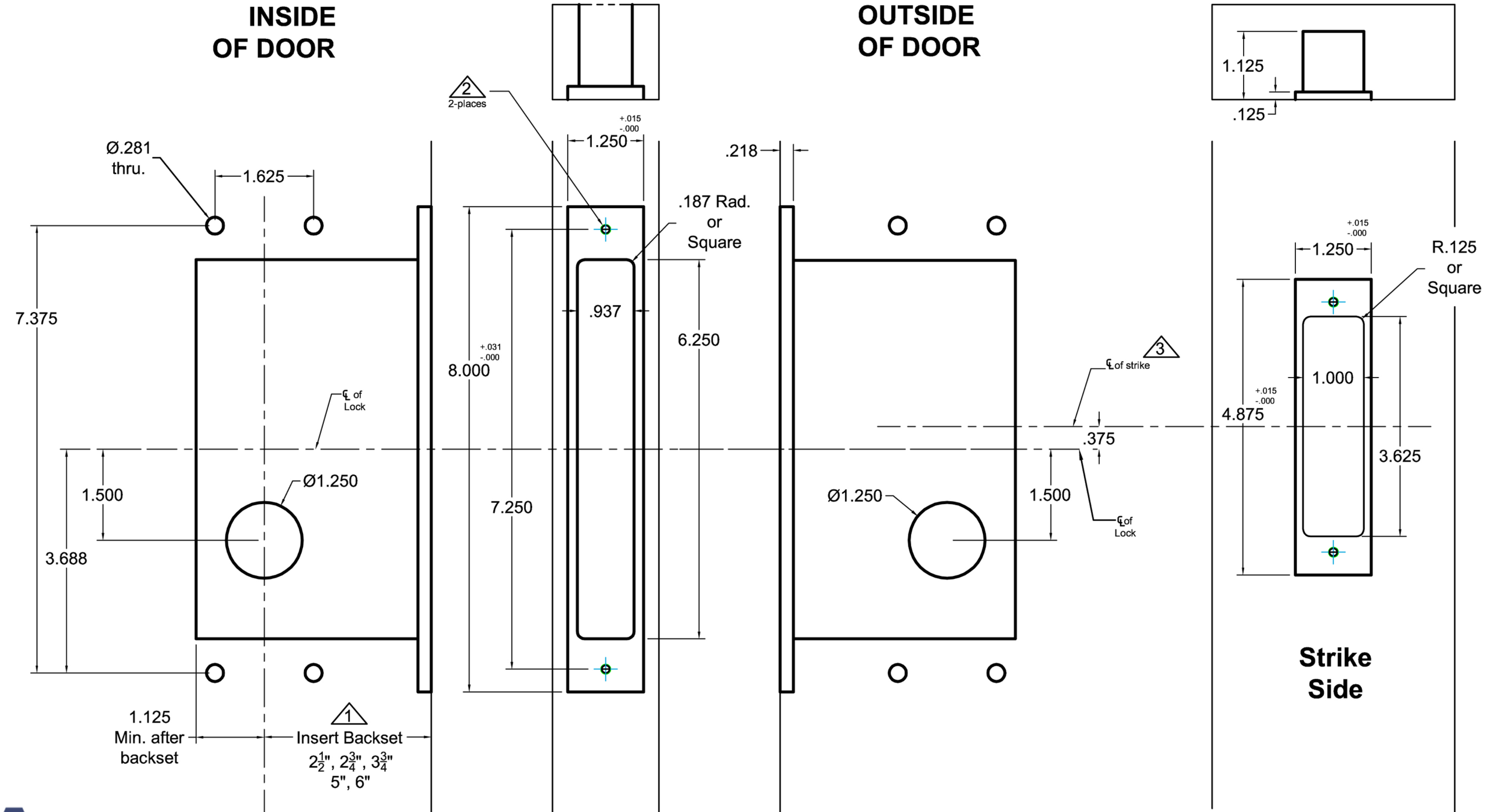


**INSIDE
OF DOOR**

**OUTSIDE
OF DOOR**



Notes:

- 1 Insert backset here $2\frac{1}{2}"$, $2\frac{3}{4}"$, $3\frac{3}{4}"$, 5", or 6"
- 2 Prep for #12 wood or 12-24 machine screws
- 3 Centerline of strike is $\frac{3}{8}"$ above centerline of lock

Additional Notes:

- a) **Responsibility:** Door and frame manufacturers are responsible for providing adequate construction or re-inforcement for proper installation of hardware shown.
- b) See catalog / spec sheets #SL9125ADA for additional lock details



Standard SL9125ADA
All Backsets

T-ALH.SL9125ADA