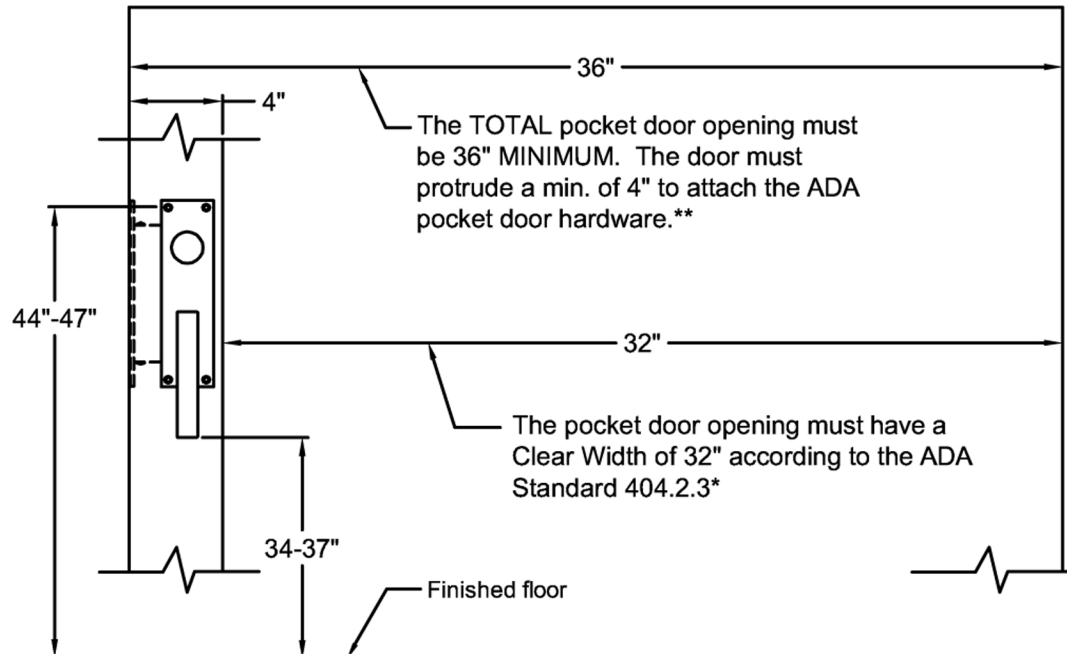
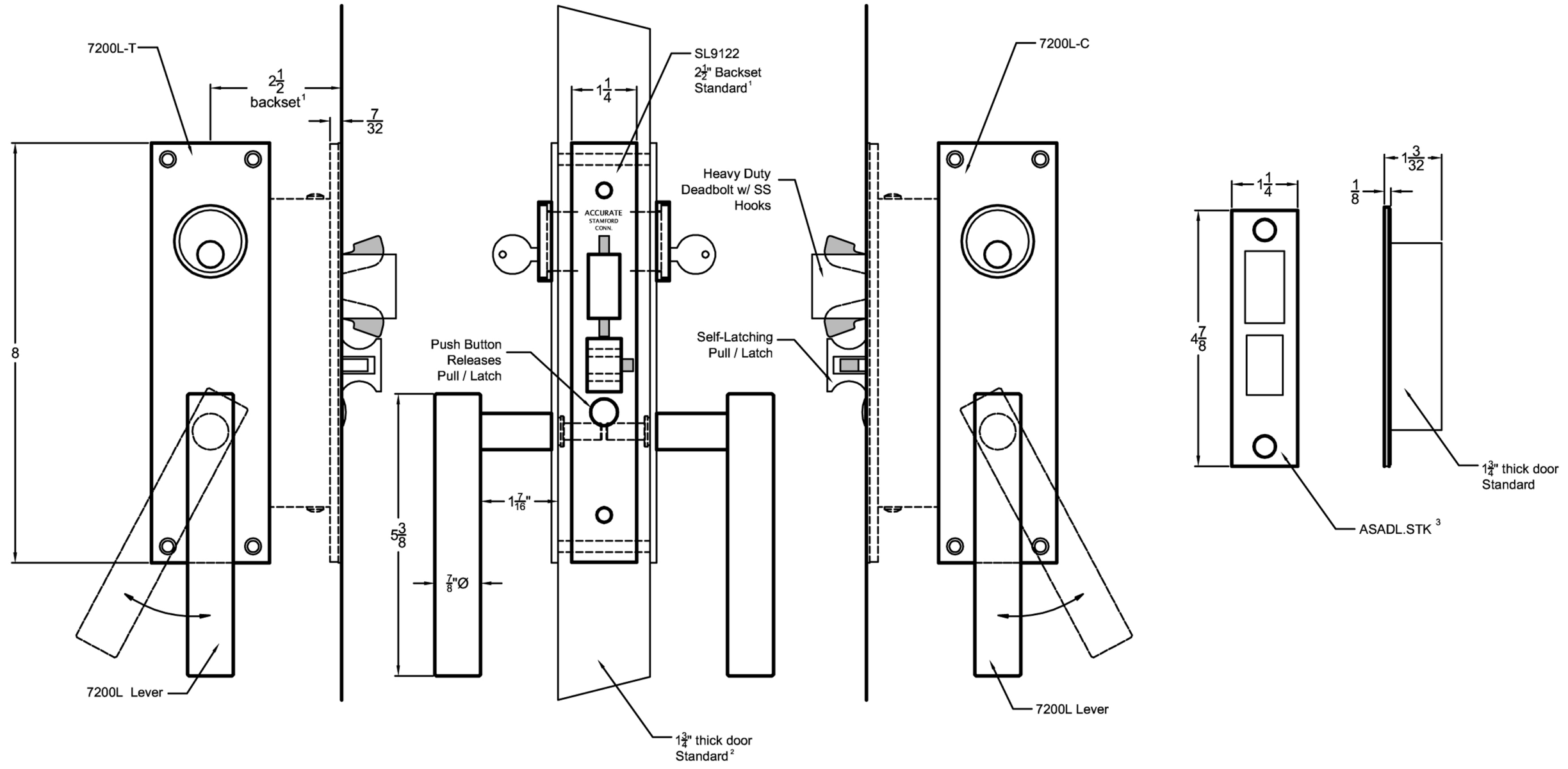


- Screw Pack**
- (2) Spindles
 - (2) 6500 Springs
 - (4) 8-32 post
 - (8) 8-32 x 3/4 Oval Head Screws
 - (4) 12-24 Flat Head Combo Screws



* The ADA Standard 404.2.3* is from the Dept of Justice ADA Publication of Sept 15, 2010. Accurate Lock and Hardware Co. LLC recommends verification of all State and Federal standards applicable for a particular project.

** The total opening has to be 4" greater than the Federal "Clear Width" dimension to work properly

*** The Bottom of the 7200L /7200L-D lever must be installed w/ 34"min-37" from the finished floor, thus meeting Code 404.2.7.

1. SL9122 also available in 2 3/4, 3 3/4, 5, and 6" backsets.
2. Please advise if the door thickness differs from 1 3/4".
3. The SLADA.STK Strike is installed 3/8" above the centerline of the lock - See Template #T-SL9122ADA and the catalog page for additional information



SL9122ADA- Self Latching ADA Sliding / Pocket Door

Spec.SL9122ADA