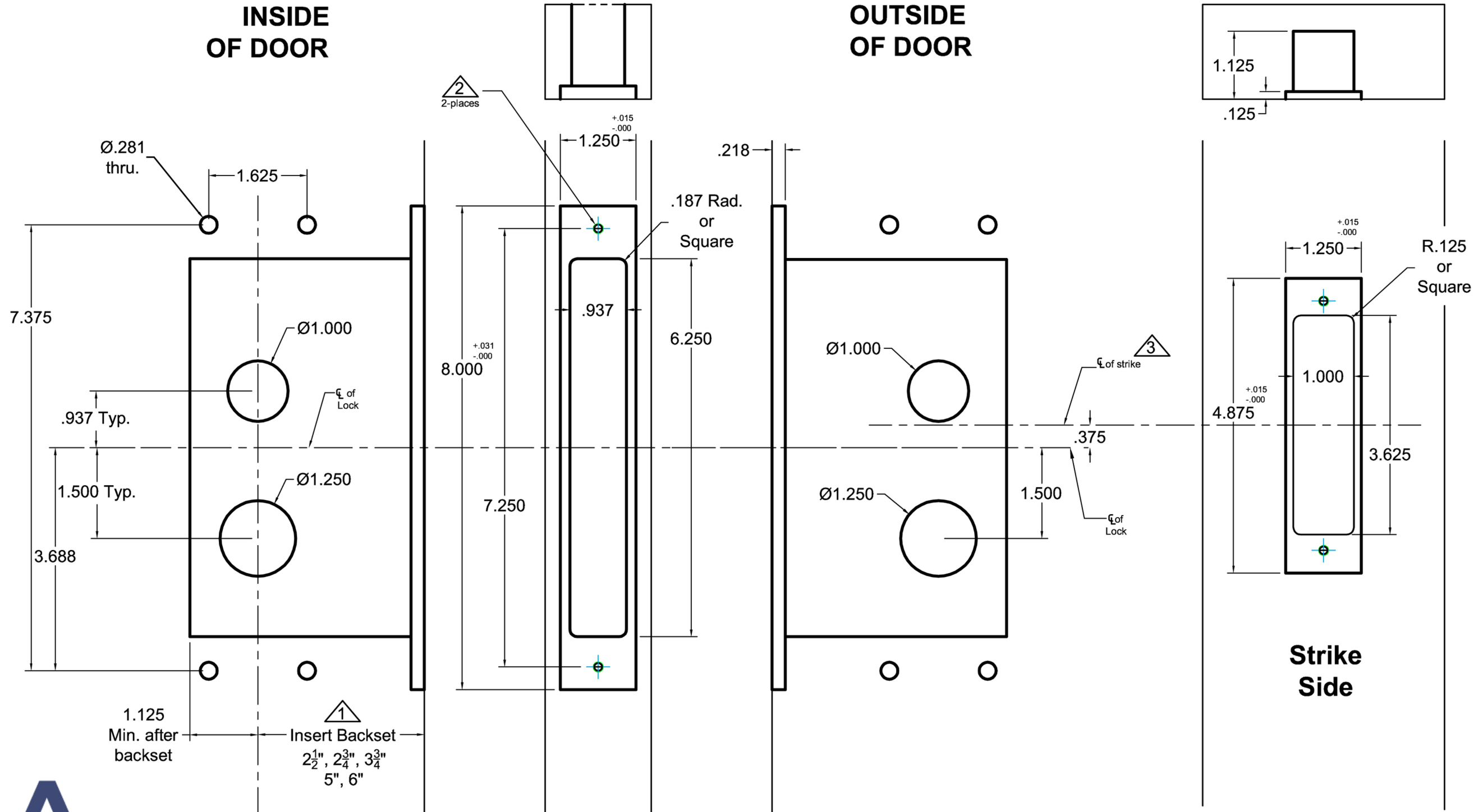





**INSIDE
OF DOOR**

**OUTSIDE
OF DOOR**



Notes:

-  Insert backset here $2\frac{1}{2}$ ", $2\frac{3}{4}$ ", $3\frac{3}{4}$ ", 5 ", or 6 "
-  Prep for #12 wood or 12-24 machine screws
-  Centerline of strike is $\frac{3}{8}$ " above centerline of lock

Additional Notes:

- a) **Responsibility:** Door and frame manufacturers are responsible for providing adequate construction or re-inforcement for proper installation of hardware shown.
- b) See catalog / spec sheets #SL9139iADA for additional lock details



Standard SL9139iADA
All Backsets

T-ALH.SL9139iADA