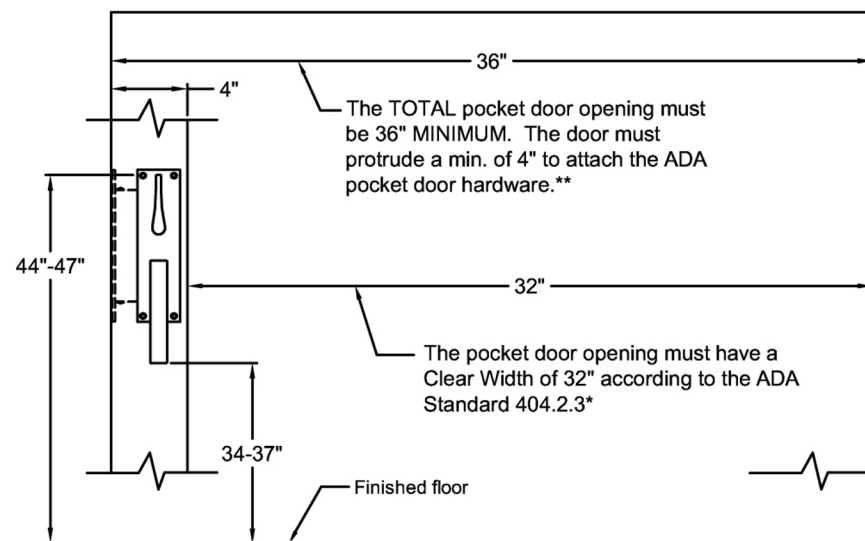


**Screw Pack**

- (2) Spindles
- (2) 6500 Springs
- (4) 8-32 post
- (8) 8-32 x 3/4 Oval Head Screws
- (4) 12-24 Flat Head Combo Screws



\* The ADA Standard 404.2.3\* is from the Dept of Justice ADA Publication of Sept 15, 2010. Accurate Lock and Hardware Co. LLC recommends verification of all State and Federal standards applicable for a particular project.

\*\* The total opening has to be 4 inch greater than the Federal "Clear Width" dimension to work properly

\*\*\* The Bottom of the 7200L /7200L-D lever must be installed w/ 34"min-37" from the finished floor. This will give 44-47" (the max is 48") from the finished floor to top of 7200ADA handle, thus meeting Code 404.2.7.

1. SL9139i also available in 2 3/4, 3 3/4, 5, and 6 inch backsets.
2. Please advise if the door thickness differs from 1 3/4 inch.
3. The SLADA.STK Strike is installed 3/8 inch above the centerline of the lock - See Template #T-SL9139iADA and the catalog page for additional information

SL9139iADA- Self Latching ADA Sliding / Pocket Door

Spec.SL9139iADA