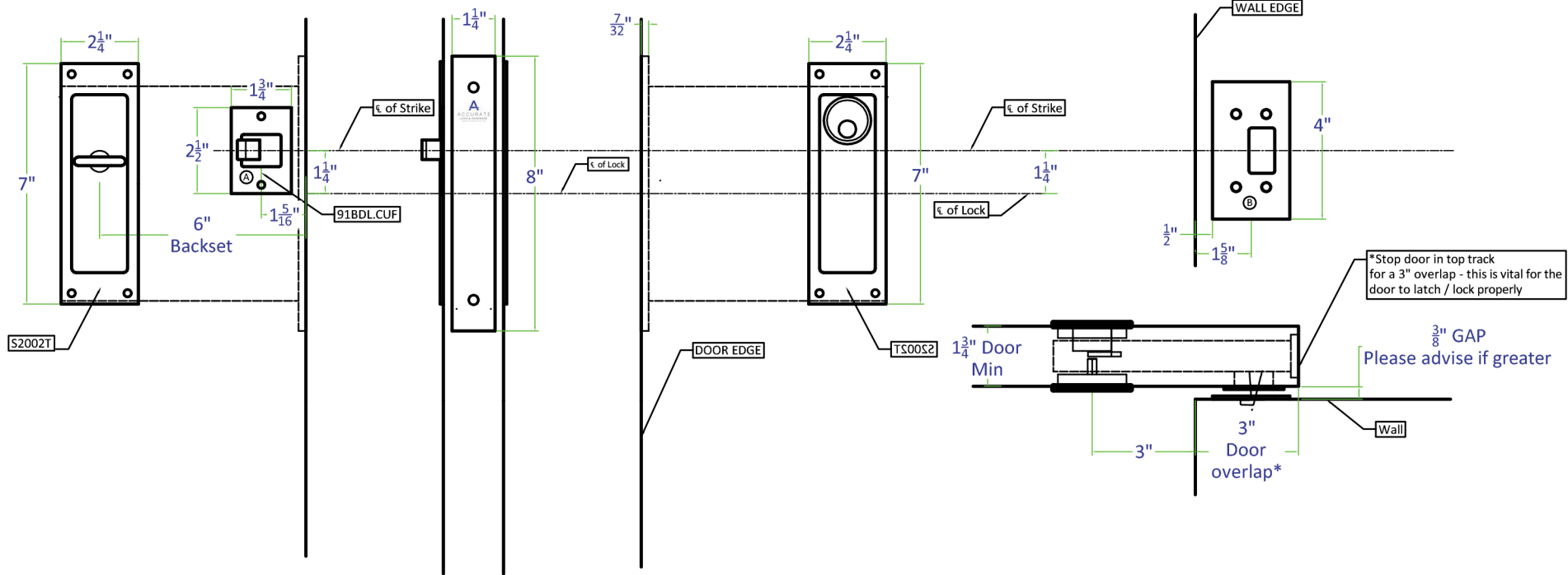


Rev.	Date	Description
A	11-12-18	Updated cuff / hook design
B	11-12-18	Updated strike size



9100BDL-3 x 6" BS x S2002C x S2002T

**Made in USA**

All Accurate products meet the requirements of the "Buy American" provisions included in the "American Recovery and Reinvestment Act" (ARRA Title XVI, Section 1605)

Parts List			
QTY	Part Number	Finish	Description
1	9100BDL		Sliding door lock 6" BS
1	S2002C		Cylinder / flush pull
1	S2002T		Flush T-turn / flush pull
1	91BDL.CUF		Barn door cuff
1	9100BDL.STK		9100BDL Strike Plate
spec no. 9100BDL-3 x S2002C.T			
			REV A