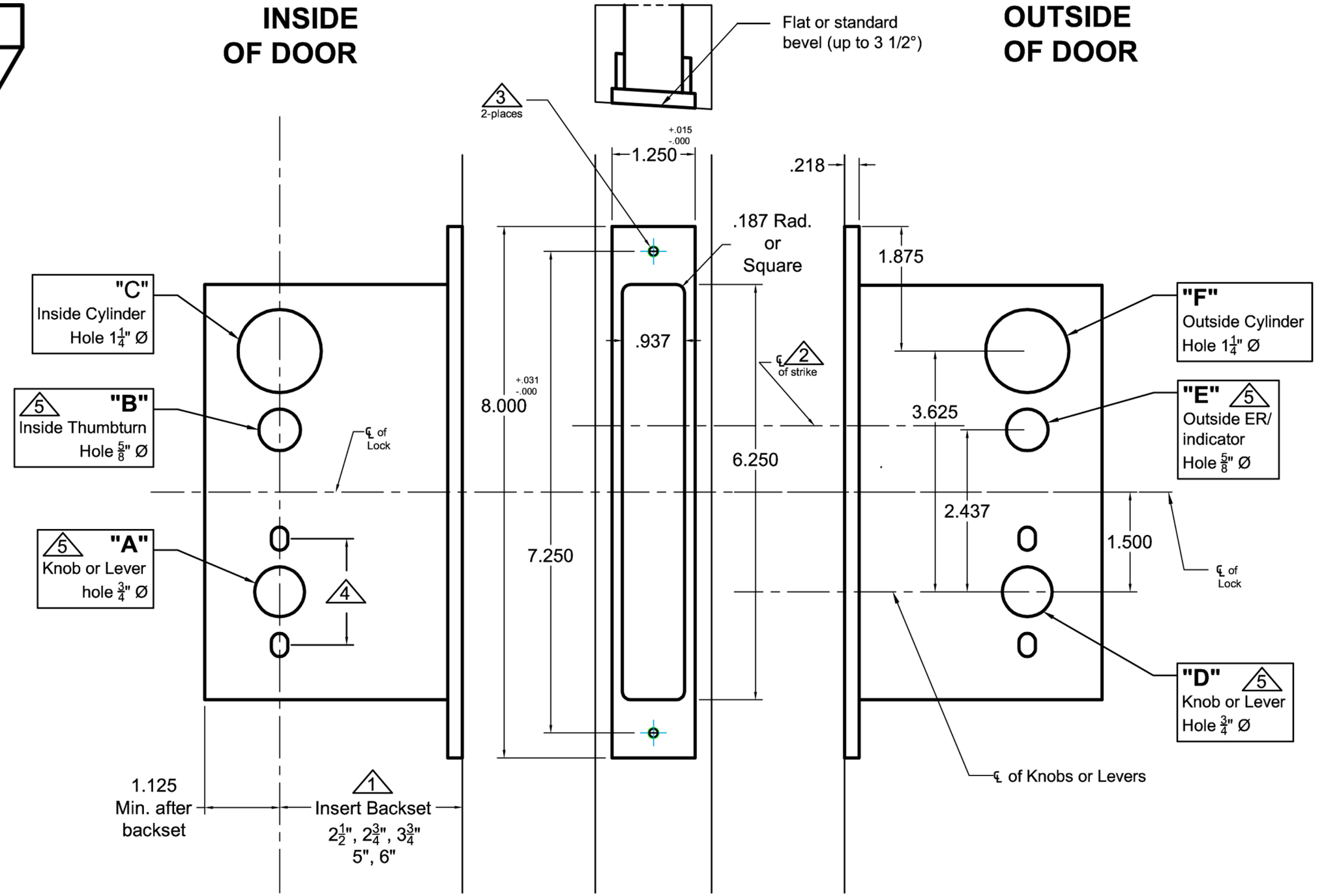


Lock Functions	Inside of door			Outside of door		
	"A" knob/lever = 3/4" dia.	"B" thumbturn = 5/8" dia.	"C" cylinder = 1 1/4" dia.	"D" knob/lever = 3/4" dia.	"E" ER or indicator = 5/8" dia.	"F" cylinder = 1 1/4" dia.
9100SDL-1	●			●		●
9100SDL-2	●	●		●		●
9100SDL-3	●			●		●
9100SDL-4	●	●		●		●
9100SDL-5	●			●	●	●

● Required Holes

### INSIDE OF DOOR

### OUTSIDE OF DOOR



**Notes:**

- ▲ Insert backset here 2 1/2", 2 3/4", 3 3/4", 5", or 6"
  - ▲ Centerline of strike is located 1 1/4" ABOVE the centerline of the lock. SEE template #T-ALH.9100SDL.STK
  - ▲ Prep for #12 wood or 12-24 machine screws
  - ▲ Thru bolting holes **ONLY** if required. See trim manufacturers standard template for details.
- Accurate lock's accommodates 1 1/2" to 1 11/16" center to centers and up to 1/4" dia. post.  
If there are any additional questions about the thru-bolting, please contact our office.
- ▲ Knob, thumbturn and ER holes may vary from different trim manufacturers. Please refer to their templates to confirm these dimensions.

**Additional Notes:**

- a) **Responsibility:** Door and frame manufacturers are responsible for providing adequate construction or re-inforcement for proper installation of hardware shown.
- b) See catalog / spec sheets for additional lock details



Standard 9100SDL- All Backsets

T-ALH.9100.SDL