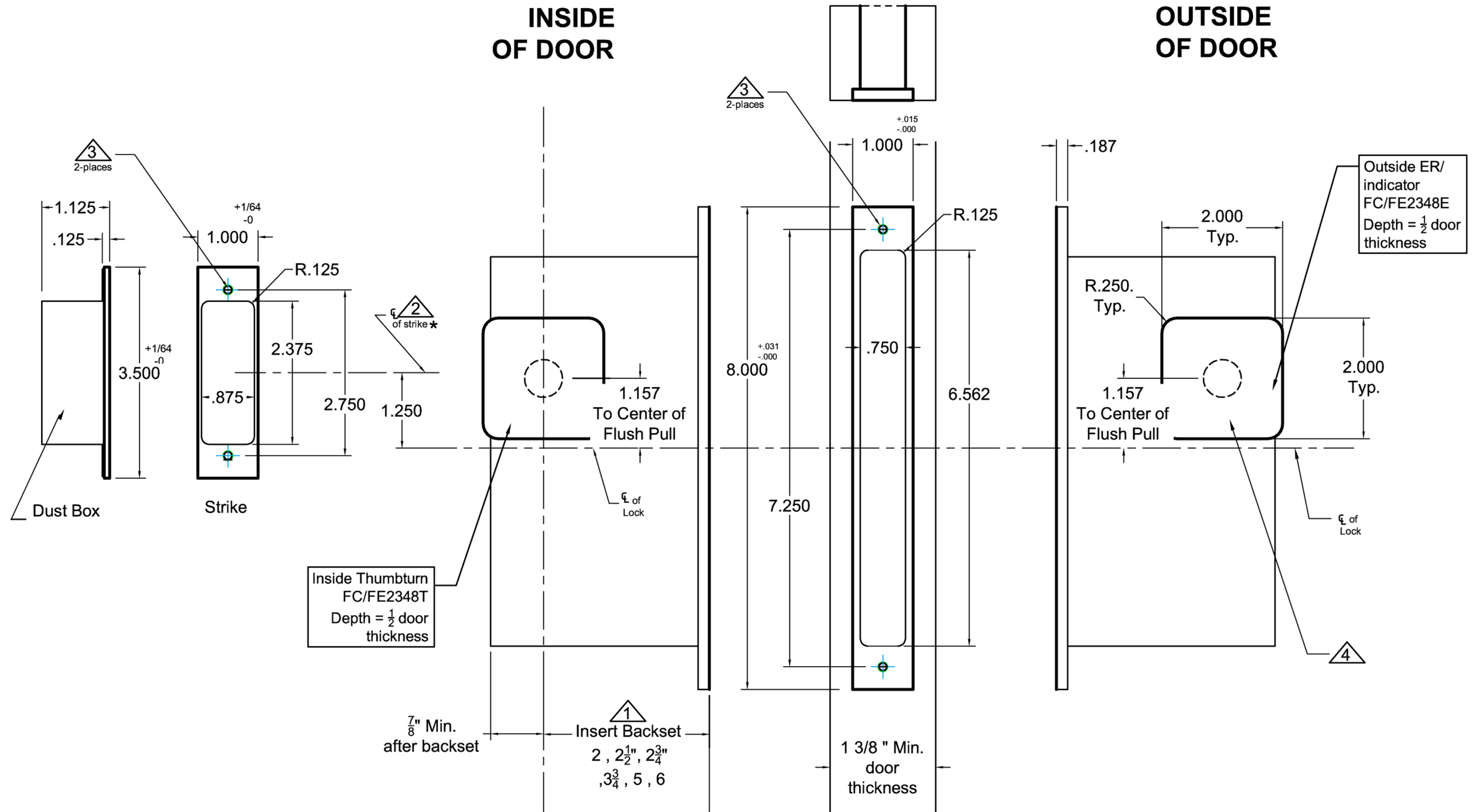


INSIDE OF DOOR

OUTSIDE OF DOOR



Notes:

- ① Insert backset here 2", 2 1/2", 2 3/4", 3 3/4", 5", 6"
- ② Strike is 1 1/4" above centerline of lock
- ③ Prep for #8 wood or 8-32 machine screws
- ④ After the lock is installed and works properly. Pre-drill screw holes for the flush pulls. Then mount the flush pulls with the provided screws.

Additional Notes:

- a) **Responsibility:** Door and frame manufacturers are responsible for providing adequate construction or re-inforcement for proper installation of hardware shown.
- b) See catalog / spec sheets and template #T-ALH.2002CPDL.LO for additional lock details

Standard 2002CPDL-5 Privacy- FC2348T/E and FE2348T/E Flush Pulls- All Backsets

T-ALH.2002CPDL-5.FCEC2348