

# FC2348 FLUSH PULLS

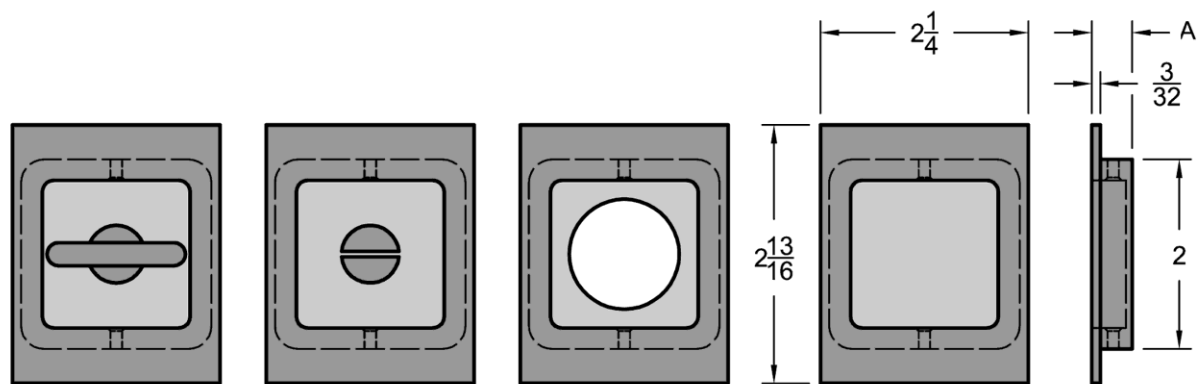
- Premium flush pulls machined out of solid brass and finished as required. Stainless and bronze based flush pulls available as a special order.
- For use on 1 3/8", 1 3/4" or thicker doors (door thickness MUST be specified when ordering)
- Available in four functions to work with the 2000, 2001, 2002 sliding and pocket door locks (could be used with other Accurate mortise locks – please contact our Sales Engineers for your application)



**FC2348B**



**FC2348C**



**FC2348T**

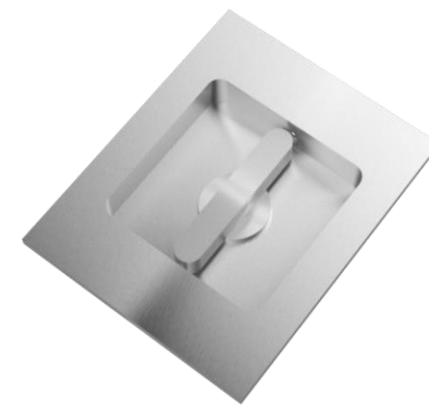
**FC2348E**

**FC2348C**

**FC2348B**



**FC2348E**



**FC2348T**