



ACCURATE

LOCK & HARDWARE

AMERICAN CRAFTED SINCE 1972

---

G-CYL + GO-CYL SERIES

UNIVERSAL CYLINDRICAL GLASS PATCH FOR SWINGING DOORS



# Innovative Solutions for Glass Doors

## G-CYL + GO-CYL SERIES

The G-CYL is a universal cylindrical lock patch for glass swinging doors. Designed to house any commercial cylindrical lock to work with wall partition systems with frameless openings. The G-CYL and GO-CYL Patches are one solid piece that houses the cylindrical lock to provide a contemporary and sleek solution for centered and offset swinging glass door applications.

**G-CYL GLASS PATCH SHOWN WITH SCHLAGE® ND SERIES**

# G-CYL + GO-CYL Series

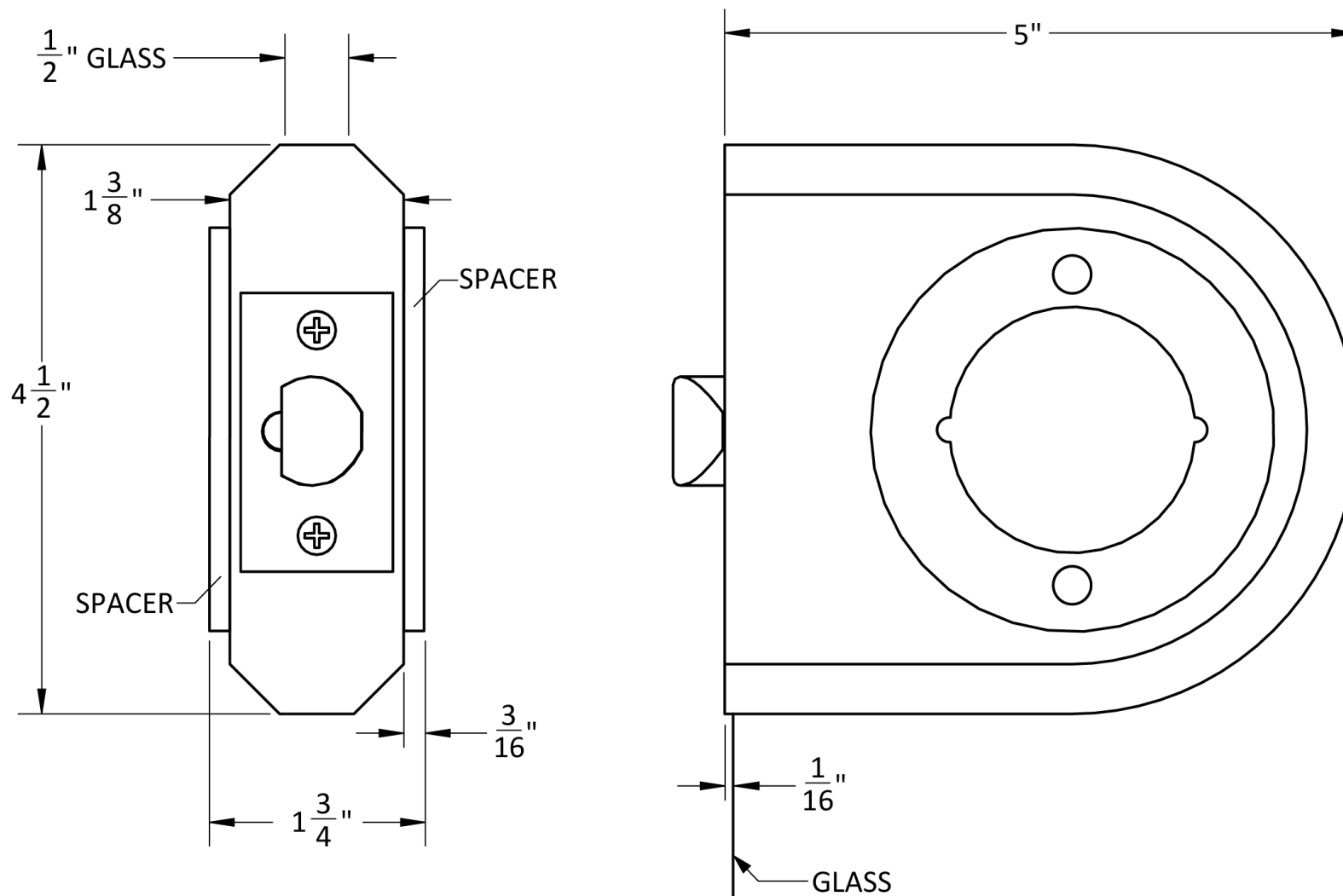
## UNIVERSAL CYLINDRICAL GLASS PATCH

- Available centered on glass (G-CYL) or offset on glass (GO-CYL)
- Designed for glass wall partition systems with frameless openings
- Standard set up is for a 2 <sup>3</sup>/<sub>4</sub>" backset lockset on 1/2" thick tempered glass
- Note: Cylindrical locks to be supplied by others and can be installed onsite once G-CYL/GO-CYL patch is installed.



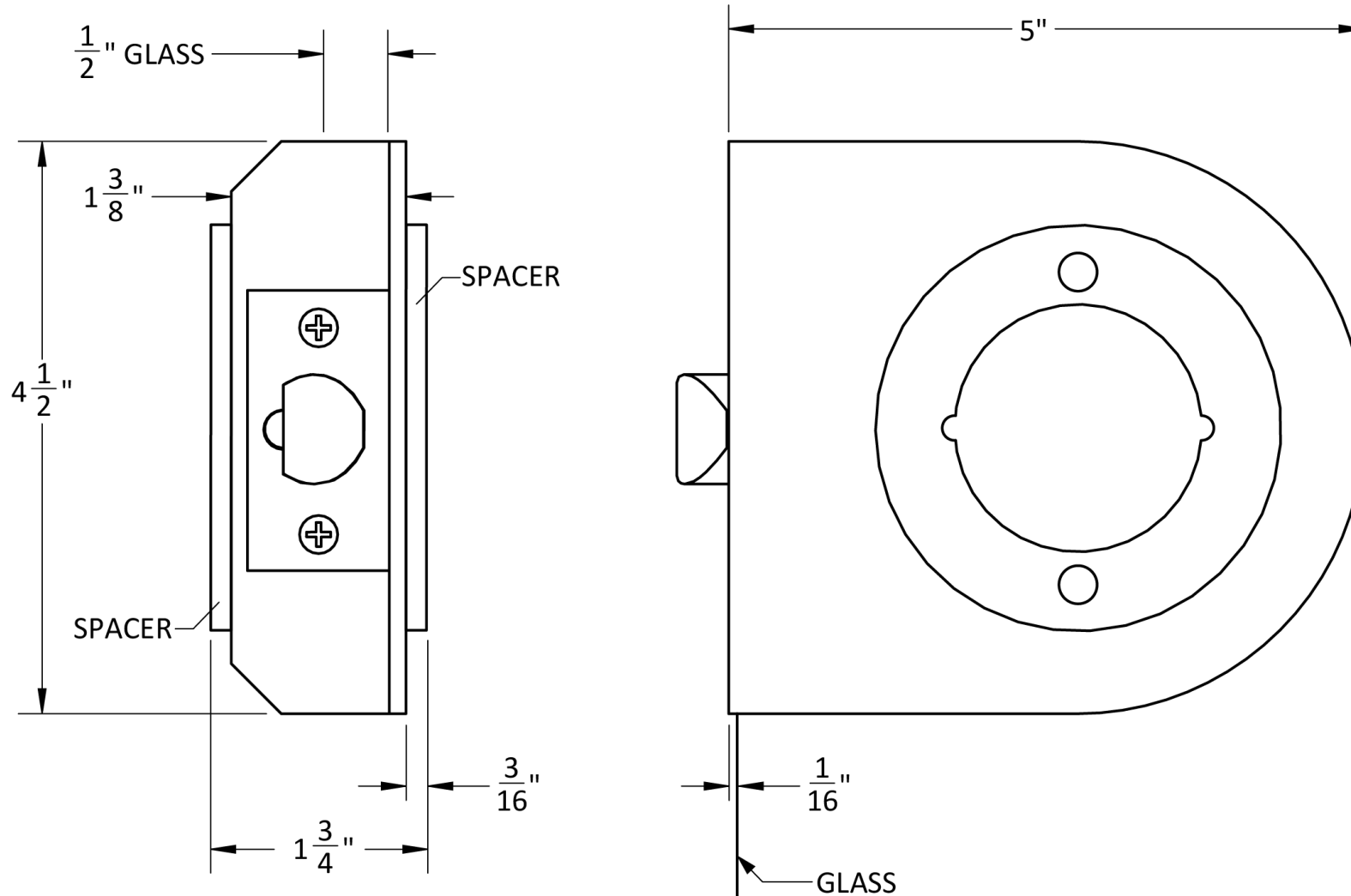
**G-CYL PATCH KIT WITH G-CYL-GPS STRIKE**  
*(strike specified and sold separately)*

# G-CYL Centered on Glass Patch Dimensions



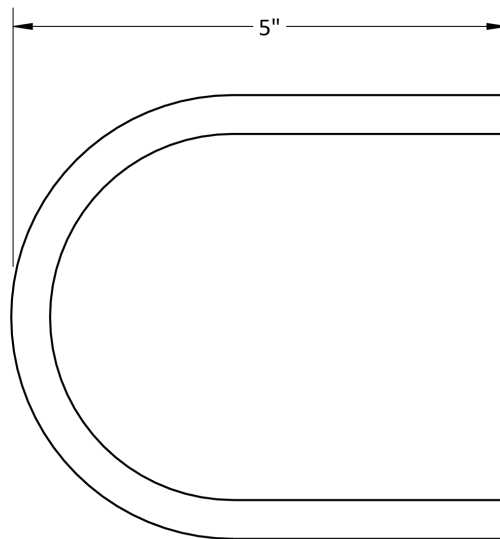
Standard through-bolting is vertical, can be modified for other configurations.

# GO-CYL Offset on Glass Patch Dimensions

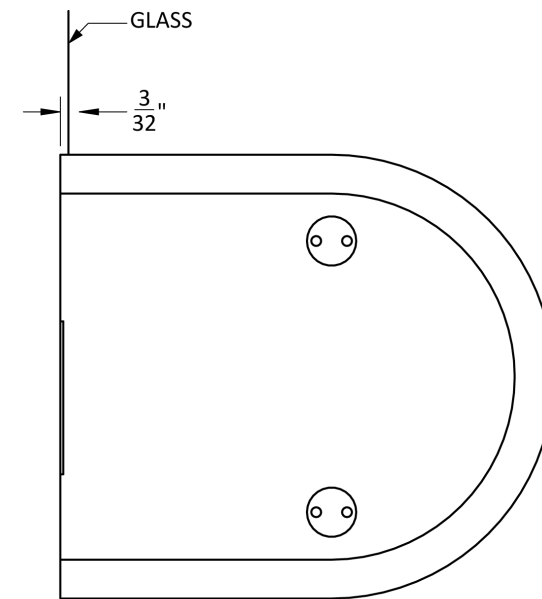
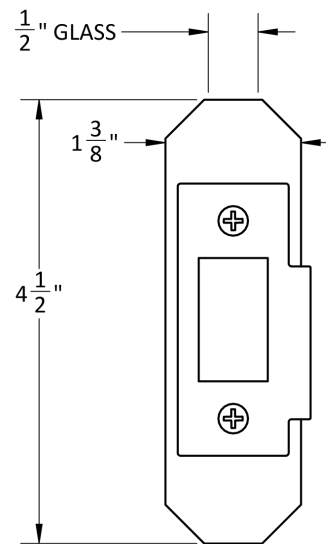


Standard through-bolting is vertical, can be modified for other configurations.

# G-CYL-GPS Centered on Glass Patch Strike



OUTSIDE VIEW



INSIDE VIEW

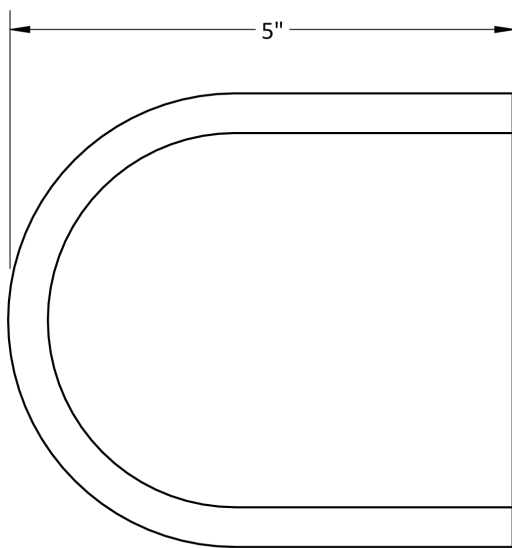
*G-CYL-GPS Glass Patch Strike is specified and sold separately.*

# G-CYL-GPS-E Electrified Centered on Glass Patch Strike

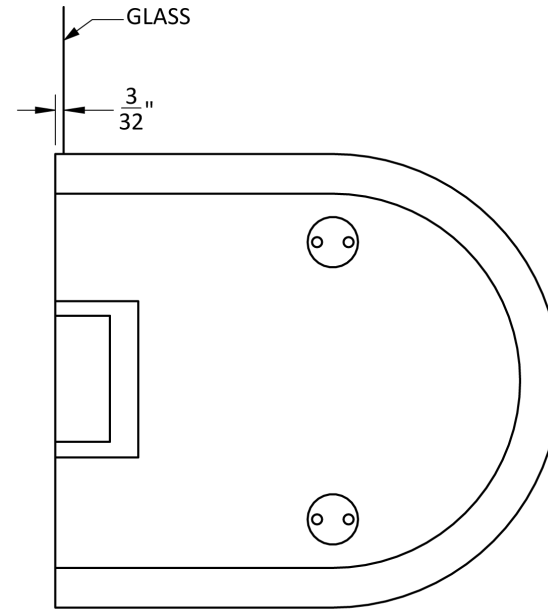
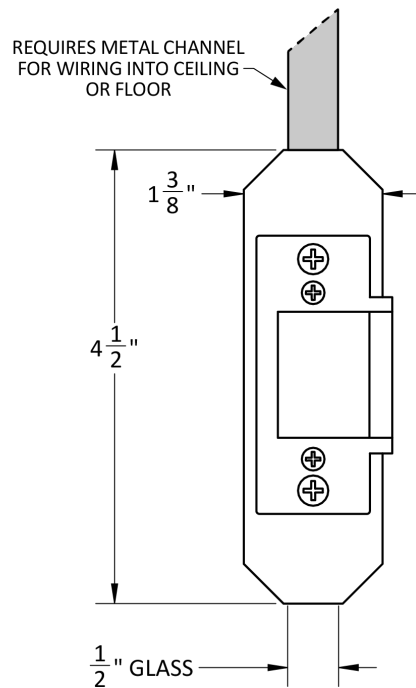
G-CYL-GPS-E



G-CYL-GPS-E-S  
AVAILABLE WITH INTEGRATED STOP



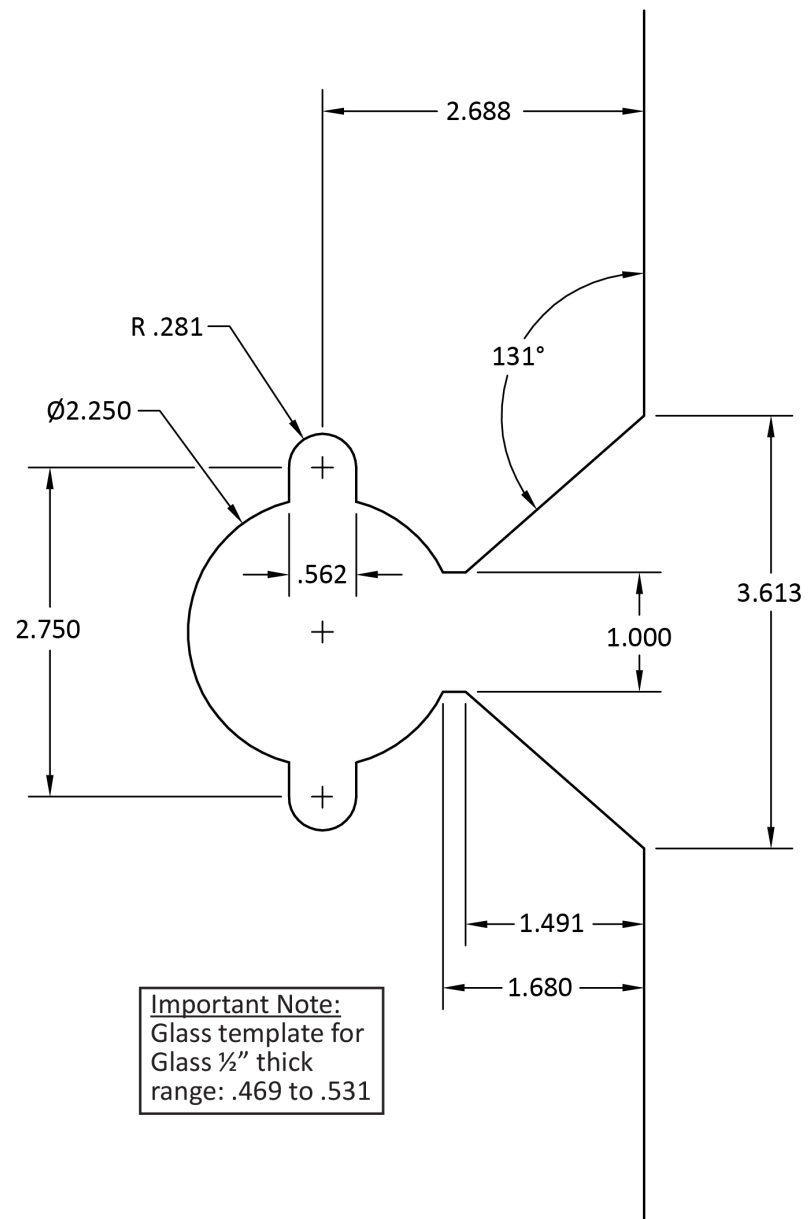
OUTSIDE VIEW



INSIDE VIEW

*Specified and sold separately, G-CYL-GPS-E and G-CYL-GPS-E-S Glass Patch Strikes are furnished to allow specific electrified strike installation on site. Electrified strike by others.*

# G-CYL Glass Prep Template



**Important Note:**  
Glass template for  
Glass  $\frac{1}{2}$ " thick  
range: .469 to .531

\*\*For use with:

G-CYL  
GO-CYL  
G-GYL-GPS  
G-CYL-NDE  
GO-CYL-NDE  
G-CYL-NDE-GPS

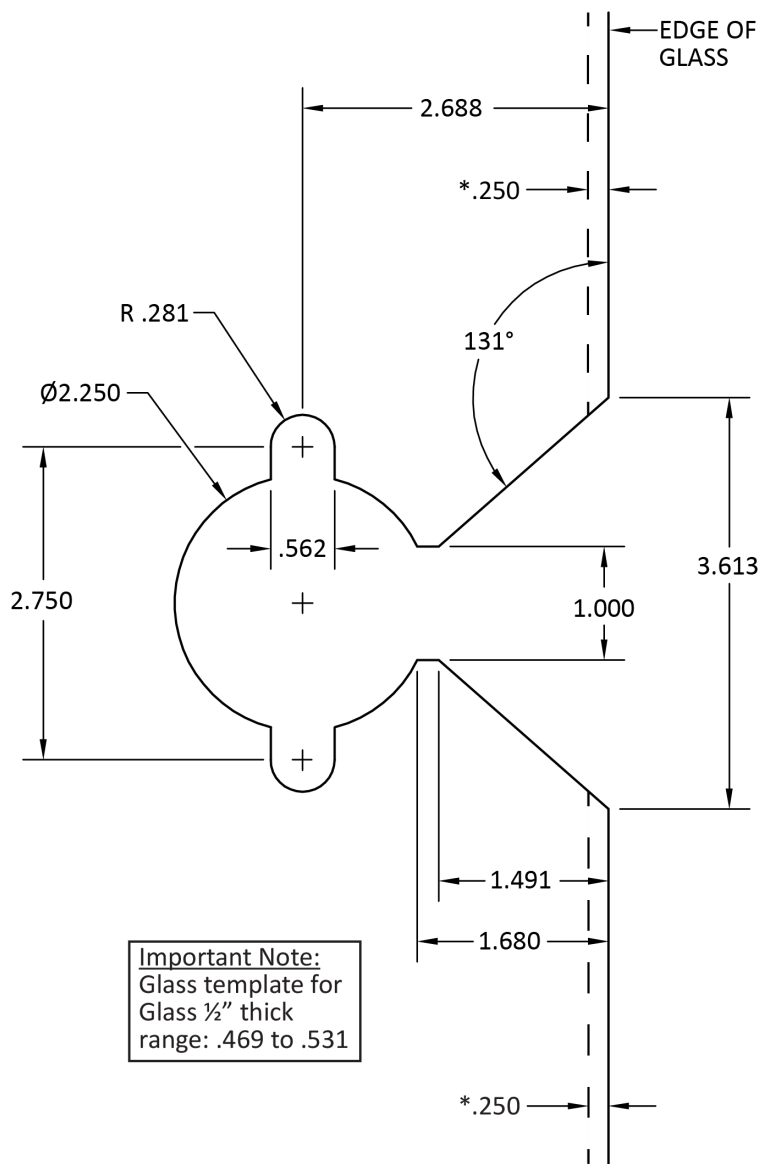
Note: GPS = Glass Patch Strike  
(G-CYL Patch Locks and Patch  
Strikes are prepped the same)

\*This prep is for the following  
manufacturers:

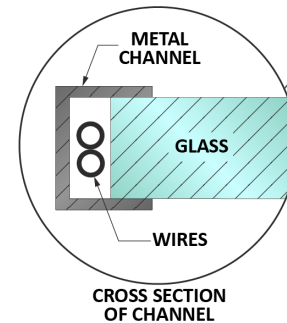
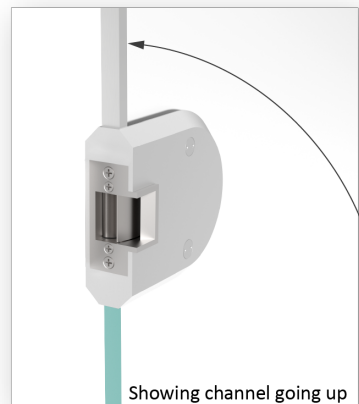
Hager 3400  
Best 63K, 73K, 83K, 93K  
Schlage ND  
Corbin CL3300  
Sargent 10 Line  
Yale 5400LN, nexTouch  
Arrow 380N, 980AN, 980CN  
Dorma C500, CL700, C800



# G-CYL-GPS-E Glass Prep Template



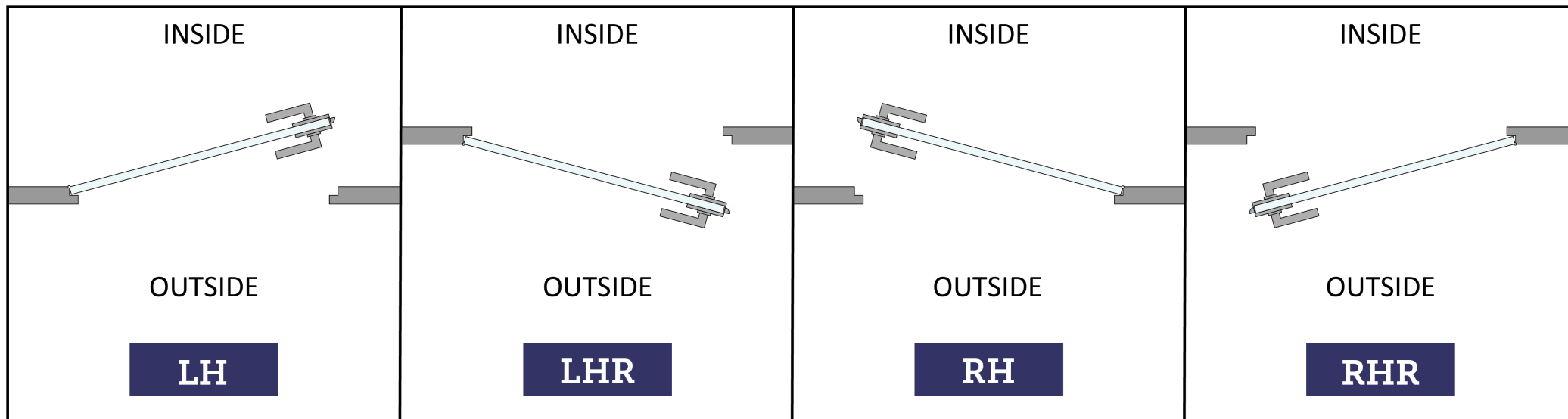
\*.250 CUT FOR METAL CHANNEL.  
CHANNEL GOES EITHER UP INTO CEILING  
OR DOWN INTO FLOOR



**G-CYL-GPS-E  
GLASS PATCH TEMPLATE**  
*(specified and sold separately)*

# HOW TO SPECIFY

## HANDING



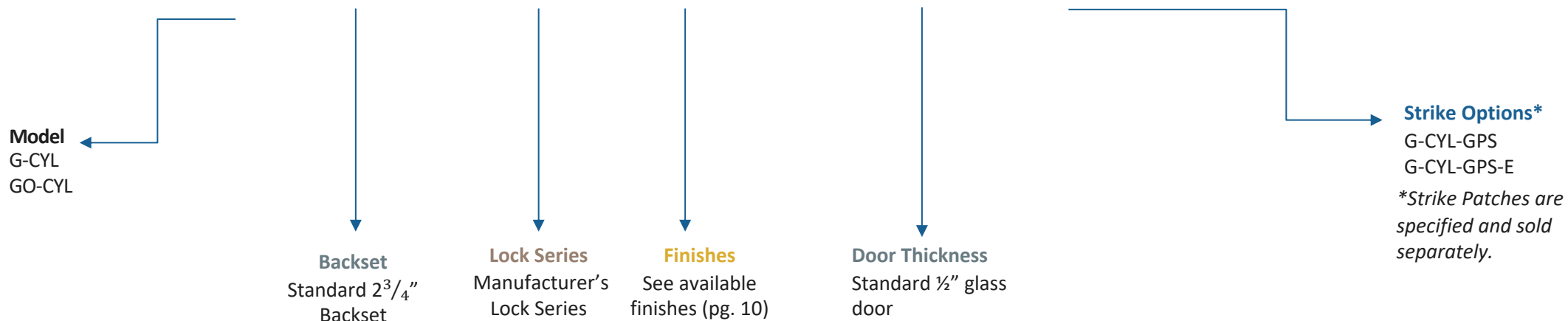
## FINISHES

US28, ESN, US19

Other finishes available, please [contact us](#) for assistance.

# G-CYL | GO-CYL | HOW TO SPECIFY

**MODEL**.**BACKSET**.**LOCKSERIES**.**FINISH**.**HAND**.**DOORTHICKNESS**.**STRIKEOPTIONS**



## EXAMPLES

**Glass Patch | Centered | To Accept Schlage® ND Series | Matching Patch Strike**

E.g. G-CYL.234.SCHLAGE-ND.US28.RH.1/2.G-CYL-GPS

**Glass Patch | Centered | To Accept Corbin Russwin CL3000 Series | Electrified Patch Strike**

E.g. G-CYL.234.CL3000.US19.LH.1/2.G-CYL-GPS-E

**Glass Patch | Offset | To Accept Schlage ND Series | No Strike**

E.g. GO-CYL.234.SCHLAGE-ND.US19.LH.1/2

## NOTES

- Cylindrical Locks to be supplied by others and can be installed onsite once G-CYL/GO-CYL patch is installed.
- When specified and ordered separately, G-CYL-GPS-E Glass Patch Strikes are furnished to allow specific electrified strike installation on site. Electrified strike sold by others.

**ACCURATE LOCK & HARDWARE  
MANUFACTURERS OF LOCKS AND  
CUSTOM ARCHITECTURAL HARDWARE**

1 Annie Place | Stamford, CT 06902

**P:** 203.348.8865

**F:** 203.348.5234

**E:** sales@accuratelockandhardware.com

**www.accuratelockandhardware.com**



**AMERICAN CRAFTED  
— SINCE 1972 —**