



ACCURATE  
LOCK & HARDWARE  
AMERICAN CRAFTED SINCE 1972

---

G-ML-LE SERIES

GLASS PATCH FOR SCHLAGE® LE SERIES WIFI MORTISE LOCK

# Innovative Solutions for Glass Doors

## G-ML-LE SERIES

Designed to retrofit the Schlage® LE Series Wifi lock to work with glass wall partition systems with frameless openings.

The G-ML-LE specialty patch houses the lock so it can function as it would on any other opening and sit comfortably on glass.



G-ML-LE Glass Patch Shown with Schlage® LE Lock

# G-ML-LE Series

## MORTISE LOCK PATCH KIT FOR SCHLAGE® LE SERIES WIFI LOCK

- Maintain modern, sleek aesthetics while allowing WIFI access control on glass openings
- Standard set up is for 2<sup>3</sup>/<sub>4</sub>" backset onto 1/2" thick tempered glass
- Centered on glass. For offset on glass please call for assistance.
- Patch only (6"x13") lock not included
- Custom options available including: other glass thicknesses (3/8" or 5/8"), custom anodized aluminum finishes/colors

**Note:** Schlage® LE to be supplied by others and can be installed onsite once G-ML-LE patch is installed.

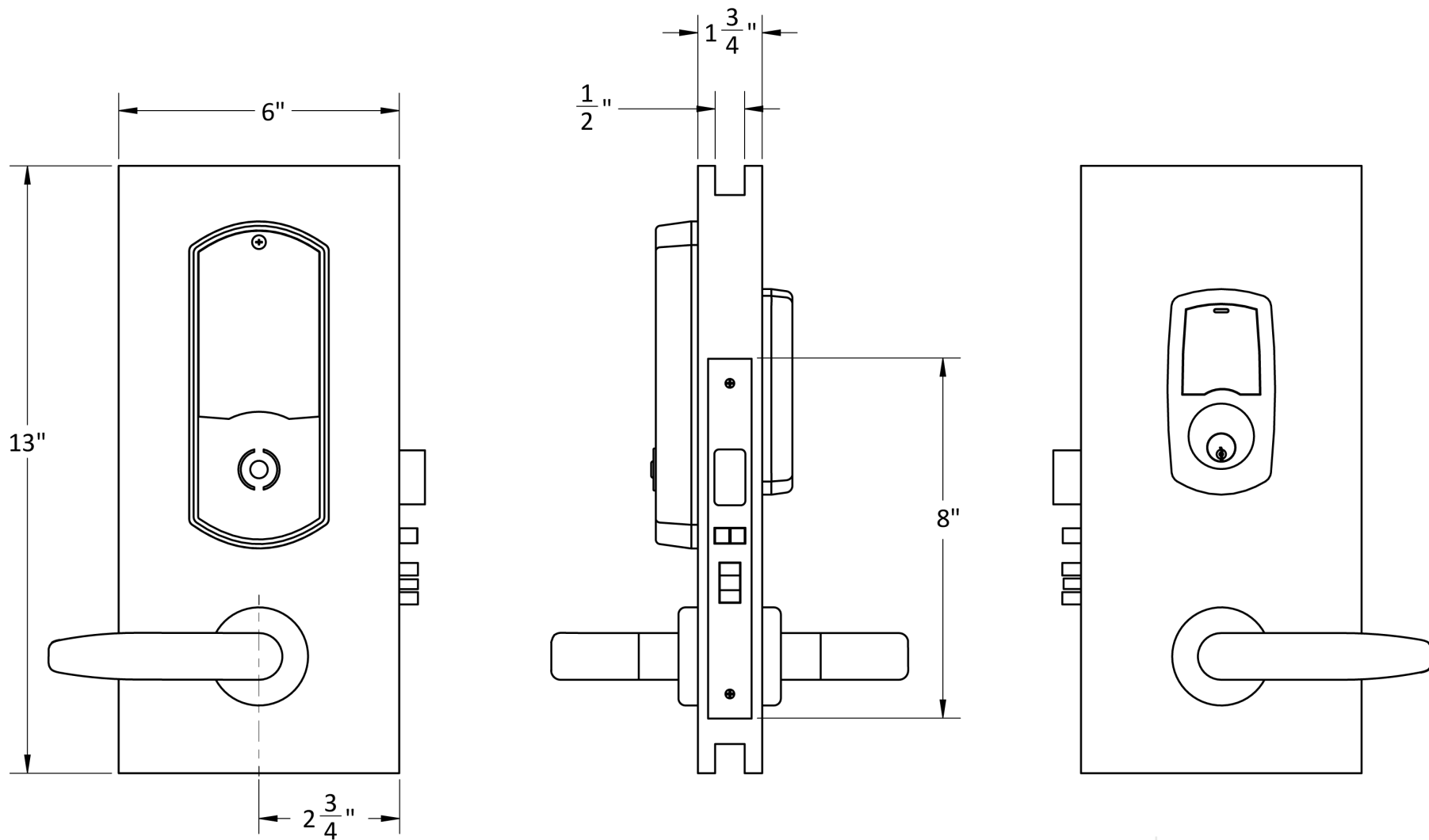


Inside

Outside

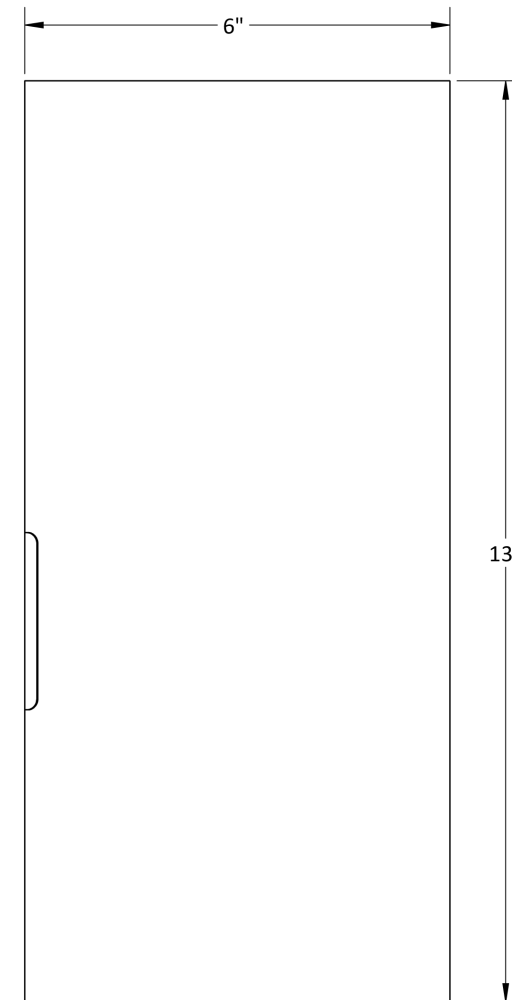
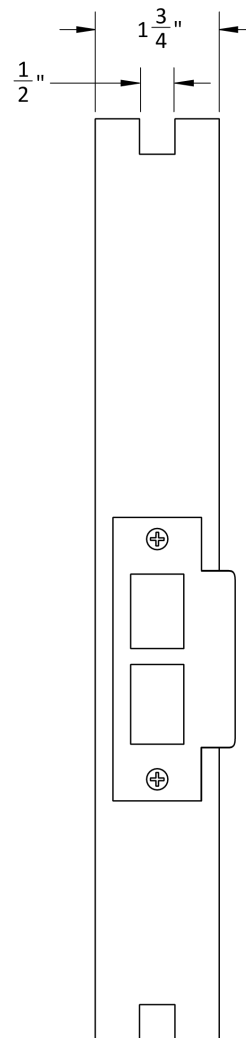
G-ML-LE SERIES FOR SCHLAGE®  
LE SERIES WIFI LOCK

# G-ML-LE Glass Patch Dimensions



**G-ML-LE GLASS PATCH  
FOR SCHLAGE® LE SERIES WIFI LOCK**

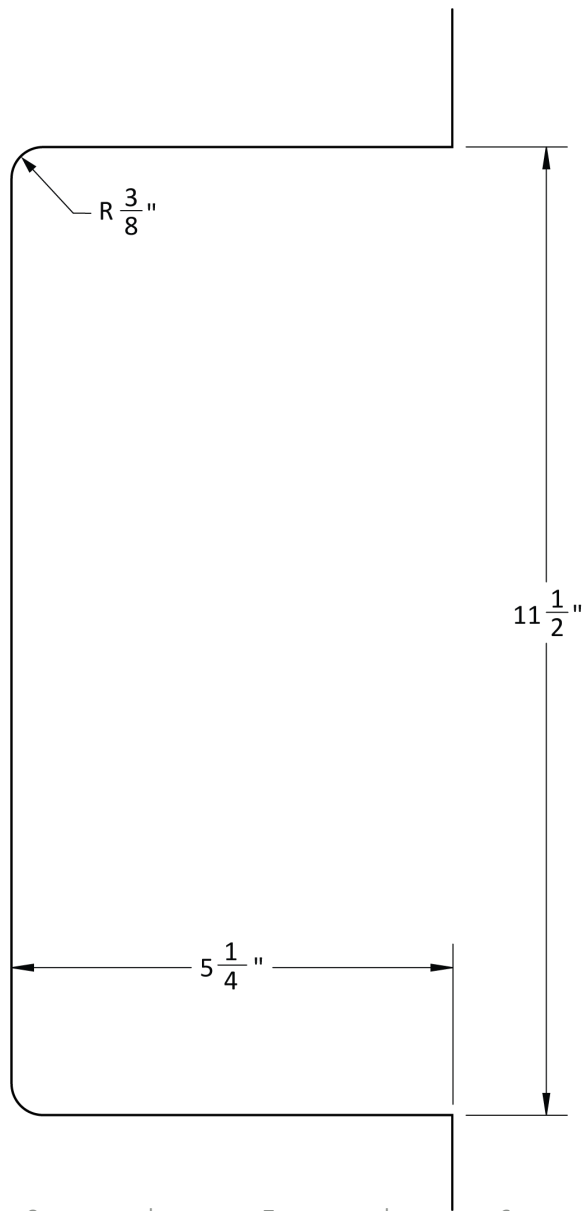
# G-ML-LE-GPS Glass Patch Strike



*G-ML-LE-GPS Glass Patch Strike is specified and sold separately.*

**G-ML-LE-GPS GLASS PATCH STRIKE**

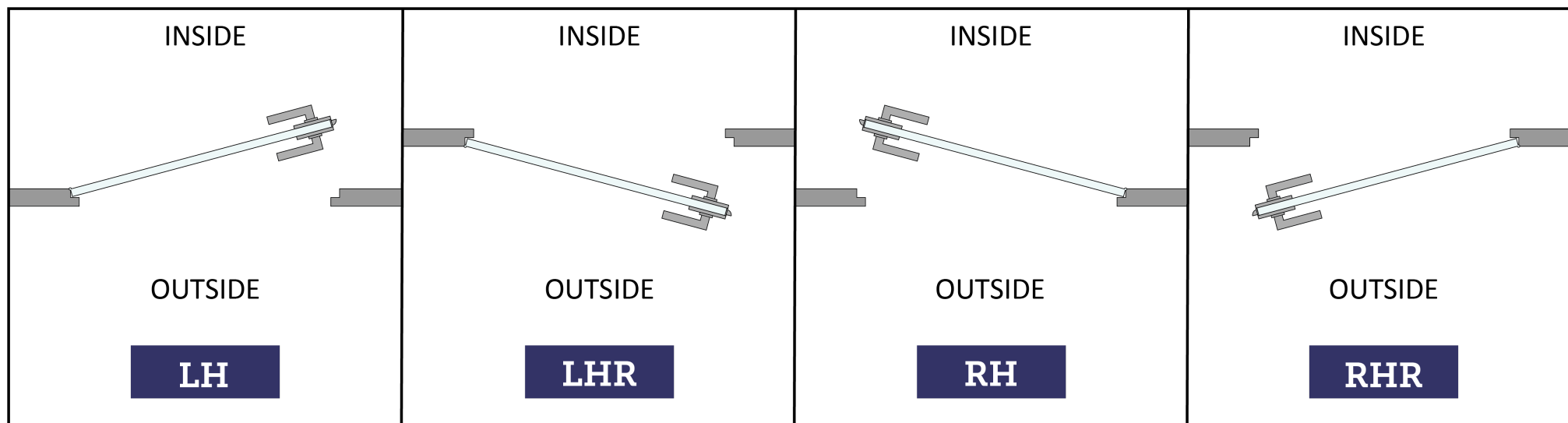
# G-ML-LE + G-ML-LE-GPS Glass Prep Template



**Important Note:**  
 Glass template for  
 Glass  $\frac{1}{2}''$  thick  
 range: .469 to .531

# HOW TO SPECIFY

## HANDING



## FINISHES

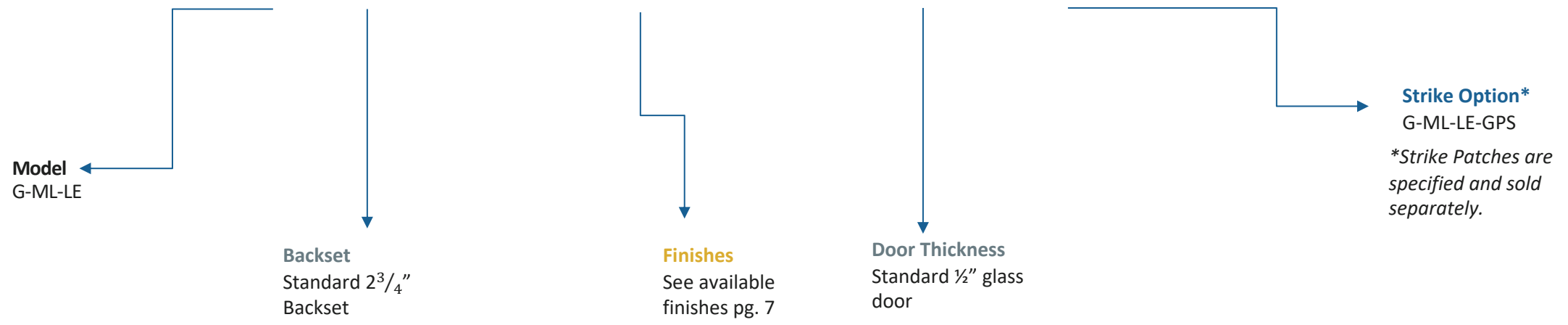
US28, ESN, US19

Other finishes available, please [contact us](#) for assistance.



# G-ML-LE | HOW TO SPECIFY

**MODEL**.**BACKSET**.**SCHLAGE-LE**.**FINISH**.**HAND**.**DOORTHICKNESS**.**STRIKE OPTION**



## EXAMPLES

**Glass Patch Kit to Accept Schlage LE Series | Matching Patch Strike**  
 E.g. G-ML-LE.234.SCHLAGE-LE.US28.RH.1/2.G-ML-LE-GPS

**Glass Patch Kit to Accept Schlage LE Series | No Strike**  
 E.g. G-ML-LE.234.SCHLAGE-LE.ESN.LH.1/2

**Glass Patch Kit to Accept Schlage LE Series | Matching Patch Strike**  
 E.g. G-ML-LE.234.SCHLAGE-LE.US19.LH.1/2. G-ML-LE-GPS

## NOTES

- Schlage® LE Wifi Lock to be supplied by others and can be installed onsite once G-ML-LE patch is installed.
- Glass Patch Strikes specified and sold separately.



**ACCURATE LOCK & HARDWARE  
MANUFACTURERS OF LOCKS AND  
CUSTOM ARCHITECTURAL HARDWARE**

1 Annie Place | Stamford, CT 06902

**P:** 203.348.8865

**F:** 203.348.5234

**E:** [sales@accuratelockandhardware.com](mailto:sales@accuratelockandhardware.com)

**[www.accuratelockandhardware.com](http://www.accuratelockandhardware.com)**



**AMERICAN CRAFTED  
— SINCE 1972 —**