



# ACCURATE LOCK & HARDWARE

AMERICAN CRAFTED SINCE 1972

---

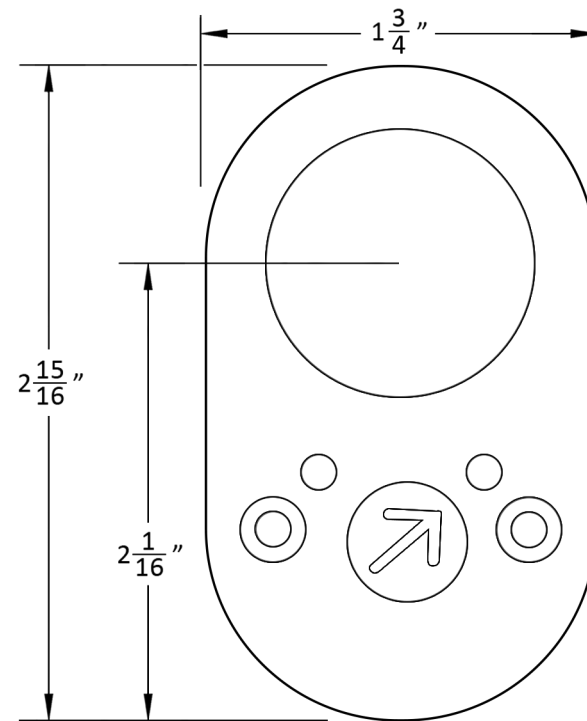
## 7200Ci

OCCUPANCY INDICATOR



# 7200Ci

- US26D/US32D finish standard, anti-microbial finish available
- Surface mounted
- For use with: Accurate's 9100 Series and 8800 Series Locks (with a deadbolt), 9500 and 7200 Deadlocks.
- Furnished with Torx® Security Screws
- Specify handing.
- For 1-3/4" thick doors.
- Supplied with 2002C cylinder collar (less cylinder).
- 2002C Cylinder Collar: cylinder sits flush, offered in 2 sizes.



7200Ci

**ACCURATE LOCK & HARDWARE  
MANUFACTURERS OF LOCKS AND  
CUSTOM ARCHITECTURAL HARDWARE**

1 Annie Place | Stamford, CT 06902

**P:** 203.348.8865

**F:** 203.348.5234

**E:** sales@accuratelockandhardware.com

**www.accuratelockandhardware.com**



**AMERICAN CRAFTED**  
**— SINCE 1972 —**