



# ACCURATE LOCK & HARDWARE

AMERICAN CRAFTED SINCE 1972

---

## N2002 POCKET DOOR FLUSH PULLS

EXPOSED FASTENERS, CONCEALED FASTENERS + INVISI-MOUNT



N2002B FLUSH PULL



# N2002 Pocket Door Flush Pulls

## NOTCHED POCKET DOOR FLUSH PULLS

- Premium flush pulls machined out of solid brass. Stainless and bronze based flush pulls available as a special order.
- For use on  $1\frac{3}{8}$ "", "",  $1\frac{3}{4}$ "", or thicker doors (door thickness MUST be specified when ordering).
- Three different mounting styles offered:
  - Exposed Fasteners
  - Concealed Fasteners
  - Invisi-Mount (No screws)
- Available in six functions to work with the 2000, 2001, 2002 sliding and pocket door locks (-B, -T, -E, -C, -Oi, -COi)
- Other styles available (S, A, O)

# N Style | Exposed Fasteners

N2002B



N2002E



N2002T



N2002C



N2002-Oi



N2002-COi



# N Style | Concealed Fasteners

11

10

9

8

7

6

5

4

3

2

1

CN2002B



CN2002E



CN2002T



CN2002C



CN2002-Oi



CN2002-COI



11

10

9

8

7

6

5

4

3

2

1

# N Style | Invisi-Mount (Screwless Mounting)

IN2002B



IN2002E



IN2002T



IN2002C



IN2002-Oi

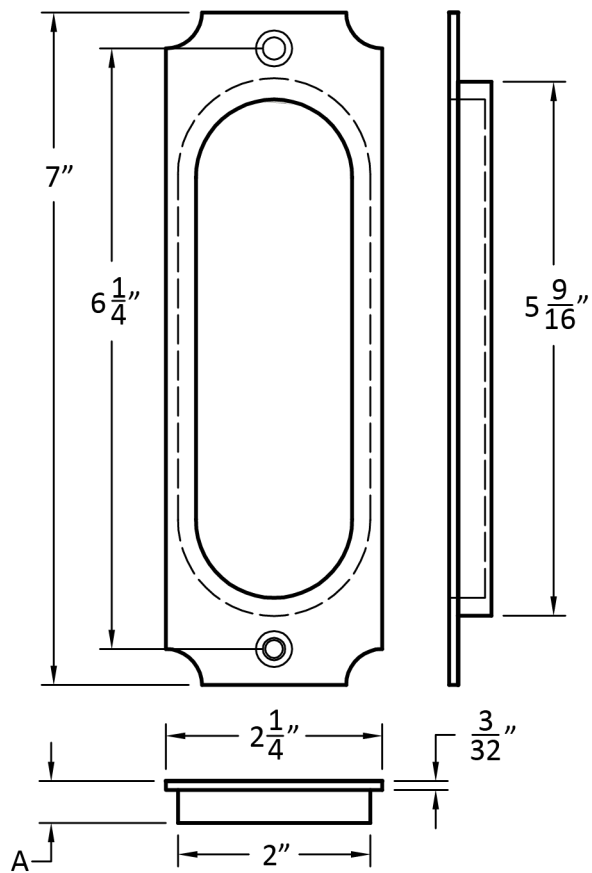


IN2002-COi

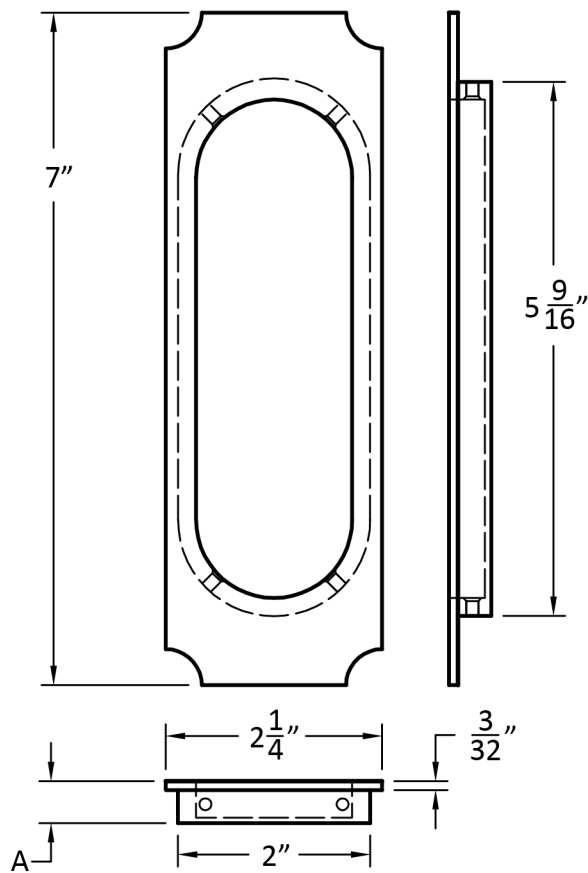


# N Style Flush Pull | Dimensions

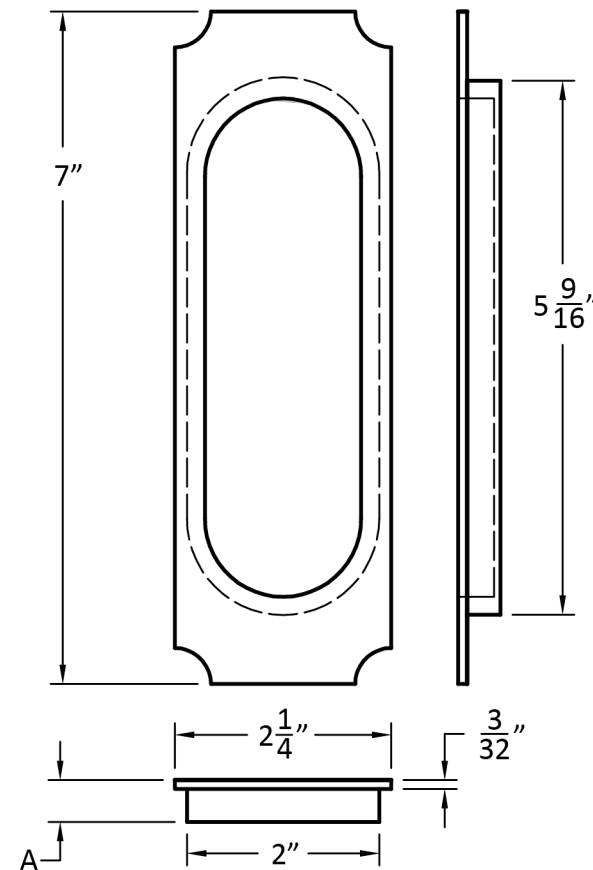
### EXPOSED FASTENERS



### CONCEALED FASTENERS



### INVISI-MOUNT



**ACCURATE LOCK & HARDWARE  
MANUFACTURERS OF LOCKS AND  
CUSTOM ARCHITECTURAL HARDWARE**

1 Annie Place | Stamford, CT 06902

**P:** 203.348.8865

**F:** 203.348.5234

**E:** sales@accuratelockandhardware.com

**www.accuratelockandhardware.com**



**AMERICAN CRAFTED  
— SINCE 1972 —**