



ACCURATE LOCK & HARDWARE

AMERICAN CRAFTED SINCE 1972

2002 POCKET DOOR FLUSH PULLS

EXPOSED FASTENERS, CONCEALED FASTENERS + INVISI-MOUNT



S2002B FLUSH PULL



S2002 Pocket Door Flush Pulls

RECTANGULAR POCKET DOOR FLUSH PULLS

- Premium flush pulls machined out of solid brass. Stainless and bronze based flush pulls available as a special order.
- For use on $1\frac{3}{8}$ "", "", $1\frac{3}{4}$ "", or thicker doors (door thickness MUST be specified when ordering).
- Three different mounting styles offered:
 - Exposed Fasteners
 - Concealed Fasteners
 - Invisi-Mount (No screws)
- Available in six functions to work with the 2000, 2001, 2002 sliding and pocket door locks (-B, -T, -E, -C, -Oi, -COi)
- Other styles available (O, A, N)

S Style | Exposed Fasteners

S2002B

S2002E

S2002T

S2002C

S2002-Oi

S2002-COi



CS Style | Concealed Fasteners

CS2002B



CS2002E



CS2002T



CS2002C



CS2002-Oi



CS2002-COI



IS Style | Invisi-Mount (Screwless Mounting)

IS2002B



IS2002E



IS2002T



IS2002C



IS2002-Oi

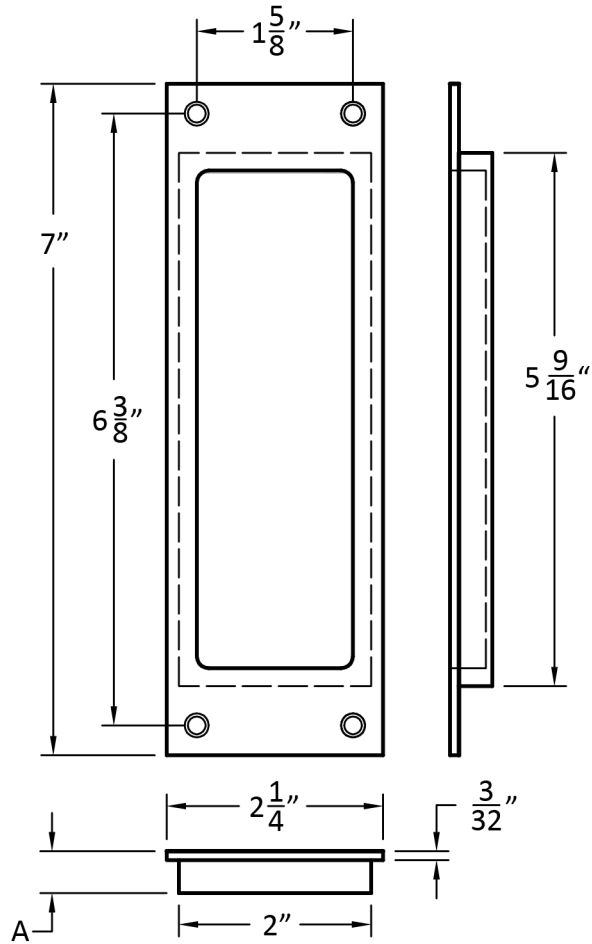


IS2002-COi

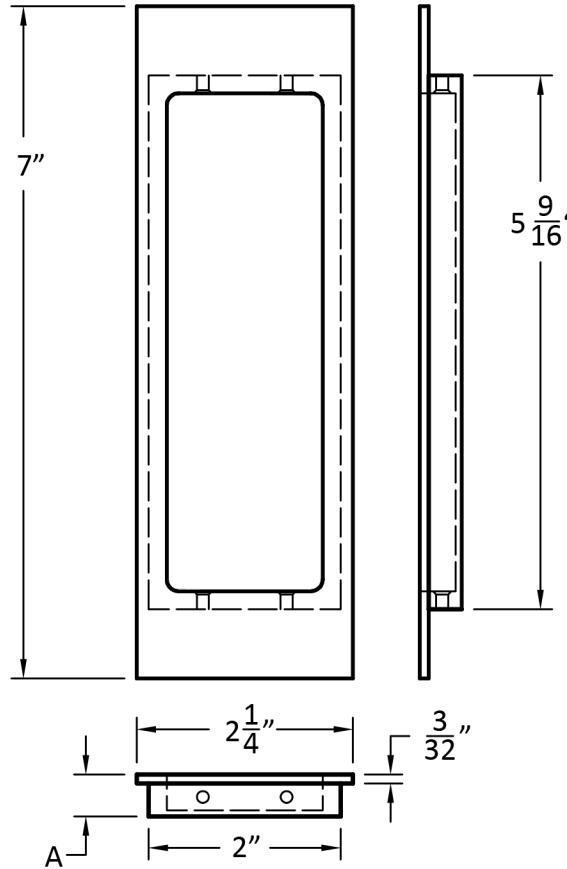


S Style Flush Pull | Dimensions

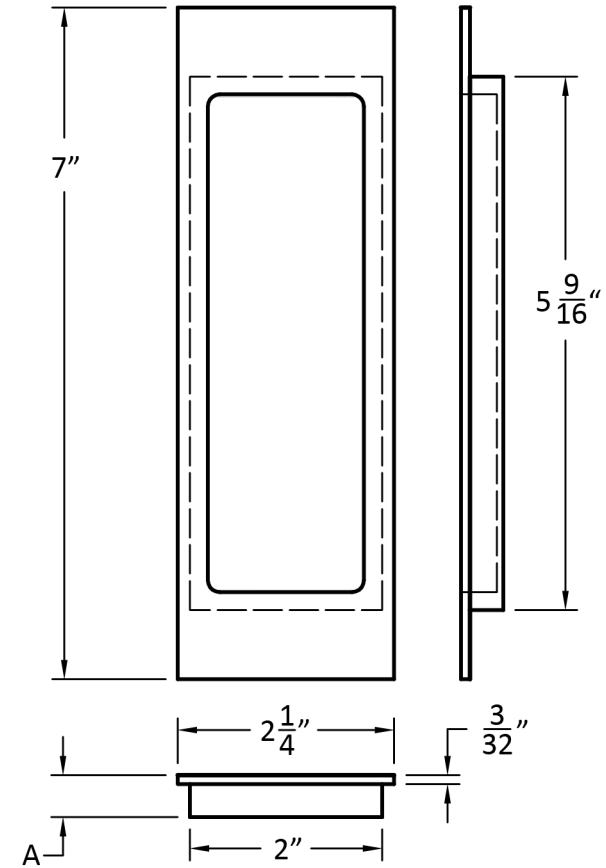
EXPOSED FASTENERS



CONCEALED FASTENERS



INVISI-MOUNT



**ACCURATE LOCK & HARDWARE
MANUFACTURERS OF LOCKS AND
CUSTOM ARCHITECTURAL HARDWARE**

1 Annie Place | Stamford, CT 06902

P: 203.348.8865

F: 203.348.5234

E: sales@accuratelockandhardware.com

www.accuratelockandhardware.com



AMERICAN CRAFTED
— SINCE 1972 —