



ACCURATE LOCK & HARDWARE

AMERICAN CRAFTED SINCE 1972

FE5001 FLUSH PULL

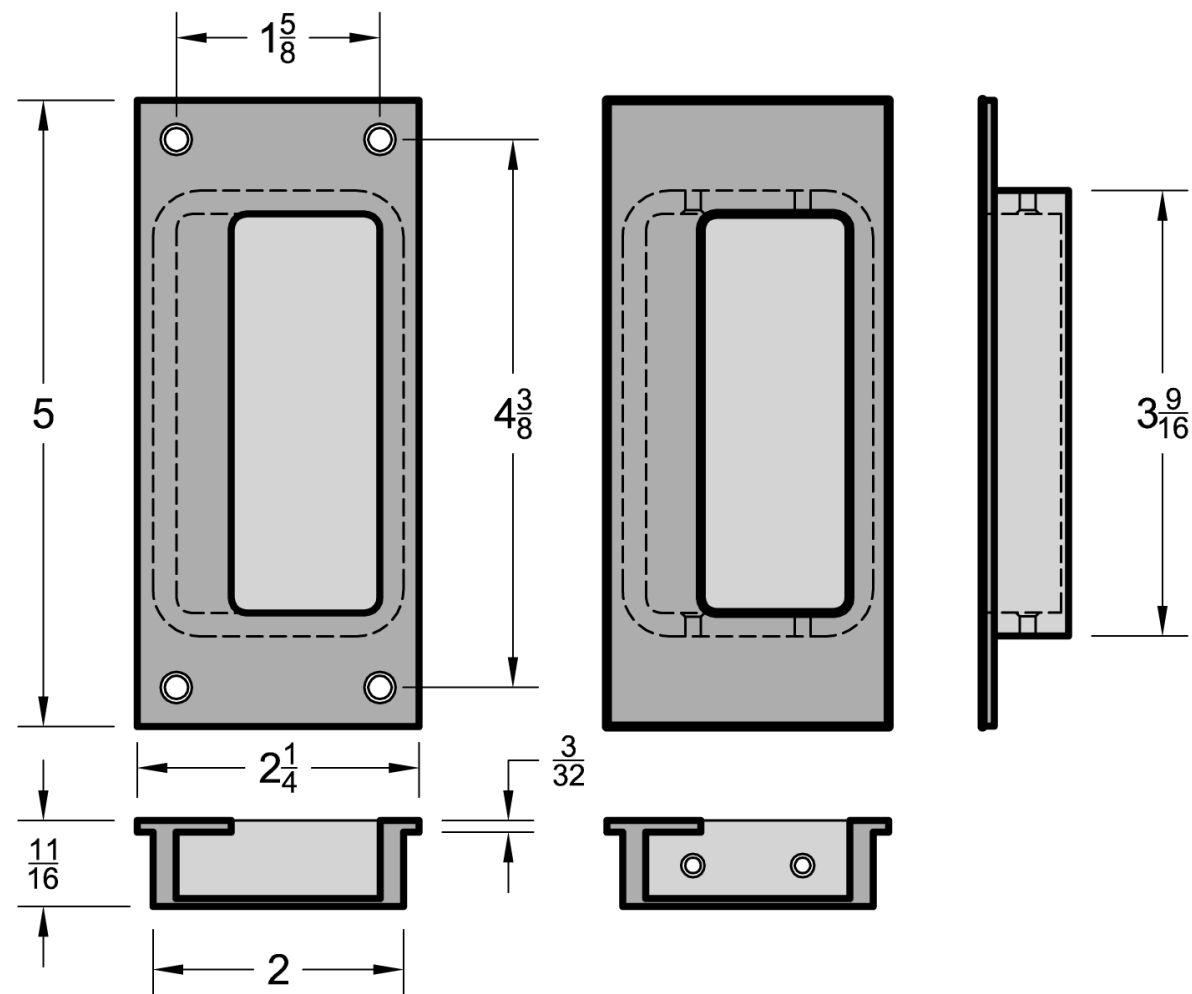
EXPOSED FASTENERS

BRASS	US15	22pcs
PART NUMBER: FC3004		

FE5001

5" RECTANGULAR FLUSH PULL, EXPOSED SCREWS

- Premium flush pulls machined out of solid brass
- Most architectural finishes available
- For use on pocket, sliding, or swinging doors



ACCURATE LOCK & HARDWARE
MANUFACTURERS OF LOCKS AND
CUSTOM ARCHITECTURAL HARDWARE

1 Annie Place | Stamford, CT 06902

P: 203.348.8865

F: 203.348.5234

E: sales@accuratelockandhardware.com

www.accuratelockandhardware.com



AMERICAN CRAFTED
— SINCE 1972 —