



# ACCURATE LOCK & HARDWARE

AMERICAN CRAFTED SINCE 1972

---

## FC3005 FLUSH PULL

CONCEALED FASTENERS

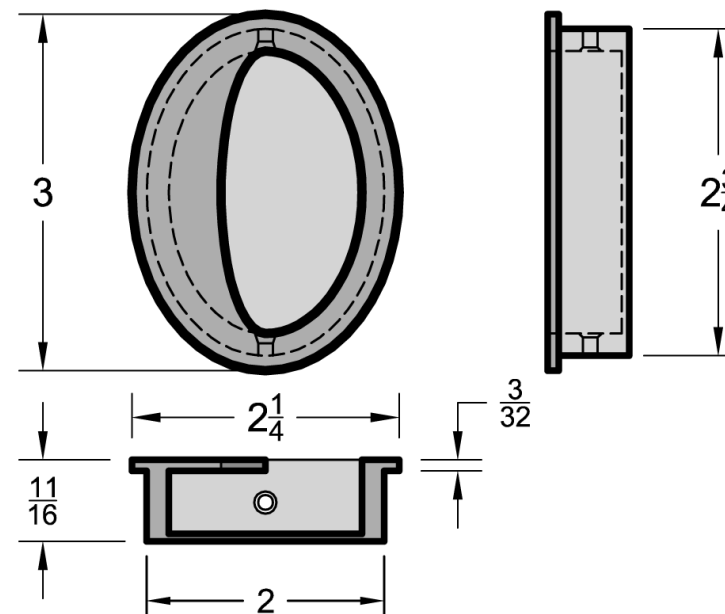
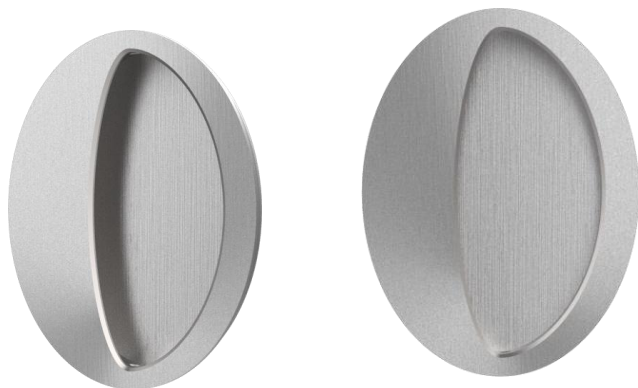
BRASS	US15	22pcs
FC3004		



# FC3005

## 3" OVAL FLUSH PULL, CONCEALED SCREWS

- Premium flush pulls machined out of solid brass
- Most architectural finishes available
- For use on pocket, sliding, or swinging doors



**ACCURATE LOCK & HARDWARE  
MANUFACTURERS OF LOCKS AND  
CUSTOM ARCHITECTURAL HARDWARE**

1 Annie Place | Stamford, CT 06902

**P:** 203.348.8865

**F:** 203.348.5234

**E:** sales@accuratelockandhardware.com

**www.accuratelockandhardware.com**



**AMERICAN CRAFTED  
— SINCE 1972 —**