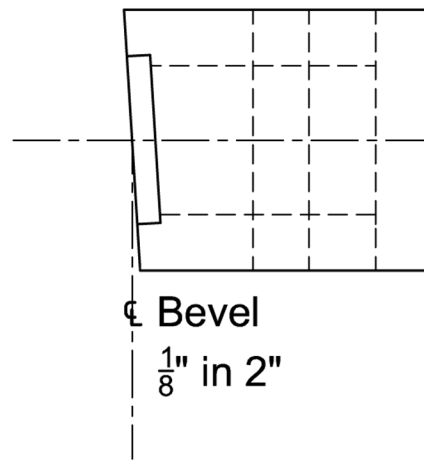
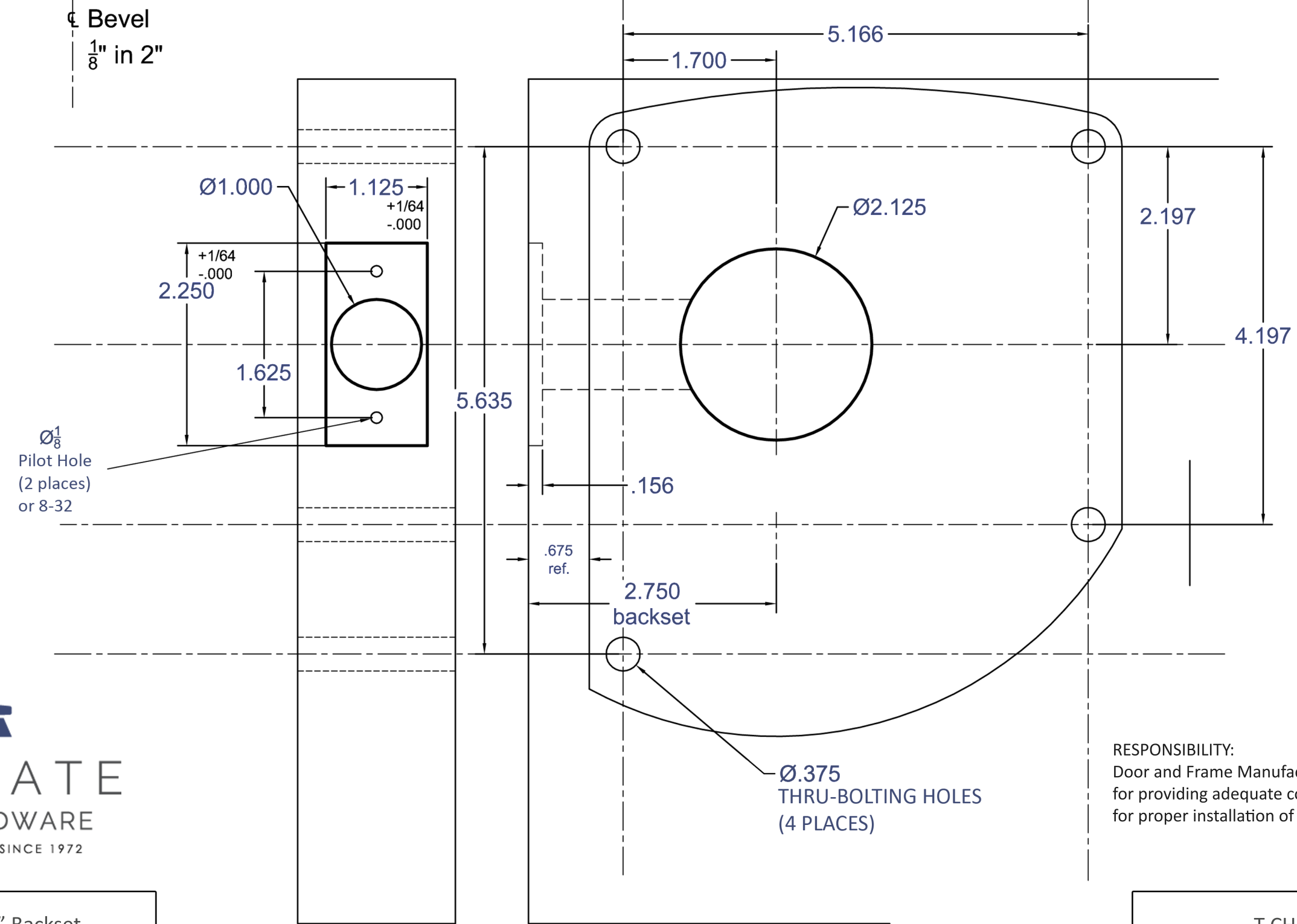
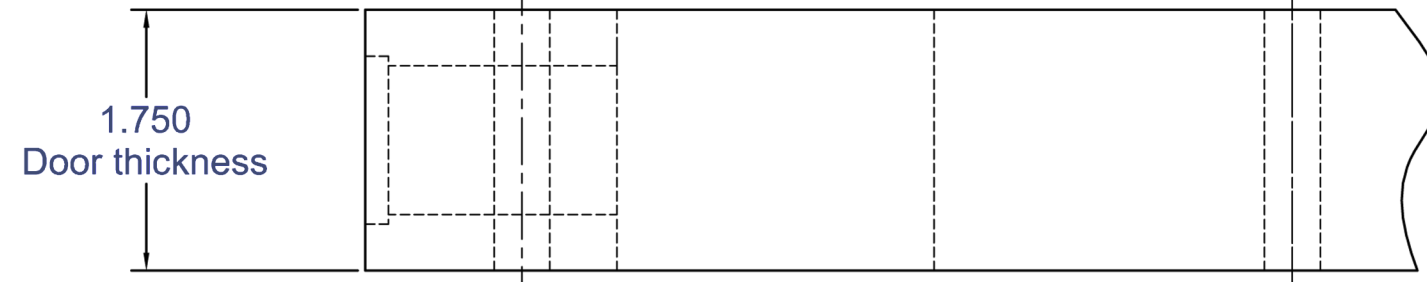


Beveled Edge



Square Edge



RESPONSIBILITY:
Door and Frame Manufacturers are responsible for providing adequate construction or reinforcement for proper installation of hardware shown.

CH-CYL x PC for 2 3/4" Backset

T-CH-CYLxPC