



ACCURATE  
LOCK & HARDWARE  
AMERICAN CRAFTED SINCE 1972

---

LIGATURE RESISTANT CRESCENT CYLINDRICAL SET

THE GOLD STANDARD FOR LIGATURE RESISTANCE + ADA COMPLIANCE

**CH-CYL-CLA**

# CRESCENT CYLINDRICAL SET

## CH-CYL

Cylindrical lock systems are popular in many hospital facilities, and conversion of these doors to mortise style can be labor intensive. The recommended Crescent Handle Cylindrical Lockset offers ease of installation and can quickly solve any retrofit issues with minimal disruption in a live unit for a quick patient safety upgrade.



# CRESCENT CYLINDRICAL SET

THE **GOLD STANDARD** FOR HIGH RISK ENVIRONMENTS

Supplied with a Grade 1 cylindrical lock, Accurate's CH-CYL sets are available in a variety of functions including, but not limited to: Classroom, Storeroom, Asylum, Entry and Dormitory/Institutional Privacy functions, fitted for conventional or IC cylinders to preserve existing keying systems. (A sample key-in-lever type core is required to ensure compatibility, or conventional cylinders can be supplied for maximum speed of delivery.)



**PAPERCLIP PROTECTION**  
Meets the Highest Safety Ratings

The Accurate Crescent Cylindrical Set has been recognized as Gold Standard hardware for behavioral healthcare facilities by NYS-OMH\*. This superior hardware solutions meets the industry's highest safety ratings including withstanding paperclip testing.



**QUICK SHIP**  
RMS Program

The 'RMS' Rapid Make + Ship Program offers quick delivery to bring your doors to compliance and ship within a week or less.

\*Reference page 39 in NYS-OMH Guide



## THE EVOLUTION OF THE CRESCENT HANDLE

The patented Crescent Handle has quickly become the standard for ligature resistance and accessibility. Partnering with leading healthcare agencies and institutions around the country, Accurate has continually evolved the product to the superior hardware it is today.



# SUPERIOR SAFETY RATINGS

ACCEPTED BY NEW YORK STATE OFFICE OF MENTAL HEALTH PATIENT SAFETY STANDARD



Lever style trim is not appropriate for high risk areas. It is nearly impossible to completely avoid ligature opportunities with lever style door trim, even if designed to be ligature resistant. At best, lever style door trim is only appropriate for medium and low risk areas.\*



As explained by the [NYS-OMH](#)\*

# CUSTOM ETCHING

## PERSONALIZED DETAILS

Most trim options can be designed to match any room aesthetic or theme in an effort to create a more inviting, soothing and personalized healing environment. From original artwork, to favorite characters, or corporate logos – possibilities are endless.



Examples of Custom Etched Crescent Trim

# CRESCENT CYLINDRICAL SETS

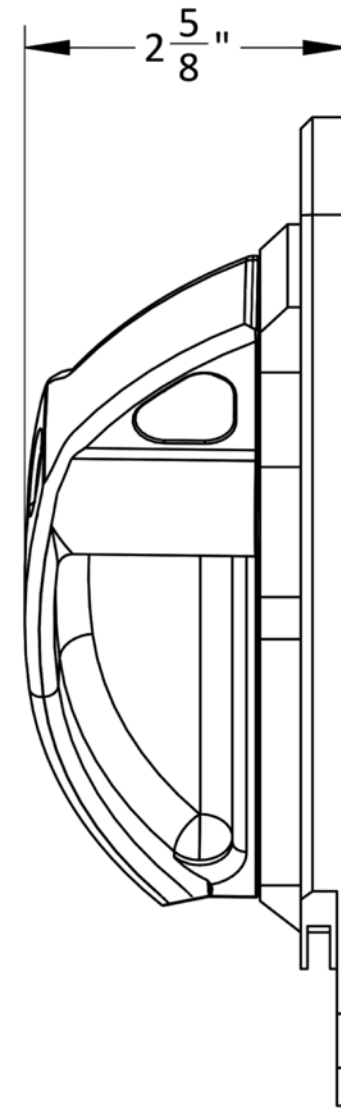
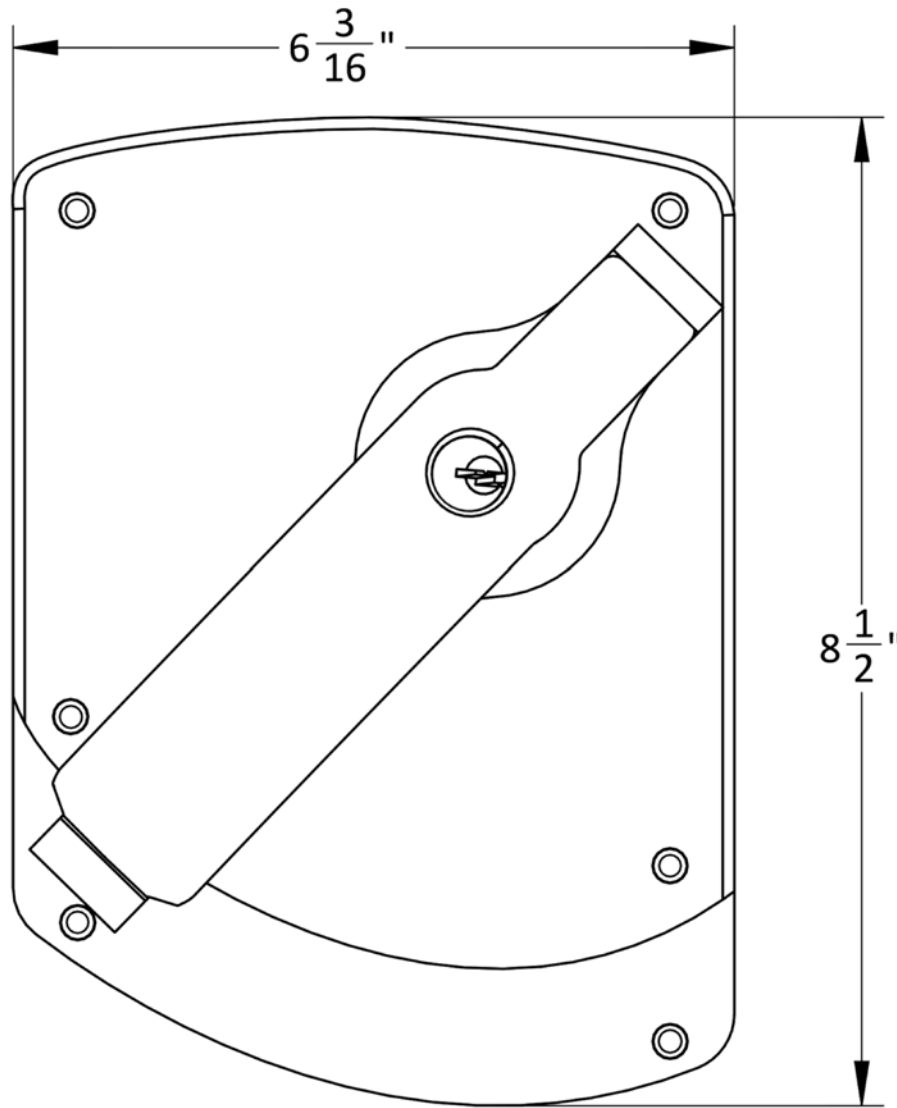
## THE SMART + SIMPLE SOLUTION

- The highest level of ligature resistance featuring Paperclip Protection
- UL Listed 3 Hour (R13846)
- For use on cylindrical (ANSI 161) door preparations
- Furnished with a Grade 1, UL listed cylindrical lock (less cylinders)
- Meets BHMA 156.34 Ligature Resistant Trim Standard
- Fitted for conventional or IC cylinders to preserve existing keying systems (a sample core is required) or furnished with conventional type cylinders (restrictions apply)
- Meets ADA requirements
- Available with Beveled Safety latch (specify with caution, see [here](#) for more information)
- 626/630 finish standard
- Supplied with Torx® Security Screws
- $2\frac{3}{4}$ " backset standard,  $3\frac{3}{4}$ " or 5" available for retrofit or specialty applications (e.g. replacement of non-compliant push/paddle sets or for integration with specialty stops for anti-barricade strategies)
- Dimensions:  $8\frac{1}{2}$ " high by  $6\frac{3}{16}$ " wide with a projection of  $2\frac{5}{8}$ "

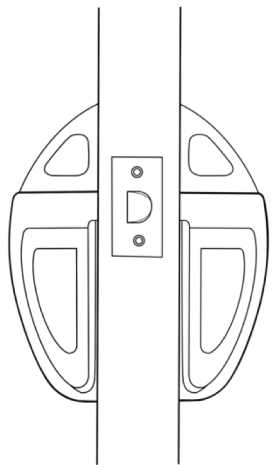


EXAMPLE OF CRESCENT CYLINDRICAL SET  
IN A HEALTHCARE SETTING

# CRESCENT CYLINDRICAL SET SPECS

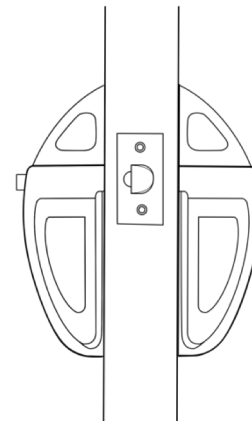


# CRESCENT CYLINDRICAL SET FUNCTIONS



## CH-CYL-PA (ANSI F75) PASSAGE OR CLOSET

Latch by handle either side.

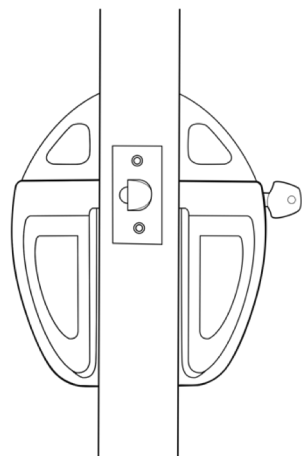


## CH-CYL-PRI (ANSI F76) PRIVACY / BATHROOM

Latch by handle either side unless outside handle is locked by inside button.

Turning inside handle or closing door releases button.

Emergency slot on outside handle unlocks and releases inside button.

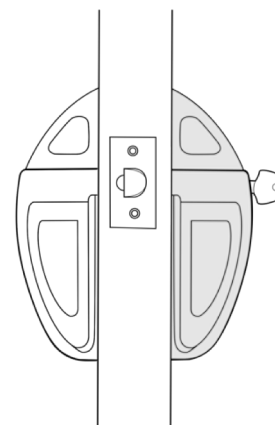


## CH-CYL-CLA (ANSI F84) CLASSROOM

Latch by handle either side unless outside handle is locked by key.

Key outside locks/unlocks outside handle and retracts latch.

Inside handle is always free.



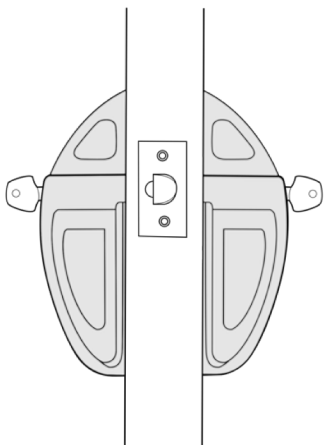
## CH-CYL-STO (ANSI F86) STOREROOM OR CLOSET

Latch by handle inside or key outside.

Outside handle rigid at all times



# CRESCENT CYLINDRICAL SET FUNCTIONS

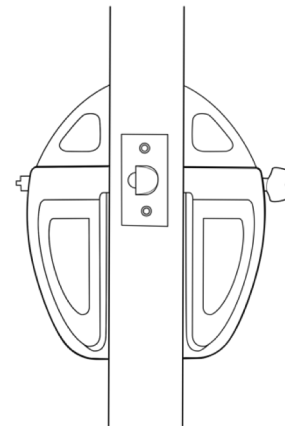


## CH-CYL-ASY (ANSI F87) ASYLUM OR INSTITUTIONAL

Both handles rigid at all times.

Latch by key either side.

*Verify code compliance before using this function.*

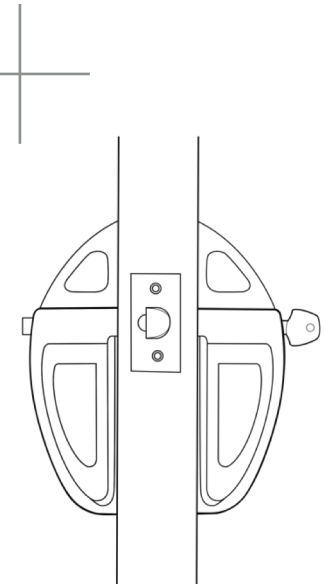


## CH-CYL-EN (ANSI F109) ENTRANCE OR OFFICE

Latch by handle either side unless outside handle is locked by push/turn-button inside.

Push button released by key outside or handle inside.

Latch by key outside when outside handle is locked.



## CH-CYL-F90 (ANSI F90) CORRIDOR, DORMITORY OR INSTITUTIONAL PRIVACY

Latch by handle either side unless outside handle is locked by push button inside or key outside.

Operating inside handle or closing door releases inside button but outside handle remains locked if locked by key.

Key outside locks or unlocks the outside handle and retracts latch bolt when locked.

## ELECTROMECHANICAL FUNCTIONS (SPECIAL ORDER)

For Conventional, and certain SFIC ONLY\*

CH-CYL-EL12V fail safe 12VDC

CH-CYL-EL24V fail safe 24VDC

CH-CYL-EU12V fail secure 12VDC

CH-CYL-EU24V fail secure 24VDC

FAIL SAFE: Power off, unlocks outside handle

FAIL SECURE: Power off, locks outside handle

Key retracts latch

Inside lever always allows egress

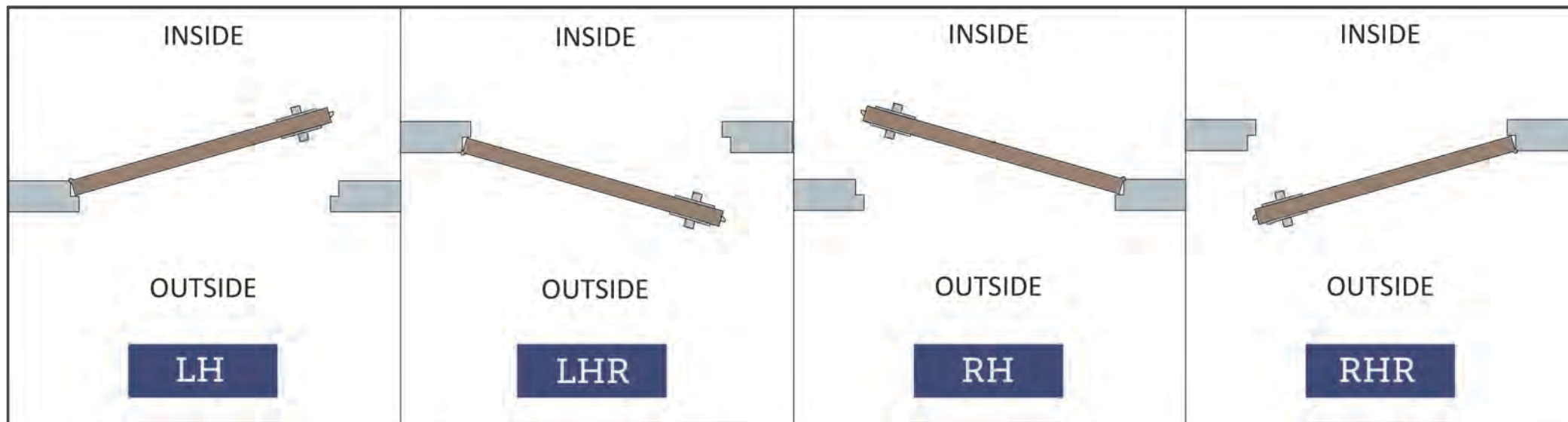
250mA at 24VDC or 500mA at 12VDC

Provided with ElectroLynxR 8-Pin Connector

\* A sample cylinder with control key MUST BE sent for evaluation and quote.

# HOW TO SPECIFY

## HANDING



## FINISHES

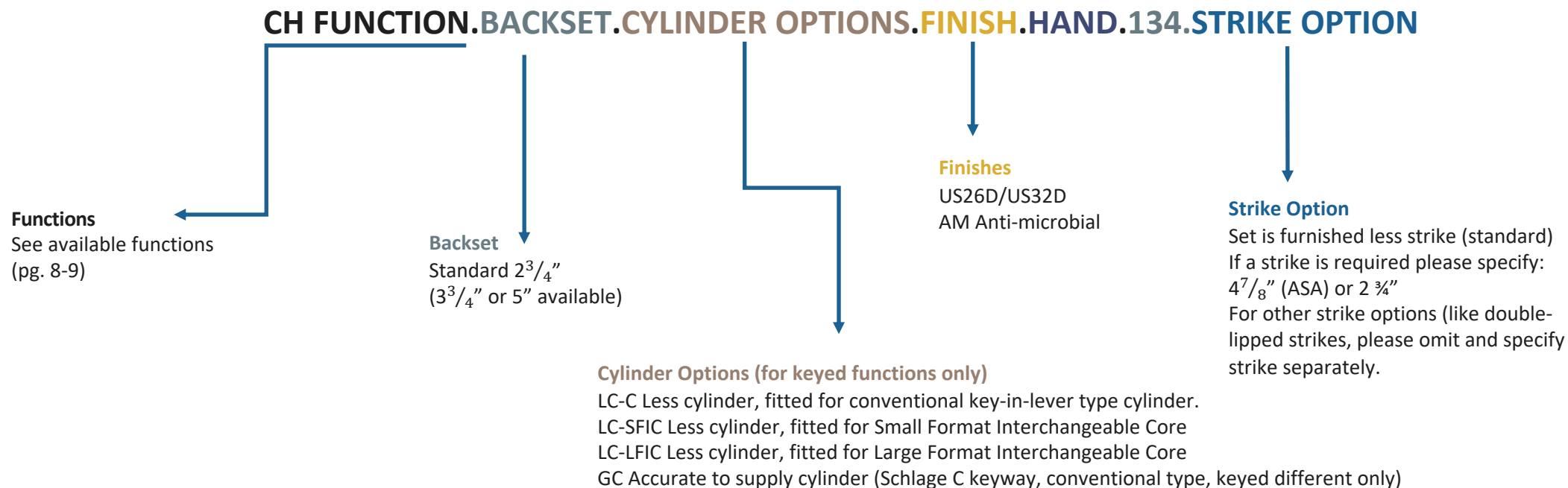
Standard Finish US26D/US32D.

Please [contact us](#) regarding availability of other finishes.

## CYLINDERS & KEYING

- All sets supplied less cores, fitted for conventional or IC cylinders to preserve existing keying systems (a sample core is required along with an order).
- Small and large format cores may carry an upcharge. Please call for assistance (a sample might be needed for evaluation and final quoting).
- Accurate can furnish conventional, key-in-lever type cylinders (Schlage C keyway, keyed different) upon request.

# HOW TO SPECIFY



## EXAMPLES

**Crescent Cylindrical | Classroom Lock | Fitted for Best SFIC | No Strike Required**

E.g.: CH-CYL-CLA.234.LC-SFIC.US26D.LH.134

**Crescent Cylindrical | Storeroom Door | Fitted for Conventional Cylinder | ASA Strike**

E.g.: CH-CYL-STO.234.LC-C.US26D.RH.134.478STK

**Crescent Cylindrical | Passage Door | 5" BACKSET to Replace Non-Compliant Push/Pull Set | 1 <sup>3</sup>/<sub>4</sub>" Thick Door | 2 <sup>3</sup>/<sub>4</sub>" T Strike Required**

E.g.: CH-CYL-PA.5.US26D.LH.134.234STK

### IMPORTANT:

- The CH-CYL Handles are machined specifically for the cylinder they will be used with, a sample cylinder **MUST** accompany every CH-CYL order.
- Most Cylinders can be accommodated; however, there are certain limitations.
- Small and large format cores may carry an upcharge. We strongly encourage sending a sample cylinder for evaluation prior to providing a firm quote.

Also available with Beveled Latch (BL), please specify with caution and evaluate each opening for what is most important: safety or security. See [here](#) for more.

**ACCURATE LOCK & HARDWARE  
MANUFACTURERS OF LOCKS AND  
CUSTOM ARCHITECTURAL HARDWARE**

1 Annie Place | Stamford, CT 06902

**P:** 203.348.8865

**F:** 203.348.5234

**E:** sales@accuratelockandhardware.com

**www.accuratelockandhardware.com**



**AMERICAN CRAFTED**  
**— SINCE 1972 —**