



ACCURATE
LOCK & HARDWARE
AMERICAN CRAFTED SINCE 1972

LIGATURE RESISTANT CRESCENT TUBULAR SET

THE GOLD STANDARD FOR LIGATURE RESISTANCE + ADA COMPLIANCE



CRESCENT TUBULAR SET

CH-TUB

An alternative retrofit option for existing low-traffic openings like closets or storage areas. The Crescent Tubular Lockset is designed for passage applications on non-fire rated doors.

CH-TUB



CRESCENT TUBULAR SET

THE **GOLD STANDARD** FOR HIGH RISK ENVIRONMENTS



PAPERCLIP PROTECTION Meets the Highest Safety Ratings

The Accurate Crescent Cylindrical Set has been recognized as Gold Standard hardware for behavioral healthcare facilities by [NYS-OMH](#)*. This superior hardware solutions meets the industry’s highest safety ratings including withstanding paperclip testing.

- For use on cylindrical (ANSI 161) door preparations
- 626/630 finish standard, anti-microbial plating available
- Supplied with Torx® Security Screws
- 2³/₄” backset standard, custom cover plates available for retrofit applications
- Dimensions: 8 1/₈” high by 4⁷/₁₆” wide with a projection of 2¹/₄”

*Reference page 39 in NYS-OMH Guide



THE EVOLUTION OF THE CRESCENT HANDLE

The patented Crescent Handle has quickly become the standard for ligature resistance and accessibility. Partnering with leading healthcare agencies and institutions around the country, Accurate has continually evolved the product to the superior hardware it is today.

SUPERIOR SAFETY RATINGS

ACCEPTED BY NEW YORK STATE OFFICE OF MENTAL HEALTH PATIENT SAFETY STANDARD



Lever style trim is not appropriate for high risk areas. It is nearly impossible to completely avoid ligature opportunities with lever style door trim, even if designed to be ligature resistant. At best, lever style door trim is only appropriate for medium and low risk areas.*

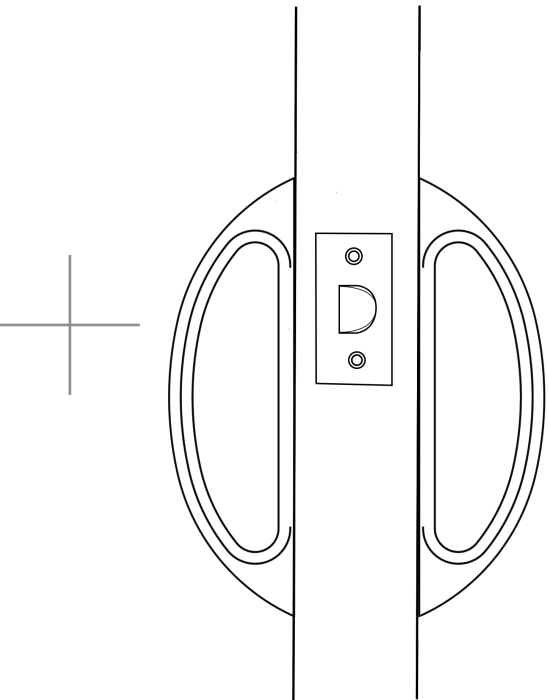


As explained by the [NYS-OMH](#)*

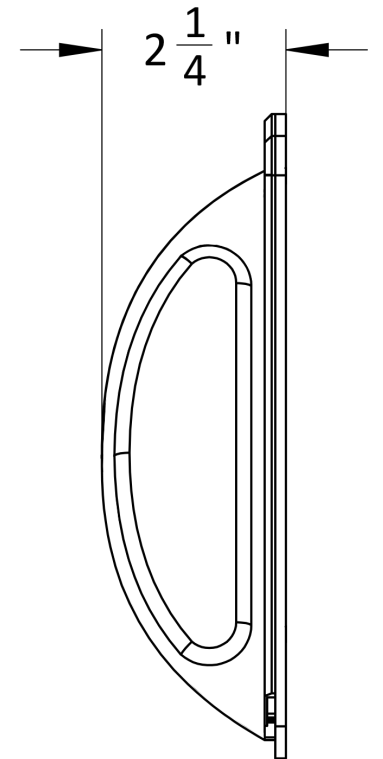
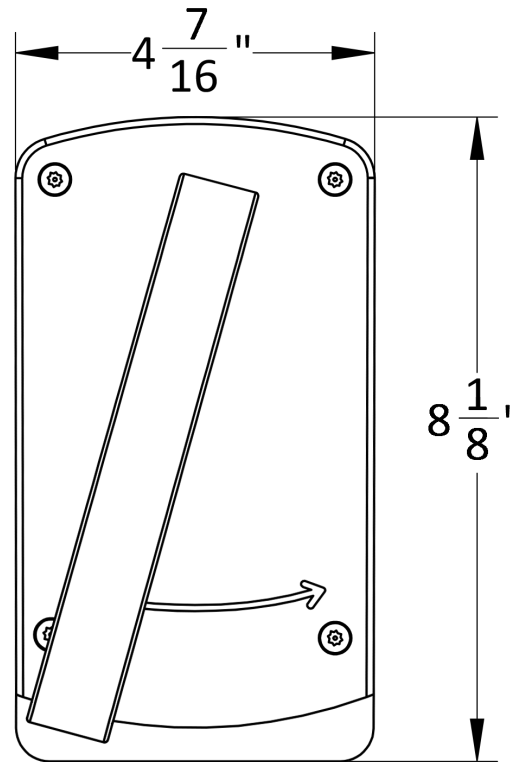
CRESCENT TUBULAR SET

FUNCTION

CH-TUB
Passage



SPECS



HOW TO SPECIFY

CH-TUB.BACKSET.FINISH.134



Backset

Standard 2³/₄"
(3³/₄" or 5" available)

Finishes

US26D/US32D
AM Anti-microbial

EXAMPLE

Crescent Handle | Tubular Passage Latch | No Strike Required

E.g.: CH-TUB.234.US26D.134



ACCURATE LOCK & HARDWARE
MANUFACTURERS OF LOCKS AND
CUSTOM ARCHITECTURAL HARDWARE

1 Annie Place | Stamford, CT 06902

P: 203.348.8865

F: 203.348.5234

E: sales@accuratelockandhardware.com

www.accuratelockandhardware.com



AMERICAN CRAFTED
— SINCE 1972 —