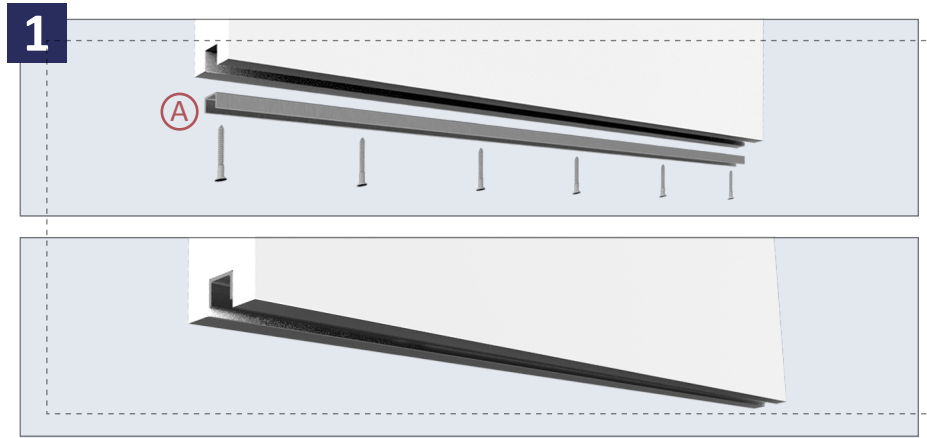


## Ligature Resistant Sliding Door System Fast Frame Installation Instructions

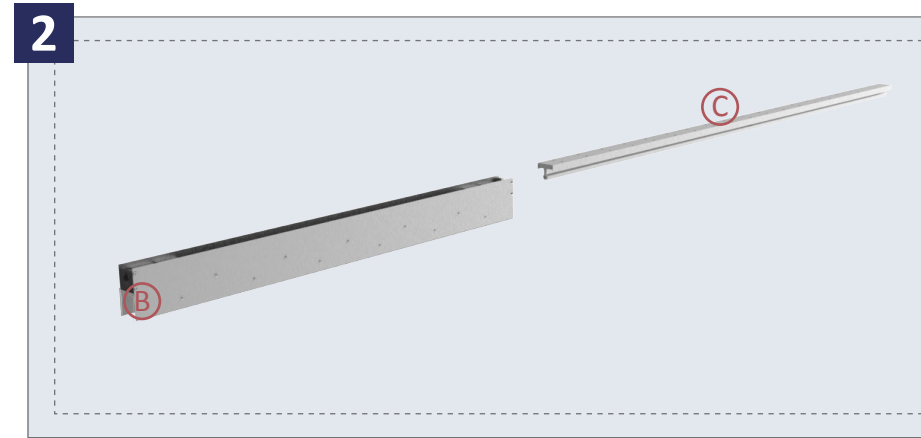
**LR-SDS-FF**  
Pre-Assembled  
Screws

- |   |  |   |  |   |   |  |  |  |   |
|---|--|---|--|---|---|--|--|--|---|
| <p><b>A</b></p> <p>#8-32 x 3/4" Socket head cap screws<br/>Bottom of Bearing Mounting Assembly into black pillow blocks<br/>Quantity: 4</p> | <p><b>B</b></p> <p>#8-32 x 3/4" Stainless Steel Tamper resistant security pin-in flat head screw<br/>Cover plate screws into black pillow blocks<br/>Quantity: 8</p> | <p><b>C</b></p> <p>#8-32 x 3/4" Stainless Steel Tamper resistant security pin-in flat head screw<br/>Cover plate screws into support blocks<br/>Quantity: ~14</p> | <p><b>D</b></p> <p>#8-32 x 3/4" Stainless Steel Tamper resistant security pin-in flat head screws<br/>Screws through front edge of black pillow blocks<br/>Quantity: 2</p> | <p><b>E</b></p> <p>1/4-28 x 3/4" Socket head cap screws<br/>Ball bearing block screws (hold ball bearing blocks to 1/4" thick bearing mounting bracket)<br/>Quantity: 4</p> | <p><b>F</b></p> <p>1/4-28 x 3/4" Socket head cap screws<br/>Support bearing block screws (secure the support bearing blocks to the 1/4" thick bearing mounting bracket)<br/>Quantity: 4</p> | <p><b>sA</b></p> <p>#8 x 1/2" Stainless Steel Tamper resistant security pin-in flat head screw<br/>Step #4<br/>Quantity: ~10</p> | <p><b>sB</b></p> <p>#8 x 2" Construction screws<br/>Step #10<br/>Quantity: ~40</p> | <p><b>sC</b></p> <p>#9 x 2 1/2" Construction screws<br/>Step #3<br/>Quantity: ~7</p> | <p><b>sD</b></p> <p>#8 x 3/4" Stainless flathead screws<br/>Step #1<br/>Quantity:</p> |
|---|--|---|--|---|---|--|--|--|---|



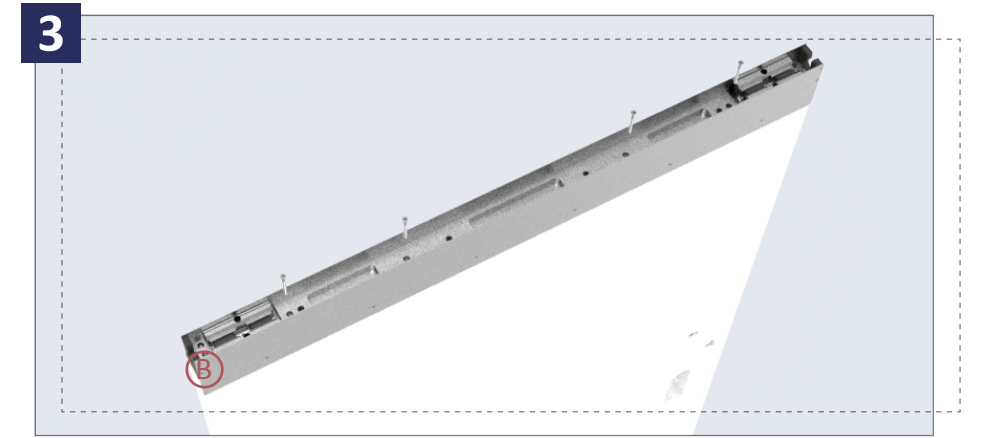
### 1 Install Bottom Guide Channel Liner

- Install the Bottom Guide Channel Liner (A) to the bottom of the door using screws provided (sD).



### 2 Separate Assemblies

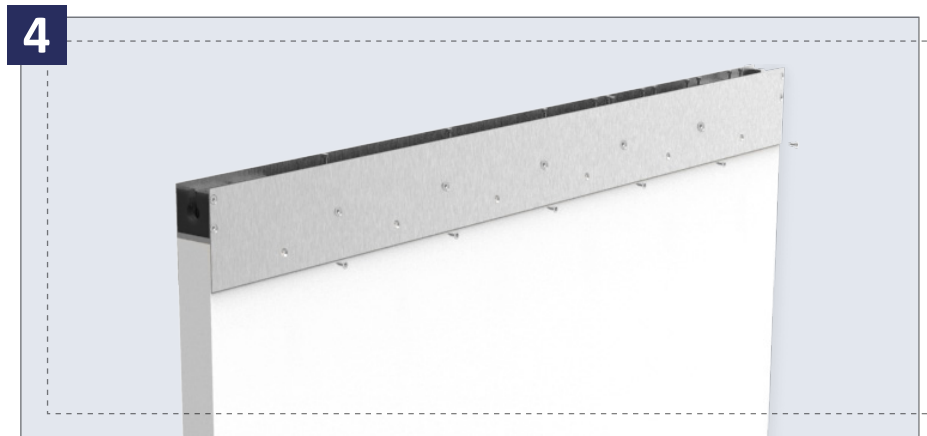
- Carefully slide the Bearing Mounting Assembly (B) off of the Bearing Track Assembly (C).



### 3 Place Bearing Mounting Assembly

- Place the Bearing Mounting Assembly (B) on top of door making sure that it is centered and plumb on the door. The Bearing Mounting Assembly is designed to be exactly as wide as the door so each end of the assembly should be flush to each end of the door. Use screws provided (sC) to secure the assembly to the door.

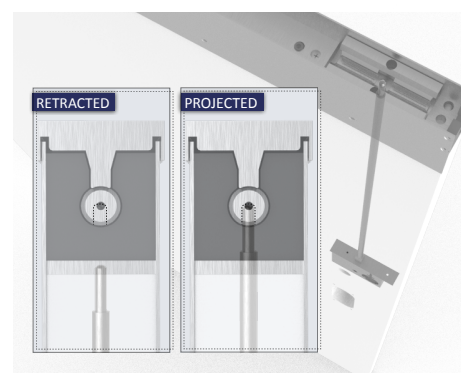
**PLEASE NOTE:** The Ball Bearing Blocks are pre-assembled loosely to the 1/4" thick mounting bracket with Socket head screws (E). **DO NOT TIGHTEN** - blocks need to have some movement. If accidentally tightening the screws, back off by about 1/8 turn.



### 4 Screw Down Cover Plates

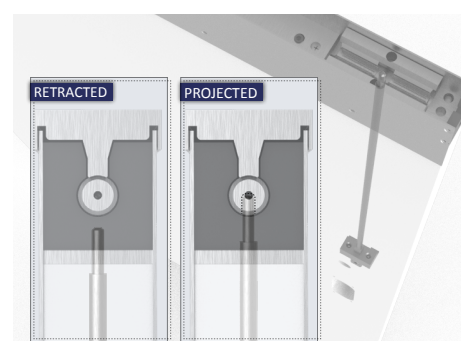
- Screw down Cover Plates (D) to the door with provided security screws (sA).

## LR-SDS-FF Locking/Latching Hardware Installation



#### 9500-VR Vertical Rod Lock

- If using a 9500-VR vertical rod lock, install the lock and components in the door per the template. Before the Bearing Mounting Assembly is installed on the top of the door, screw down the threaded bolt through the top of the door down into the lock so that the bolt projects above the top of the door *when in the retracted position*. Then install the Bearing Mounting Assembly- the bolt should project 1/8" into the 1/4" thick Bearing Mounting bracket.

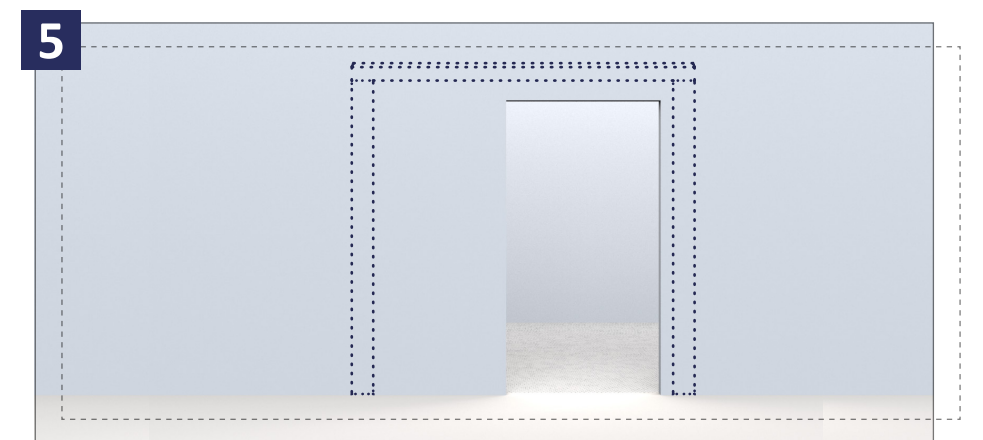


#### 161-VR Vertical Rod Lock

- If using the 161 VR, the rod can be installed after the Bearing Mount Assembly is installed. Screw down into the lock so that it projects about 3/8" above the top of the door *when in the retracted position*.

#### \*9100 Locking/ Self-Latching Vertical Rod Latch

Please refer to "Installing Self Latching/Locking Hardware" Installation Instructions for details on page 3.



### 5 Preparing for Fast Frame Kit

- Add blocking to wall studs to accept the Fast Frame side posts
- Mark the wall where you want the Fast Frame side posts to be installed. This location is predetermined based on the designed layout.

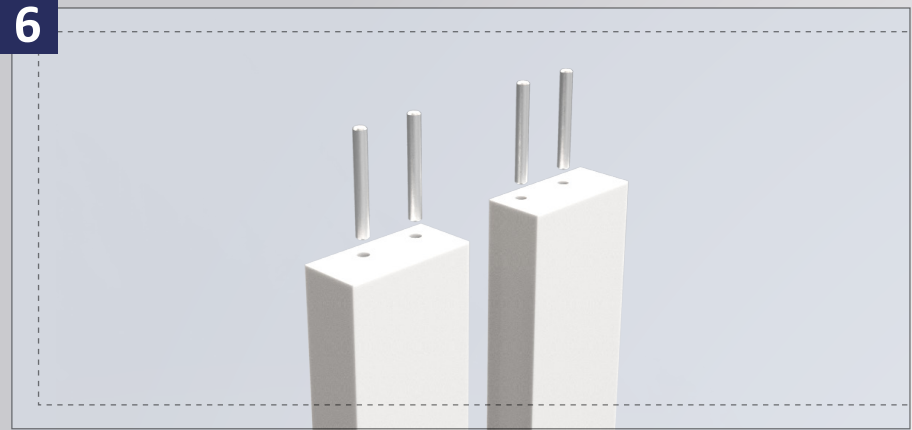
## Contact

1 Annie Place | Stamford, CT 06902  
P: 203.348.8865  
E: sales@accuratelockandhardware.com  
W: www.accuratelockandhardware.com



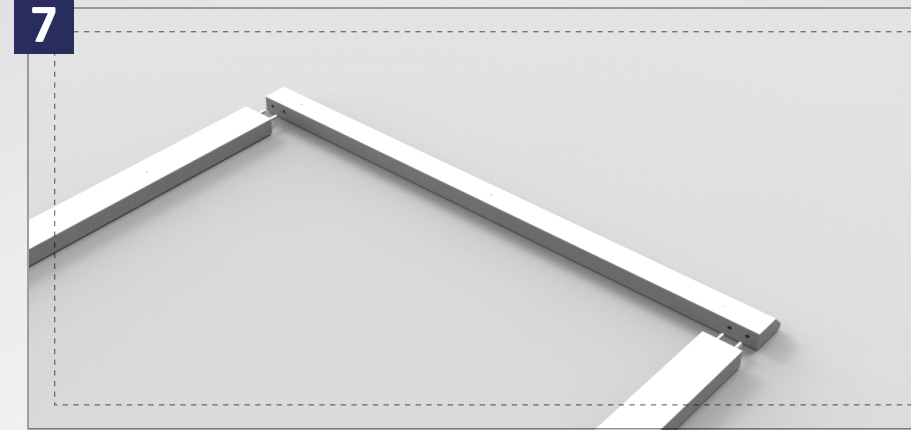
Scan this QR Code for installation video.

## Ligature Resistant Sliding Door System Fast Frame Installation Instructions



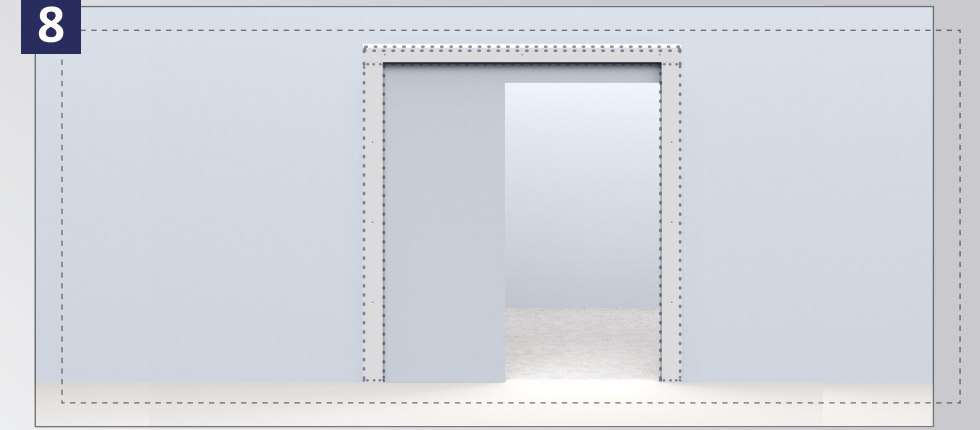
### Dowel Pins on Side Posts

- Install (2) dowel pins into top of each Fast Frame side post (use rubber mallet, if necessary).



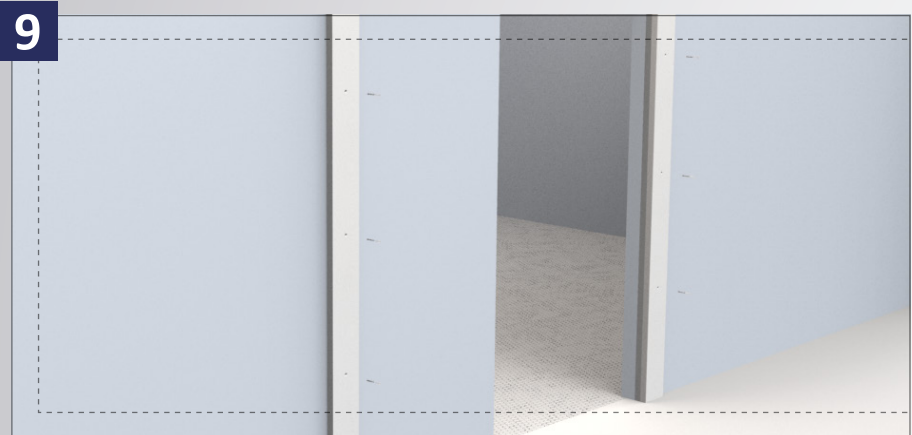
### Assemble Header on Posts

- Lay down the Fast Frame to assemble the header to the side posts.



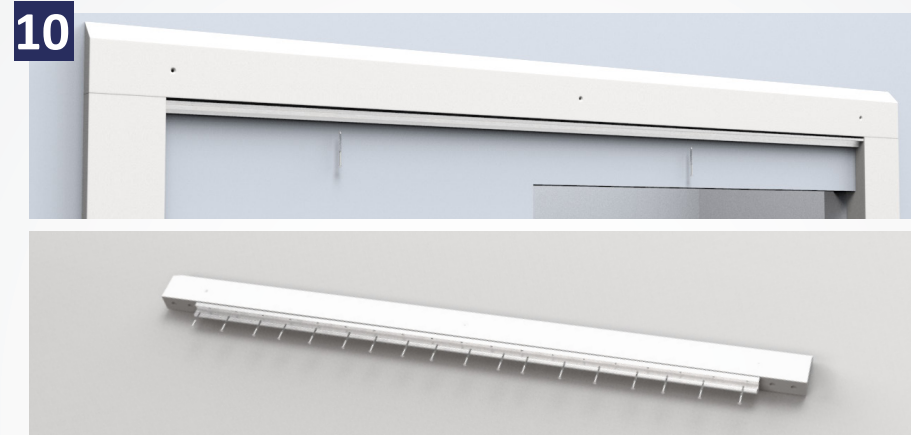
### Place Fast Frame on Wall

- Place the Fast Frame against the wall in the marked position.



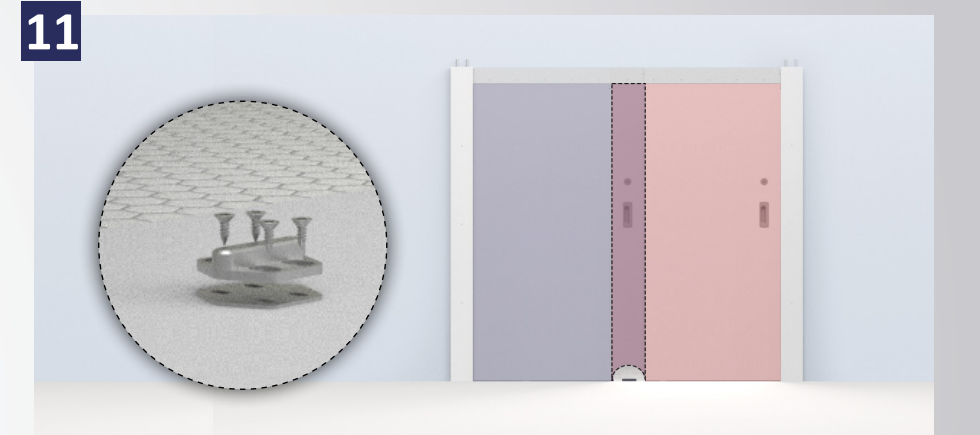
### Anchor Side Posts to Wall

- Anchor the side posts to the wall with lag bolts (typically three per post).
- Cover exposed lag bolts with approved method.



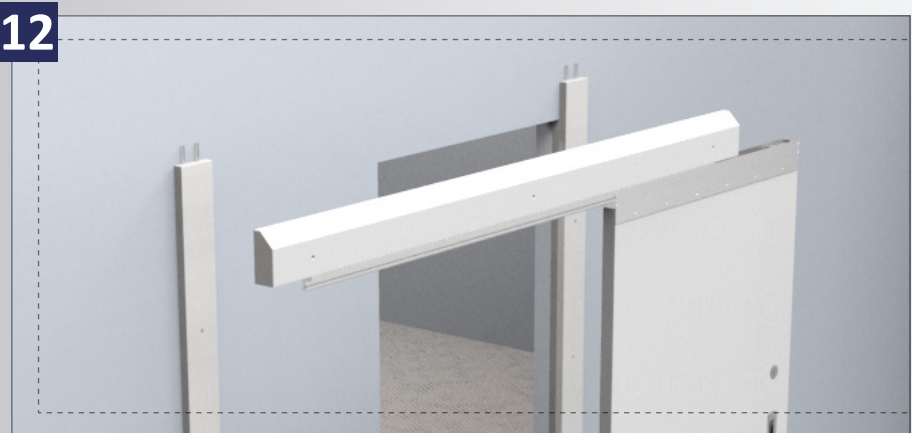
### Screw Track to Header

- Position the track underneath the header against the wall. Screw the track to the header with two screws to establish the correct position within Fast Frame assembly.
- Remove header and finish screwing down the track. (sB)



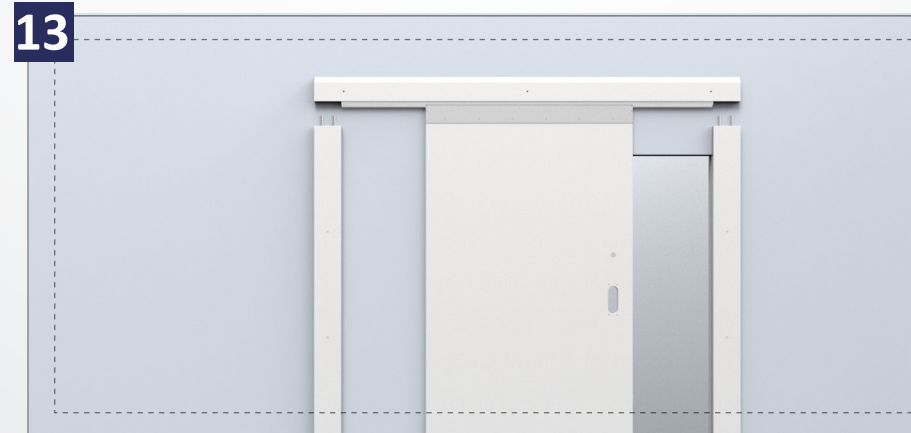
### Install Floor Guide

- Install floor guide. It should be positioned such that it is always concealed (within the overlap of door coverage when the door is fully open and fully closed).



### Slide Header Onto Door

- Place the door upright and **carefully** slide the header/track across the door. Make sure the header/track enters and moves through the Top door mounting assembly straightly and plumb.



### Assemble Header on top of Side Posts

- **CAREFUL:** Raise Door over the side posts, align header holes with dowel pins and drop down on top of side posts and over the floor guide (use rubber mallet, if necessary).

**NOTE:** Keep hands away from in between the bottom of header and top of side posts!



### Anchor Header to Wall

- Fasten the header to the wall with lag bolts.
- Lastly, slide the door to make sure it moves freely and easily.