



ACCURATE

LOCK & HARDWARE

AMERICAN CRAFTED SINCE 1972

SL-LR-SDS with Smoke Seal

Ligature Resistant Sliding Door System

IMPROVE SAFETY. SAVE SPACE. ENHANCE PATIENT DIGNITY.

SL-LR-SDS

SELF-LATCHING LIGATURE RESISTANT SLIDING DOOR SYSTEM

SMOKE SEAL

- Available with a smoke seal for required openings (corridors, patient rooms, etc.)

SEAMLESS

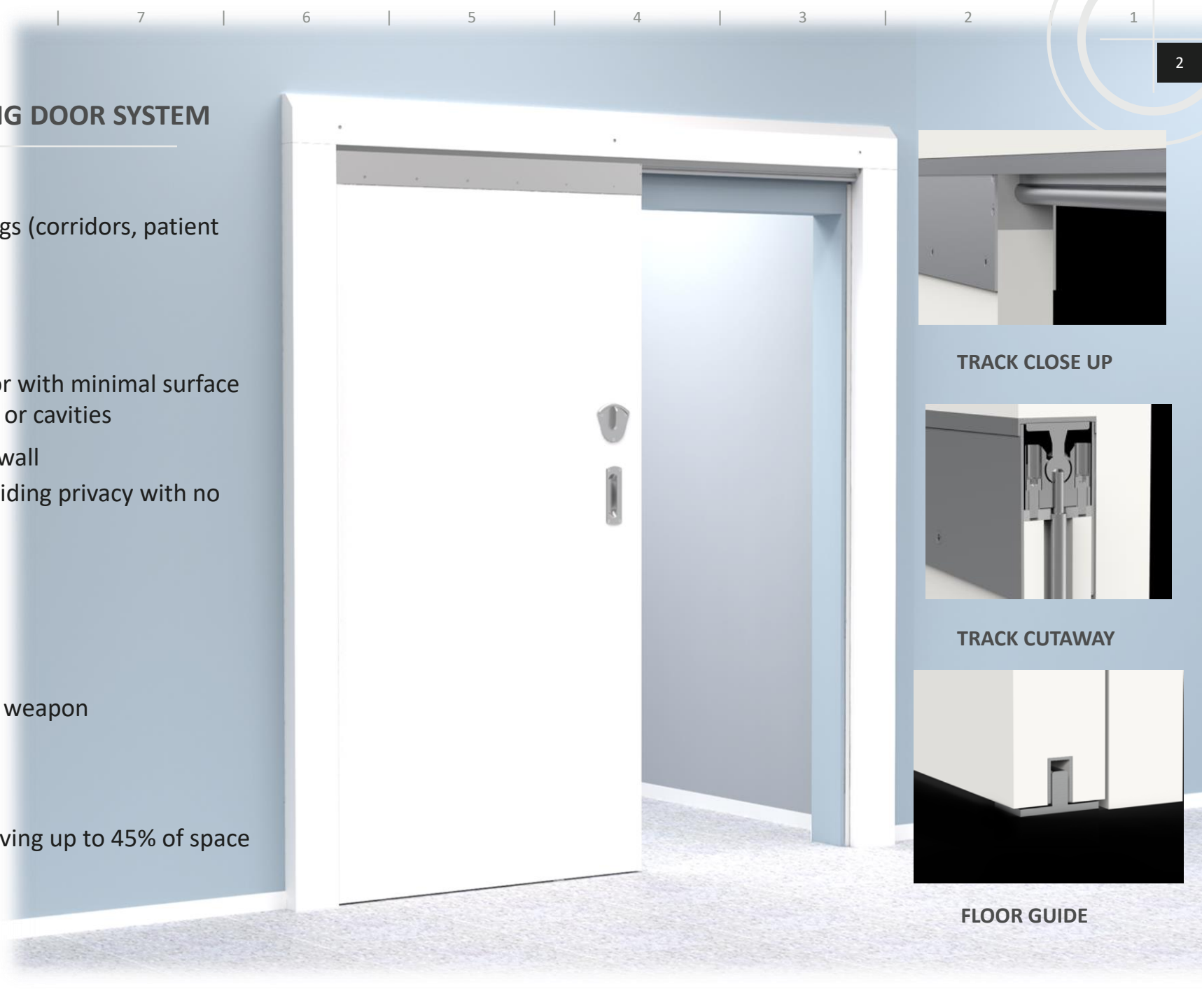
- Concealed track system hangs a 1³/₄" thick door with minimal surface applied gap without any exposed anchor points or cavities
- Concealed floor guide keeps door flush against wall
- Concealed vertical rod bolt locks into track providing privacy with no accessible latch bolt or strike
- Ligature resistant thumb turn and flush pull

SAFE

- Top door edge not accessible as a ligature point
- Eliminates barricade tactics and using door as a weapon

SPACE SAVING

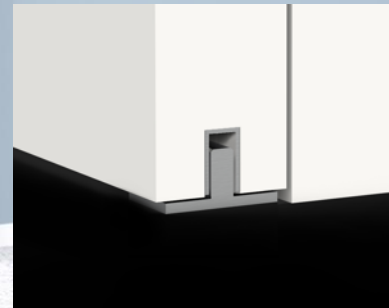
- Contributes to a smaller patient room design saving up to 45% of space



TRACK CLOSE UP



TRACK CUTAWAY



FLOOR GUIDE

SL-LR-SDS Smoke Seal

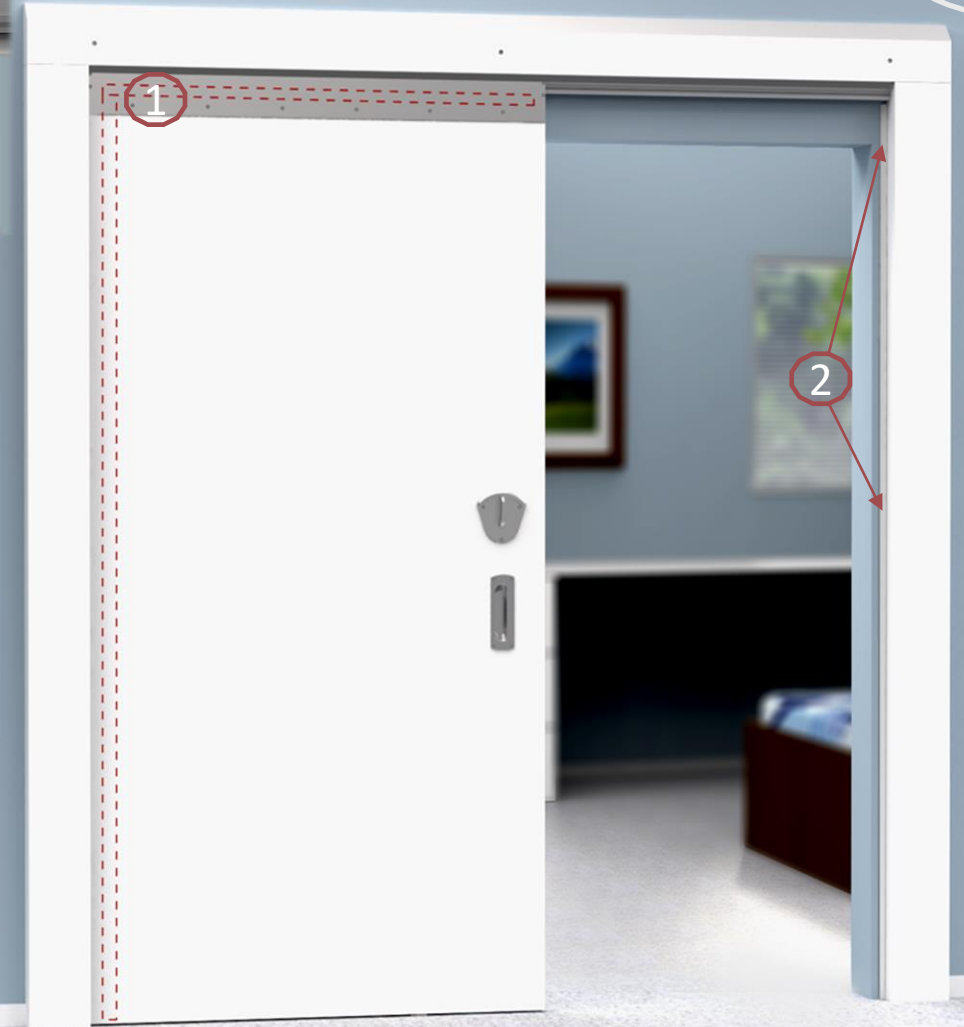
- Ideal for use on corridor patient rooms and other areas that may require smoke seals
- Smoke tested ANSI/UL 1784-2015: the Standard for Air Leakage Tests of Door Assemblies
- **Exceeds the International Building Code test minimum by 3x**
 - The test requires that the air leakage rate of the door assembly is not to exceed 3.0 cubic feet per minute per square foot of door opening. The LR-SDS only let in .92 cubic square feet per minute.
- Available in a variety of functions including passage, classroom, and institutional privacy all featuring a concealed top latch.



SMOKE STRIP ON BACK OF DOOR



SMOKE STRIP ON DOOR FRAME



SL-LR-SDS

FOR BEHAVIORAL HEALTHCARE ENVIRONMENTS

DURABILITY

- Internal testing of a static 500lb load was applied to the bottom third of a flush wood door at the mid-point of the opening. No damage was observed after load forced was removed and door subsequently performed as intended.
- The LR-SDS is available with a Ligature Resistant Shoe (when ordered) that provides structural integrity against lateral forces applied by patient abuse.* This captures the lower leading edge of the door when in the closed position.
- Withstood simulated abuse testing by architectural consultant with door 6" open.

**The use of reinforced hollow metal doors is recommended for high abuse environments.*

LOAD CAPACITY

- There are two ball bearing blocks, each having a dynamic load capacity of 1240lbs

Please note: There is currently no "Open Door" ASTM/ANSI/ASHE performance standards for sliding doors beyond ADA compliance, acoustics and force applied to them. Existing standards only evaluate a closed and secure door.



LR-SDS: Functions



SL-LR-SDS-0 SELF-LATCHING PASSAGE

Non-locking function.

Solution includes:

- Ligature resistant track
- (2) U7001AL Flush Pulls
- (2) LR-ADA Thumb turns
- Concealed vertical latch

SL-LR-SDS-45 CLASSROOM

Concealed vertical latch operated by handle inside.

Operating handle inside will always retract latch.

Key will lock or unlock the outside handle.

Solution includes:

- Ligature resistant track
- Concealed vertical latch
- (1) LR-ADA-F thumb turn (handle)
- (1) SL-LR-SDS-CH-C Crescent Handle

SL-LR-SDS-44 CLASSROOM WITH PRIVACY RESET

Concealed vertical latch operated by handle both sides unless outside handle is locked by thumb turn inside or key outside.

Operating inside handle will automatically unlock the outside handle.

Key will lock or unlock the outside handle and indicate status.

Solution includes:

- Ligature resistant track
- Concealed vertical latch
- (2) LR-ADA-F thumb turns
- (1) SL-LR-SDS-CH-C Crescent Handle

SL-LR-SDS-45i CLASSROOM WITH INDICATOR

Concealed vertical latch operated by thumb turn inside.

Key will lock or unlock the outside handle.

Solution includes:

- Ligature resistant track
- Concealed vertical latch
- (2) LR-ADA-Fi thumb turns
- (1) SL-LR-SDS-CH-Ci Crescent Handles

SL-LR-SDS-44i CLASSROOM WITH PRIVACY RESET WITH INDICATOR

Concealed vertical latch operated by handle both sides unless outside handle is locked by thumb turn inside or key outside.

Operating inside handle will automatically unlock the outside handle.

Key will lock or unlock the outside handle and indicate status.

Solution includes:

- Ligature resistant track
- Concealed vertical latch
- (2) LR-ADA-Fi thumb turns
- (2) SL-LR-SDS-CH-Ci Crescent Handles

Fast Frame Kit

Available upon request, specify FF

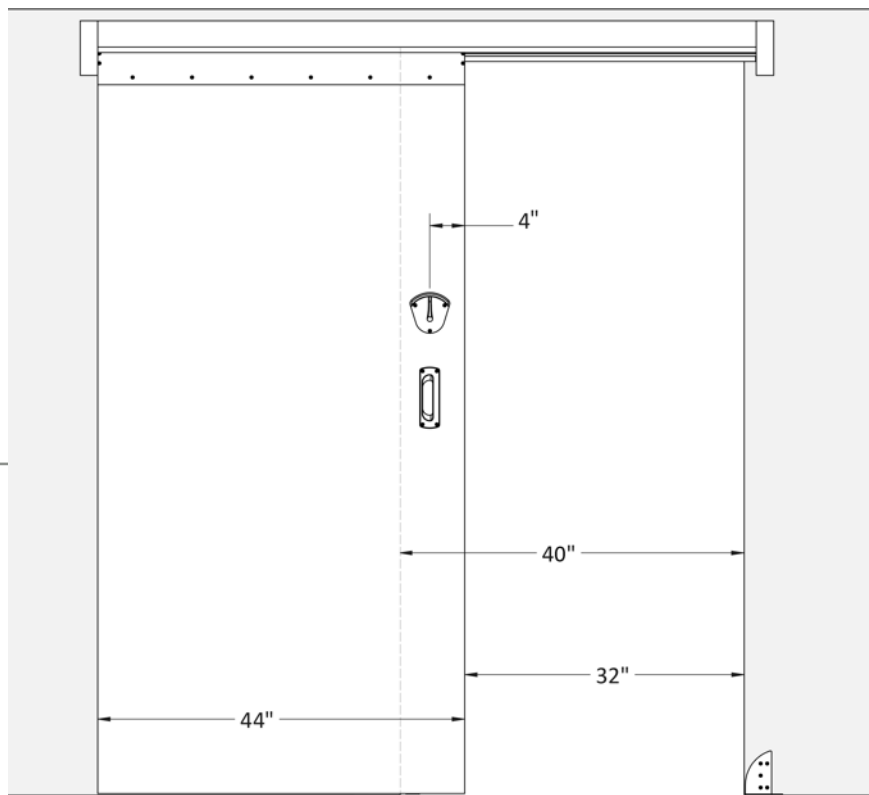


FAST FRAME KIT

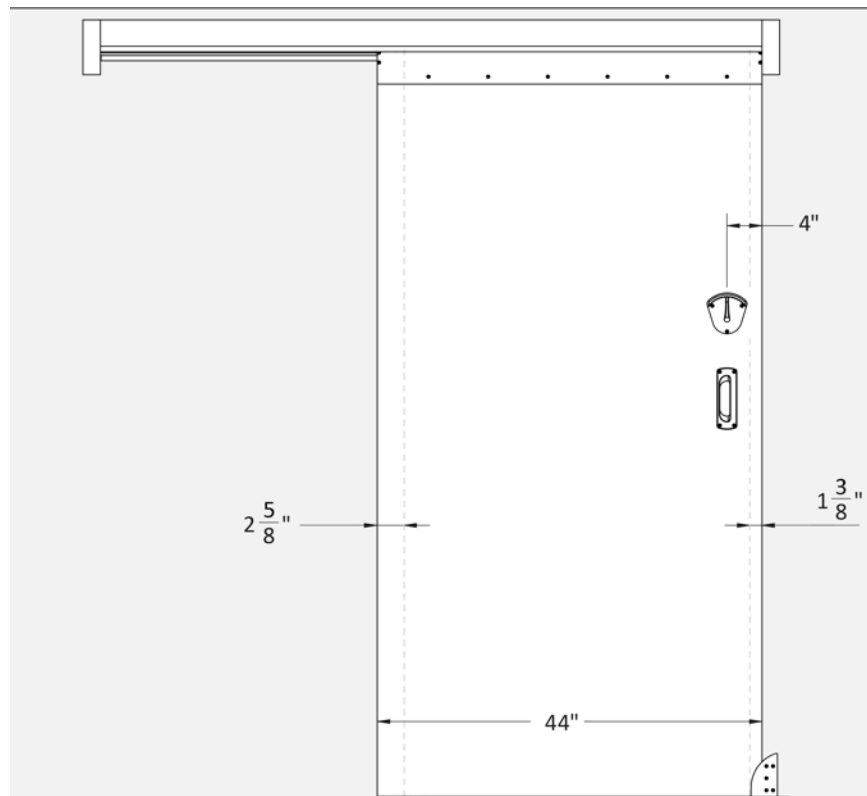
- Includes: 2 side rails, 1 top rail with factory-installed track
- Allows 2 people to install the door in approximately 20 minutes
- Once simple blocking has been added to the wall studs surrounding the door, side rails can be installed first, followed by the time frame with track
- Results in a seamless frame around the door

SL-LR-SDS: Opening Specifications, Outside View

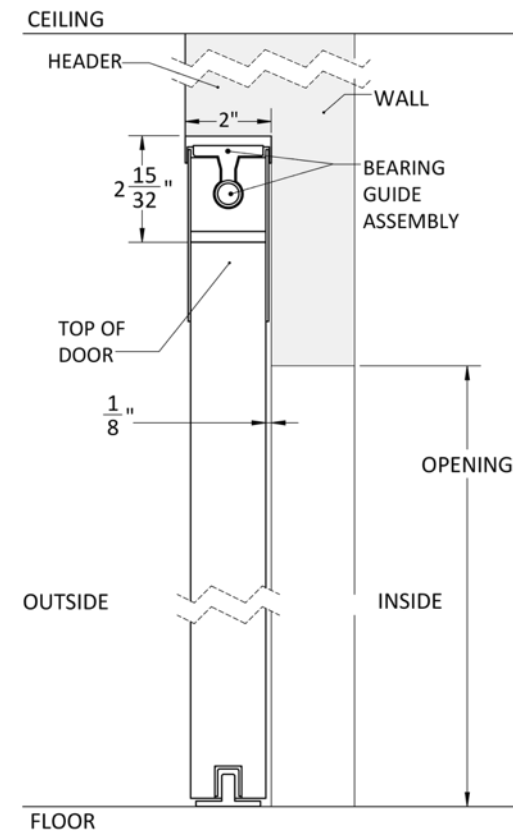
SL-LR-SDS-0 SELF-LATCHING PASSAGE FUNCTION



OPEN



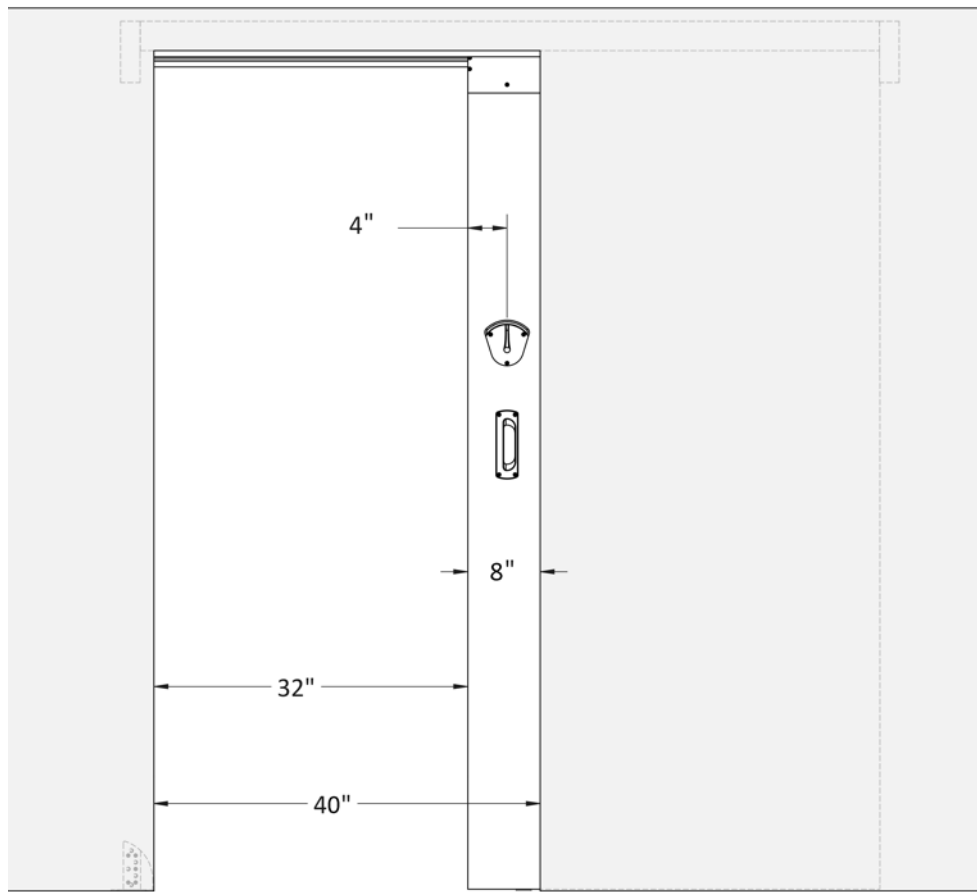
CLOSED



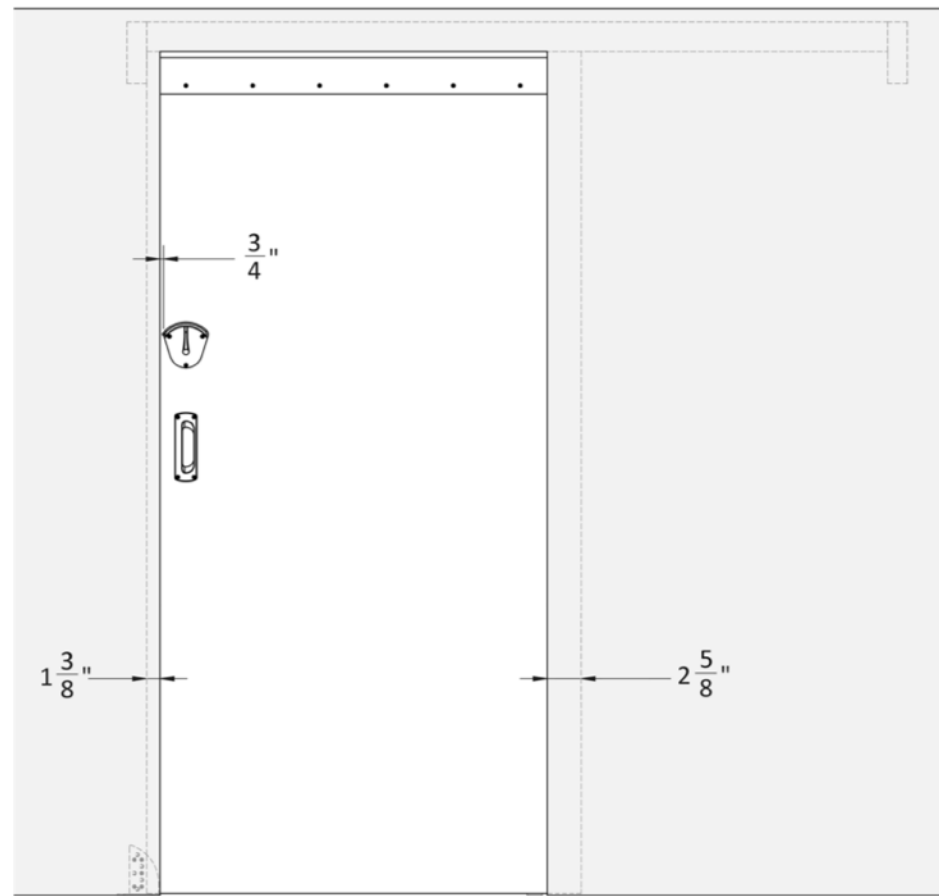
**RECOMMENDED
HEADER**

SL-LR-SDS: Opening Specifications, Inside View

SL-LR-SDS-0 SELF-LATCHING PASSAGE FUNCTION



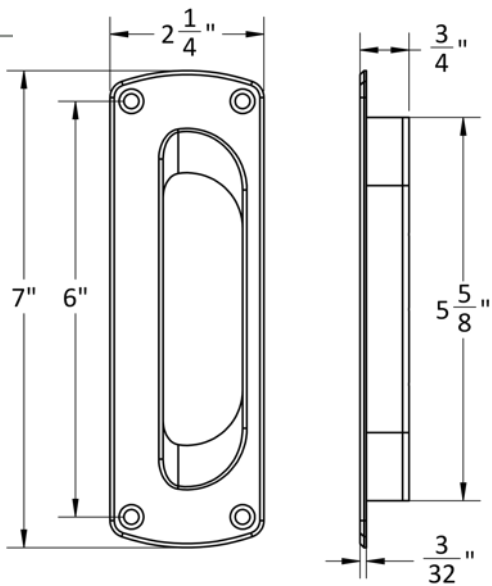
OPEN



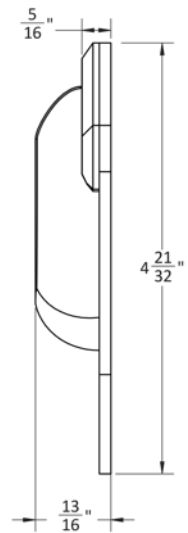
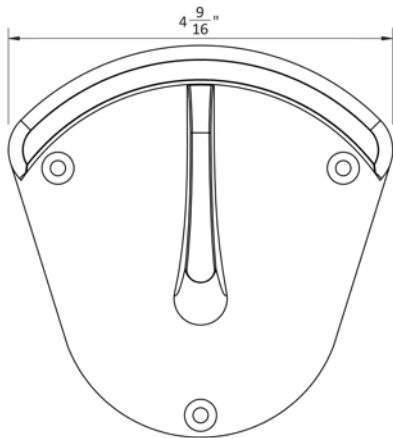
CLOSED

LR-SDS: Components

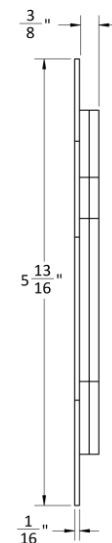
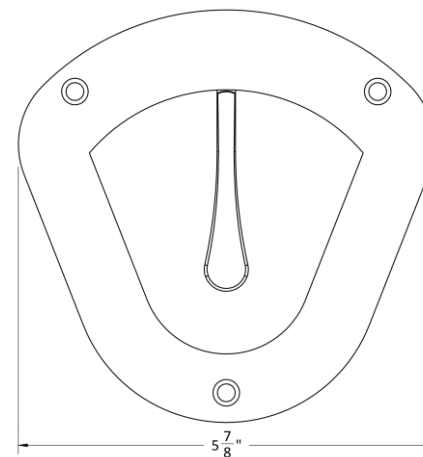
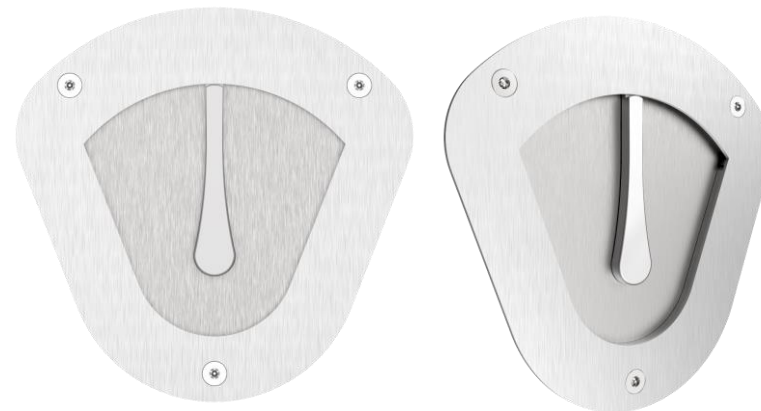
**U7001AL
FLUSH PULL**



**LR-ADA
THUMB TURN**
Furnished Standard

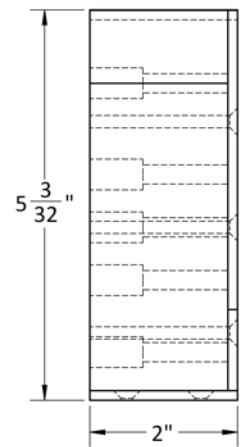
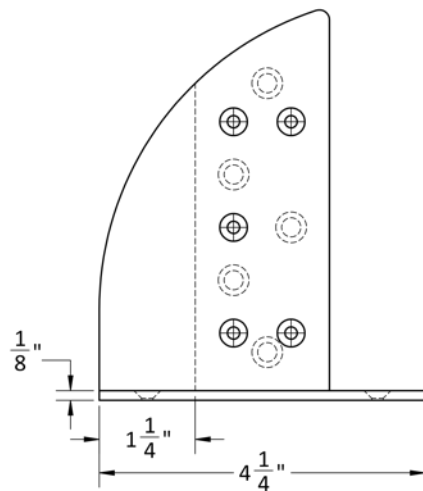


**LR-ADA-F
FLUSH THUMB TURN**
Special Order





LR-SDS: Shoe



Tapcon® Anchor screws included:
Each screw has a pullout strength of 1,090lbs and a shear strength of 860lbs.

How to Specify

SL-LR-SDS-0.FINISH.DOOR THICKNESS.DOOR TYPE.DOOR WIDTH.OPTIONS

FUNCTION

Self-Latching Passage
Function, Ligature
Resistant Sliding Door
Solution

FINISH

Standard
US26D/US32D. Call for
assistance with other
architectural finishes

DOOR THICKNESS

Standard 1³/₄" doors

DOOR TYPE

Wood or
Hollow Metal

DOOR WIDTH

Door must be minimum
10" wider than the
opening (see pgs. 6-7)

Specify:

- Smoke Seal
- LR-ADA-F Flush
Thumb Turn
- FF Fast Frame Kit
- Special Requests

EXAMPLES

Self-Latching Passage | Fast Frame Kit | Smoke Seal

E.g. SL-LR-SDS-0.US26D.134.WOOD.44.FF.SMOKESEAL

Self-Latching Passage with Smoke Seal | Flush Thumb Turn

E.g. SL-LR-SDS-0.US26D.134.METAL.44.LR-ADA-F.SMOKESEAL

**ACCURATE LOCK & HARDWARE
MANUFACTURERS OF LOCKS AND
CUSTOM ARCHITECTURAL HARDWARE**

1 Annie Place | Stamford, CT 06902

P: 203.348.8865

F: 203.348.5234

E: sales@accuratelockandhardware.com

www.accuratelockandhardware.com



**AMERICAN CRAFTED
— SINCE 1972 —**