



ACCURATE
LOCK & HARDWARE
AMERICAN CRAFTED SINCE 1972

1600 Series

NARROW BACKSET MORTISE DEADLOCKS

1600 SERIES NARROW BACKSET DEADLOCK

The 1600 Series ideal for narrow stile aluminum doors in storefront or retail applications. It is a direct retrofit for popular Adams Rite Series locks and is most commonly paired with ADA compliant rigid pulls.

The 1600 Series features a flip deadbolt for swinging doors and a flip hookbolt for sliding doors.



1600 SERIES

NARROW BACKSET DEADLOCK

SLEEK AESTHETICS

- Maintain sleek lines where narrow stile door are prominent, ideal for aluminum storefronts
- Standard Narrow Backsets: 1", 1¹/₈" (custom backsets available: 1¹/₄", 1¹/₂")

VERSATILITY

- Pair with rigid 7200P or custom architectural pulls in a variety of finishes or custom sizes.

FUNCTIONALITY

- Available in a variety of deadbolt functions
- Can be used with standard mortise cylinders or thumb turn cylinders (by others)
- Retrofit for popular Adams Rite Series locks



1600 SERIES DEADLOCK + 7200P PULL

1600 SERIES

FLIP DEADBOLT FOR SWINGING DOORS

DOOR UNLOCKED POSITION



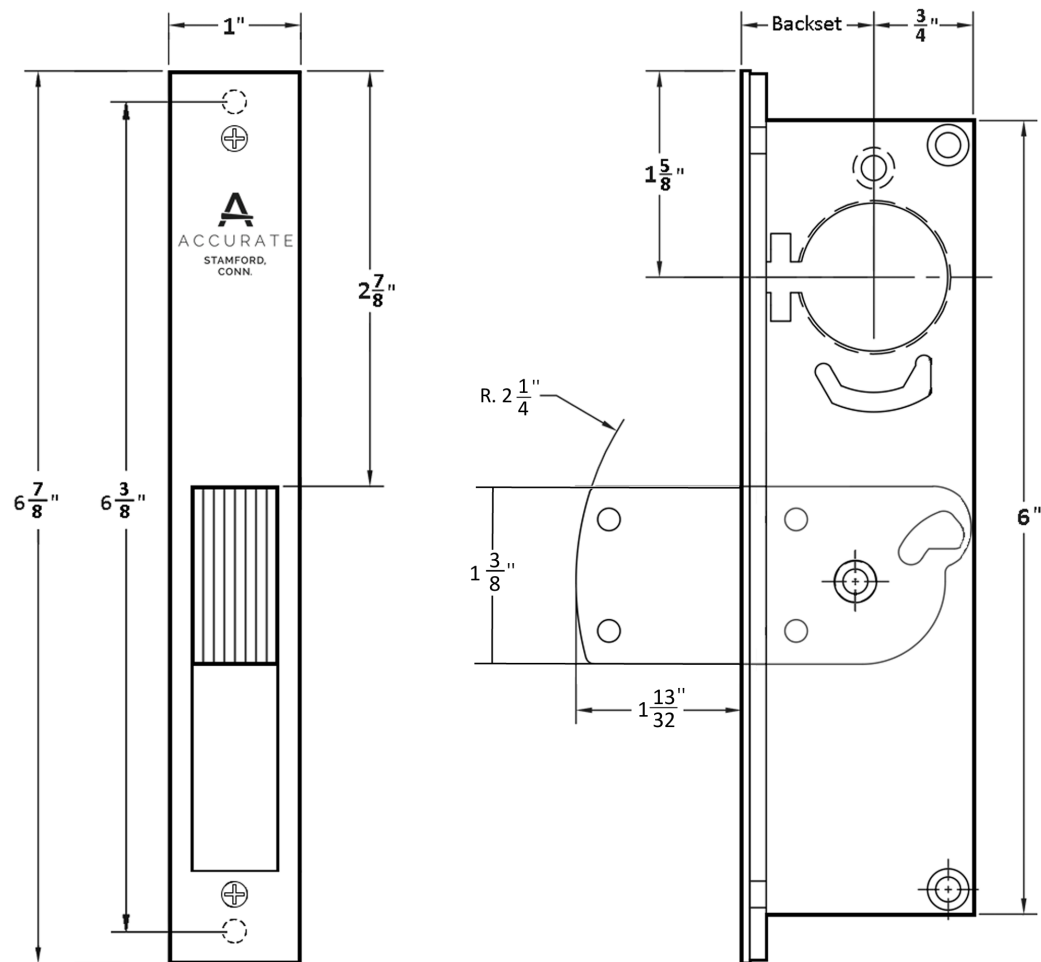
DEADBOLT FLIPS UP TO LOCK



DOOR LOCKED POSITION



1600 Technical Details



BACKSET: 1", 1 1/8", 1 1/4", 1 1/2"

CASE: Heavy gauge, stainless steel

ARMOR FRONT: Brass, bronze, aluminum or stainless steel, finished as required. Faceplate options: flat (default), radius or beveled (see How to Specify)

STRIKE: 4 7/8" x 1 1/4"

DEADBOLT: Laminated stainless steel with anti-lift feature, 1 1/2" throw

DUST BOX: Brass, stainless steel or oil rubbed bronze

1600SDL SERIES

HOOK DEADBOLT FOR SLIDING DOORS

DOOR UNLOCKED POSITION



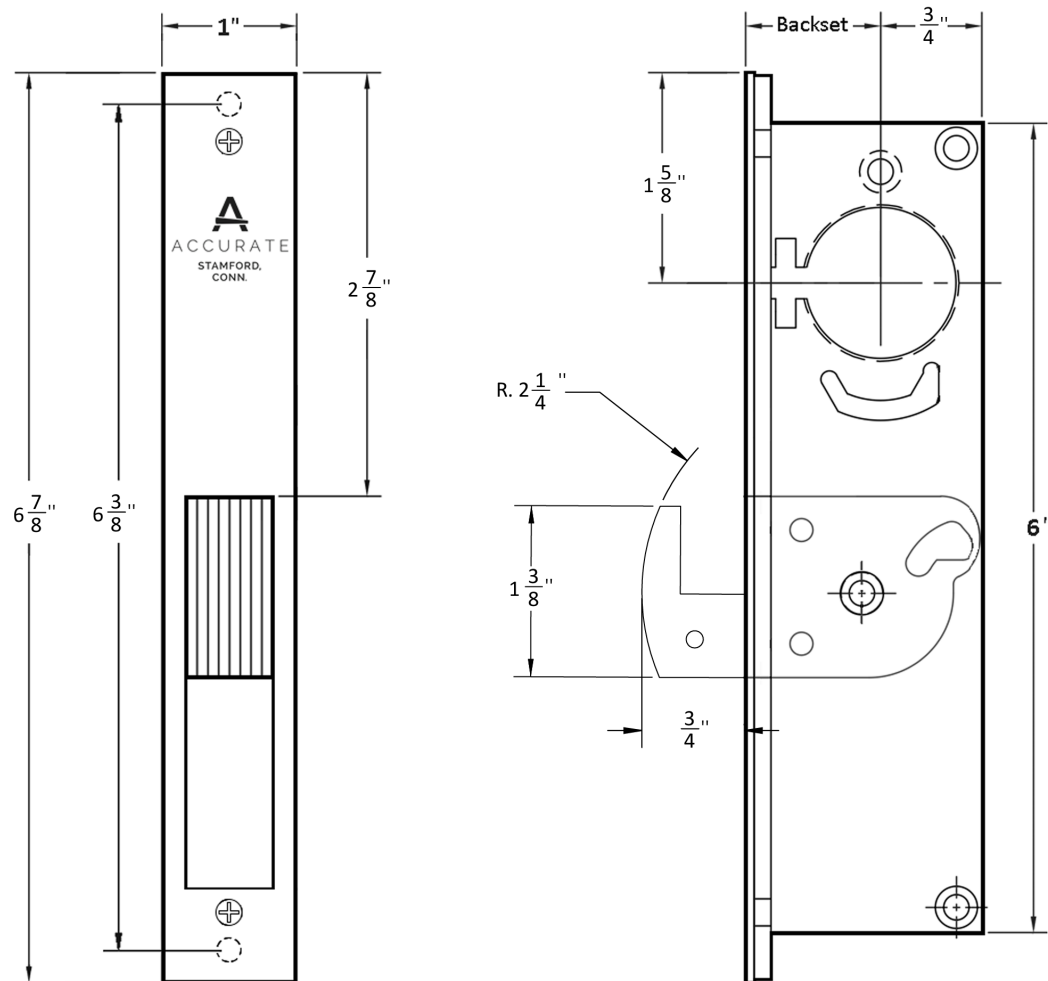
FLIP UP HOOK DEADBOLT TO LOCK



DOOR LOCKED POSITION



1600SDL Technical Details



BACKSET: 1", 1¹/₈", 1¹/₄", 1¹/₂"

CASE: Heavy gauge, stainless steel

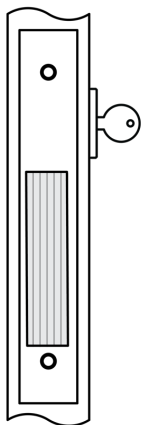
ARMOR FRONT: Brass, bronze, aluminum or stainless steel, finished as required. Faceplate options: flat (default), radius or beveled (see How to Specify)

STRIKE: 4⁷/₈" x 1¹/₄"

DEADBOLT: Laminated stainless steel with anti-lift feature, 1¹/₂" throw

DUST BOX: Brass, stainless steel or oil rubbed bronze

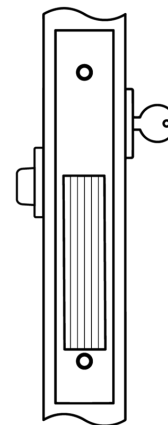
1600 Series Functions



1601 | 1601SDL DEADLOCK

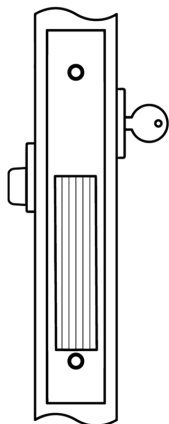
Deadbolt by key outside.

No inside operation.



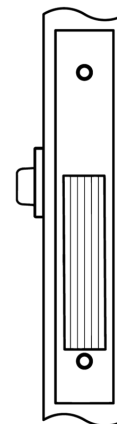
1602 | 1602SDL DEADLOCK

Deadbolt by key or thumb turn
cylinder either side.



1603 | 1603SDL DEADLOCK

Deadbolt by key outside and thumb turn inside.



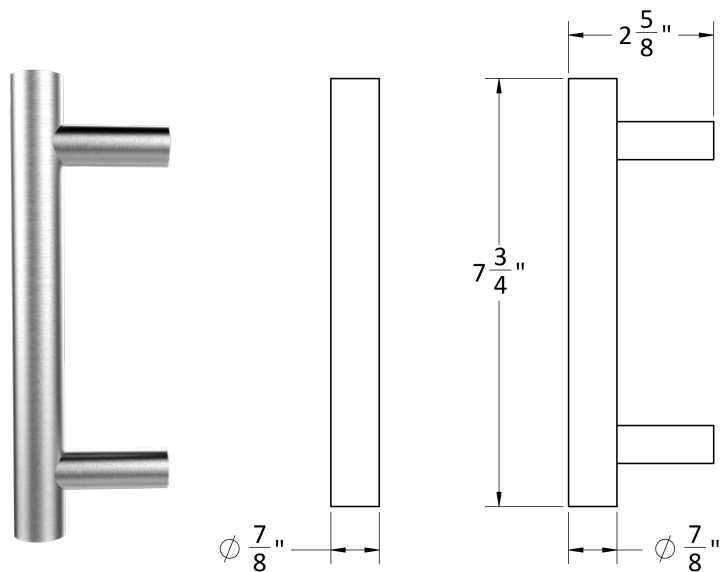
1604 | 1604SDL DEADLOCK

Deadbolt by thumb turn inside.

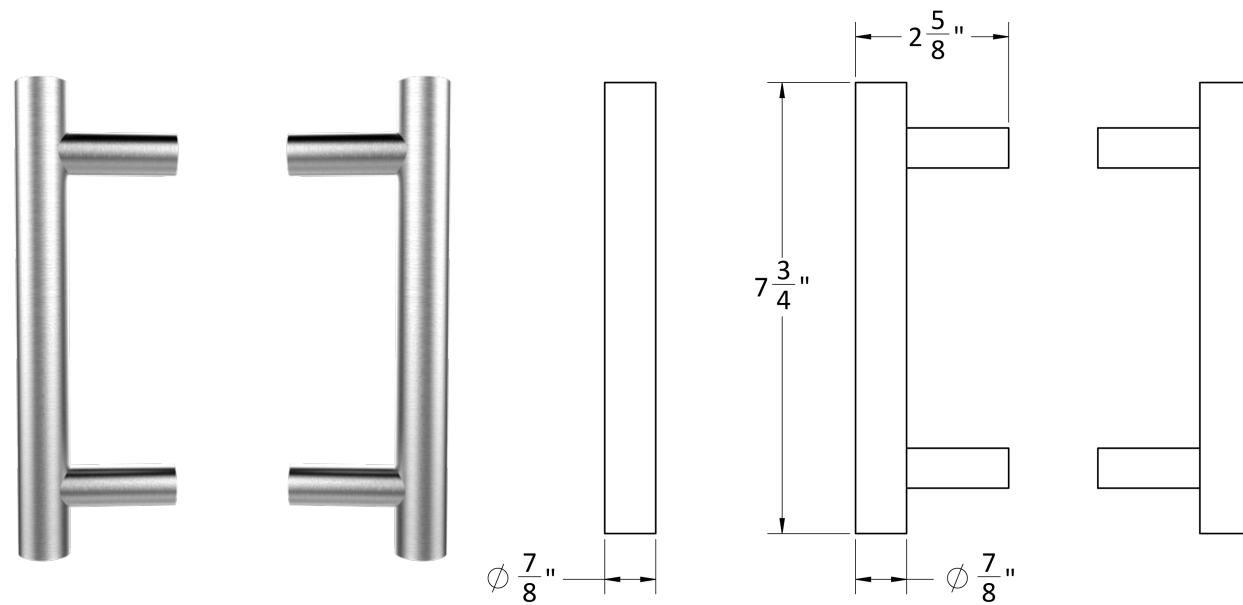
No outside operation.

Accurate Trim

7200P-S SINGLE RIGID PULL

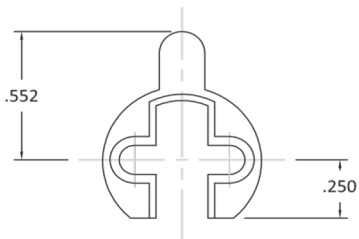


7200P DOUBLE SIDED PULL



HOW TO SPECIFY

CYLINDERS & KEYING



1600 Series locks accept any standard American mortise cylinder. For details on required cams and compatibility with other manufacturers' cylinders, please visit:

[Accurate Support.](#)

FINISHES

GROUP 1: US4, US4NL, US32D, US26D

GROUP 2: US3, US3NL, US26, US32, US9, US10, US10B, US14, US15, US19

GROUP 3: BN, BB, TN, TB, DURO, ESN, US15A, US5, US19LL

* Trim options (including Accurate Levers) may not be available in US32D, US32, US9, or US10 finish. Please call for assistance.

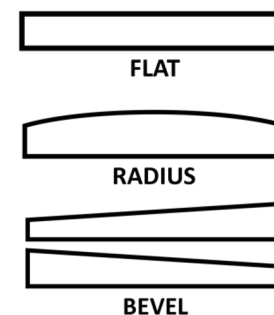
To view example of finishes visit: [Accurate Finishes.](#)

THUMB TURN CYLINDERS

1600 Series thumb turn operation can be achieved by using thumb turn cylinders (by others). Accurate offers ILCO Mortise thumb turn cylinders in limited lengths and finishes. Please click [here](#) for details

FACEPLATE

FACEPLATE EDGE



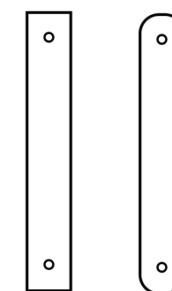
FLAT

RADIUS

BEVEL

Flat Faceplate Edge furnished unless otherwise specified. Bevel Faceplate determined by handing.

FACEPLATE CORNERS

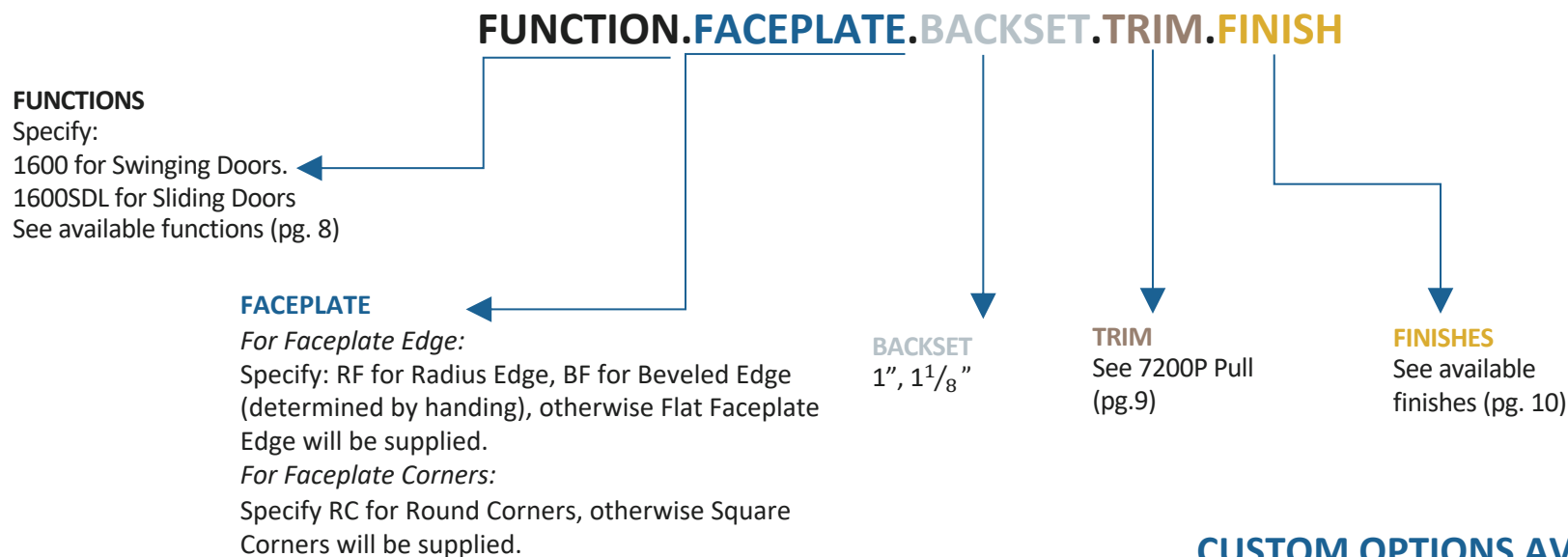


SQUARE

ROUNDED

Square Faceplate Corners furnished unless otherwise specified.

HOW TO SPECIFY



EXAMPLES

Single Cylinder Deadlock | Swinging Door | Radius Faceplate Round Corners

E.g.: 1601.**RFRC.118.7200P.US32D**

Entry Function | Swinging Door | Flat Faceplate Square Corners

E.g.: 1603.**1.7200P.US10B**

Single Cylinder Deadlock | Sliding Door | Beveled Faceplate Square Corners

E.g.: 1602SDL.**BF.118.7200P.US4**

CUSTOM OPTIONS AVAILABLE

- Set up for inactive trim by other manufacturers.
- Glass Patch Narrow Backset Locks (G16).

Please contact us for assistance.

**Cylinders and cylinder thumb turns are not included.
Please specify separately.**

*Note: For compatibility with other manufacturers' trim please call for assistance.

**ACCURATE LOCK & HARDWARE
MANUFACTURERS OF LOCKS AND
CUSTOM ARCHITECTURAL HARDWARE**

1 Annie Place | Stamford, CT 06902

P: 203.348.8865

F: 203.348.5234

E: sales@accuratelockandhardware.com

www.accuratelockandhardware.com



AMERICAN CRAFTERS
— SINCE 1972 —