



ACCURATE  
LOCK & HARDWARE  
AMERICAN CRAFTED SINCE 1972

---

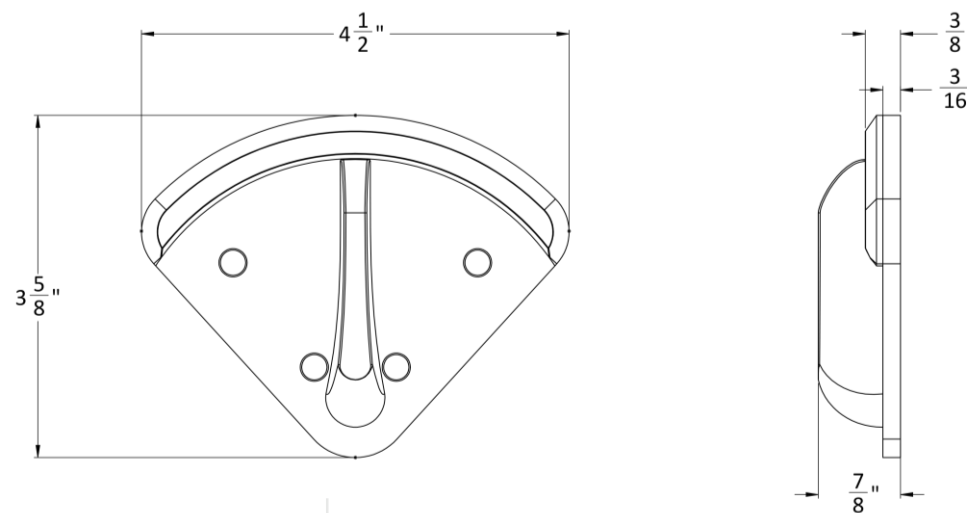
ALT-ADA THUMB TURN

The Ultimate Solution for Anti-Ligature and ADA Compliance

# ALT-ADA-D THUMB TURN

## Form Meets Function

- Lightweight, solid brass construction designed with institutional strength and durability
- 626/630, anti-microbial finish available
- Furnished with Torx® Security Screws
- For use with Accurate locks with a deadbolt.  
Thumb turn has a wider rotation. Customizable for other manufacturers' locks.



**Customization available. Call for assistance.**

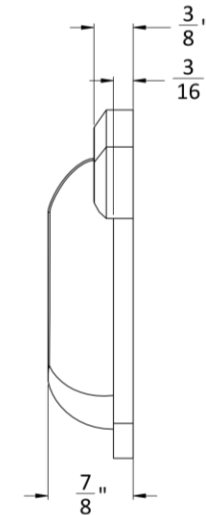
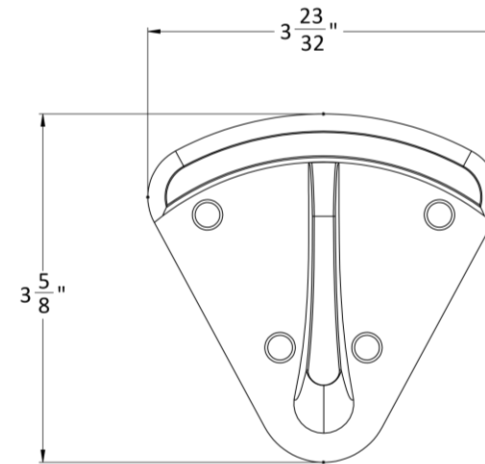
ALT-ADA-D

# ALT-ADA-P THUMB TURN



## Form Meets Function

- Lightweight, solid brass construction designed with institutional strength and durability
- 626/630, anti-microbial finish available
- Furnished with Torx® Security Screws
- For use with Accurate locks without a deadbolt. Thumb turn has smaller rotation. Customizable for other manufacturers' locks.



**Customization available. Call for assistance.**

**ALT-ADA-P**

# CUSTOM ALT-ADA THUMB TURNS

## Form Meets Function

- Lightweight, solid brass construction designed with institutional strength and durability
- 626/630, anti-microbial finish available
- Furnished with Torx® Security Screws
- Customizable based on application: tubular deadbolts, custom applications



CUSTOM ALT-ADA FOR SCHLAGE TUBULAR DEADBOLT

**ACCURATE LOCK & HARDWARE  
MANUFACTURERS OF CUSTOM LOCKS  
AND ARCHITECTURAL HARDWARE**

1 Annie Place | Stamford, CT 06902

**P:** 203.348.8865

**F:** 203.348.5234

**E:** sales@accuratelockandhardware.com

**www.accuratelockandhardware.com**



**AMERICAN CRAFTED**  
**— SINCE 1972 —**