



ACCURATE

LOCK & HARDWARE

AMERICAN CRAFTED SINCE 1972

LIGATURE RESISTANT FLUSH PULL

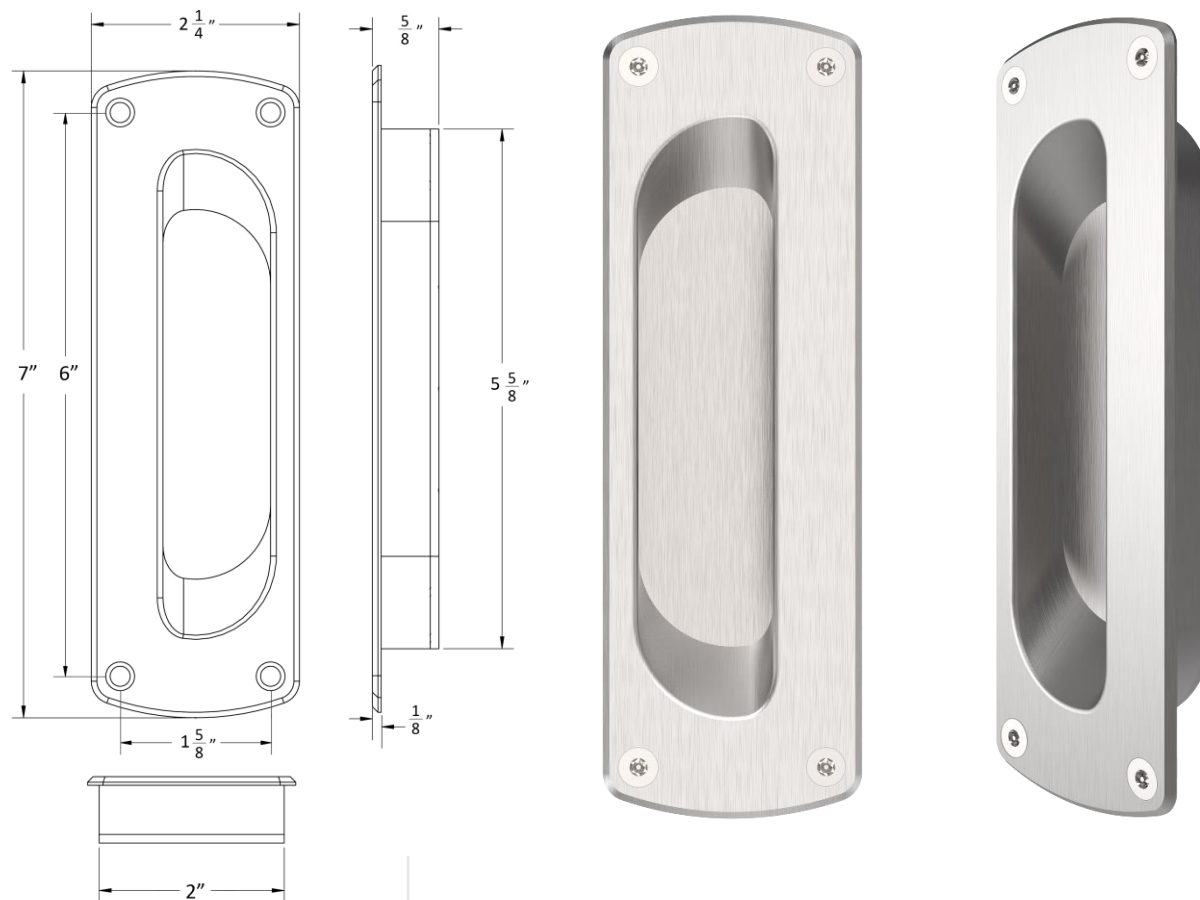
U7001AL

LIGATURE RESISTANT FLUSH PULL

U7001AL

Form Meets Function

- Ergonomic flange for easy grip
- Premium flush pull with beveled cup to prevent ligature points
- Ideal for use in patient restrooms or closets
- Lightweight, solid brass construction designed with institutional strength and durability
- Non-handed
- Easy installation
- Furnished with Torx® Security Screws
- 626/630 finish standard, other architectural finishes available upon request



U7001AL

**ACCURATE LOCK & HARDWARE
MANUFACTURERS OF CUSTOM LOCKS
AND ARCHITECTURAL HARDWARE**

1 Annie Place | Stamford, CT 06902

P: 203.348.8865

F: 203.348.5234

E: sales@accuratelockandhardware.com

www.accuratelockandhardware.com



AMERICAN CRAFTED
— SINCE 1972 —