



ACCURATE

LOCK & HARDWARE

AMERICAN CRAFTED SINCE 1972

---

LIGATURE RESISTANT CABINET PULL

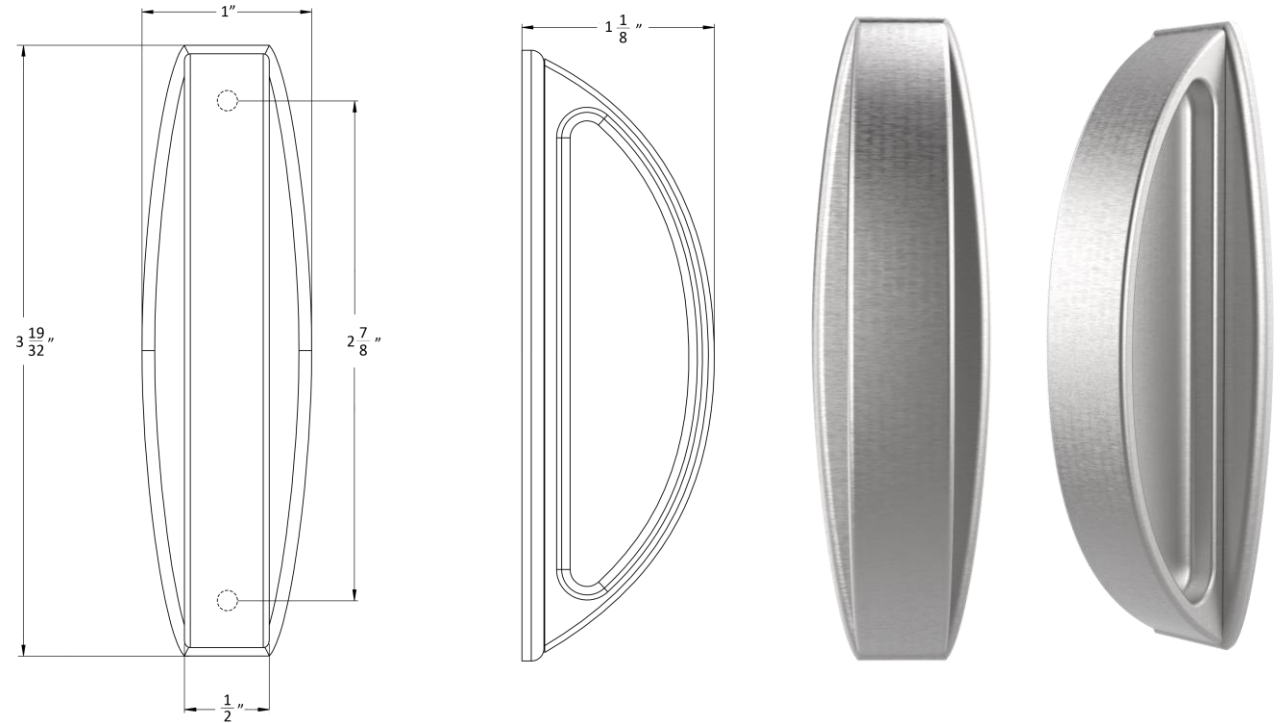
CP-CAB

# LIGATURE RESISTANT CABINET PULL

## CP-CAB

### Form Meets Function

- Miniature crescent shaped pull for cabinet doors or drawers. When installed vertically, the pull is non-loopable and features tamper-resistant security grade fastening hardware
- Lightweight, solid brass construction designed with institutional strength and durability
- Furnished with Torx® Security Screws
- Non-handed
- Easy installation
- 626/630 finish standard. Available in most architectural finishes
- Optional anti-microbial coating (specify AM)
- Specify CP-CAB-H for pull to be installed horizontally mounted. Top of the pull will not present any cavities that can be used as an anchor point or reservoir for fluids



CP-CAB

**ACCURATE LOCK & HARDWARE  
MANUFACTURERS OF CUSTOM LOCKS  
AND ARCHITECTURAL HARDWARE**

1 Annie Place | Stamford, CT 06902

**P:** 203.348.8865

**F:** 203.348.5234

**E:** sales@accuratelockandhardware.com

**www.accuratelockandhardware.com**



**AMERICAN CRAFTED**  
**— SINCE 1972 —**