



# ACCURATE LOCK & HARDWARE

AMERICAN CRAFTED SINCE 1972

---

## 9000/9100 Communicating Locks

# 9000/9100 Communicating Locks

## DETAILS + OPTIONS

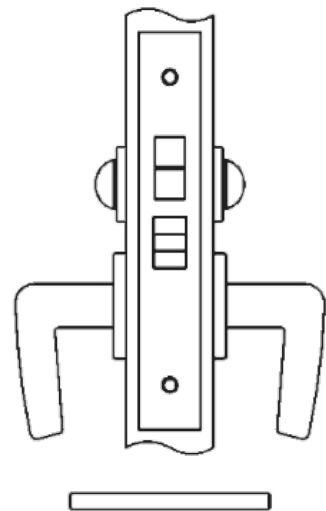
Lock features a split deadbolt with one bolt able to be operated by thumb turn on one side of the door and the other bolt able to be operated by thumb turn on other side of the door. This allows each side of a “shared” door to lock independently and at the discretion of the respective user, thus eliminating the need for two separate doors in between adjacent rooms. The door is only unlocked if both side want it to be unlocked.

2 ½” or 2 ¾” backset.



9000/9100 COMMUNICATING LOCK

# 9000/9100 Communicating Lock Functions



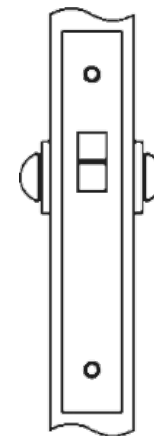
## 9040CC/9140CC COMMUNICATING PRIVACY LOCK

Split deadbolt allows for independent operation of deadbolt by each side of door:

Thumb turn on one side operates one deadbolt.

Thumb turn on other side operates other deadbolt.

Latch bolt by lever either side when deadbolt not thrown.



## 9040DCC/9140DCC COMMUNICATING PRIVACY DEADLOCK

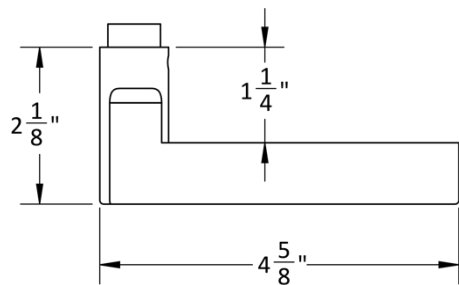
Split deadbolt allows for independent operation of deadbolt by each side of door:

Thumb turn on one side operates one deadbolt.

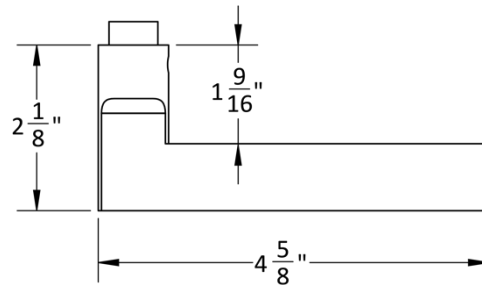
Thumb turn on other side operates other deadbolt.

# Accurate Lever Trim

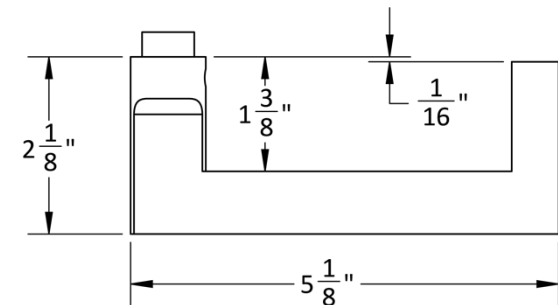
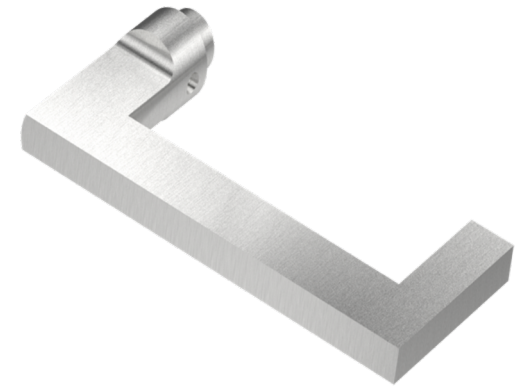
### 18L LEVER



### 19L LEVER

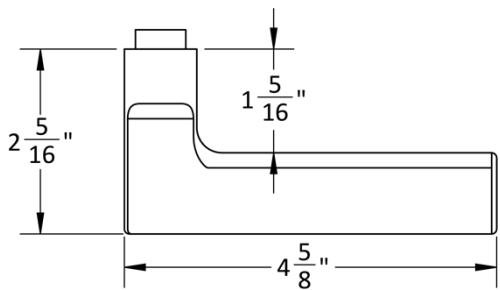


### 20L LEVER

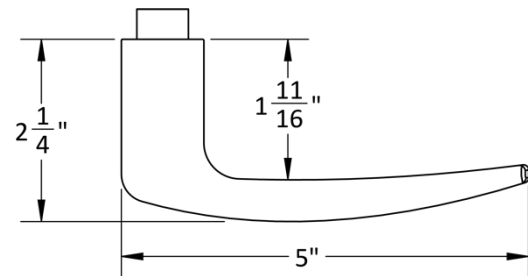


# Accurate Lever Trim

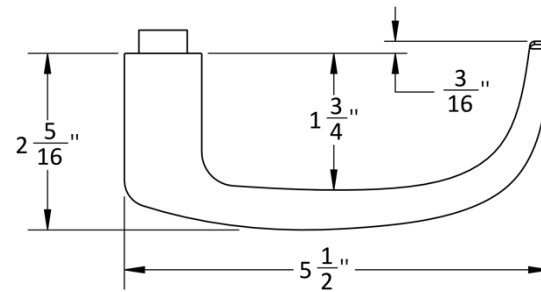
**21L LEVER**



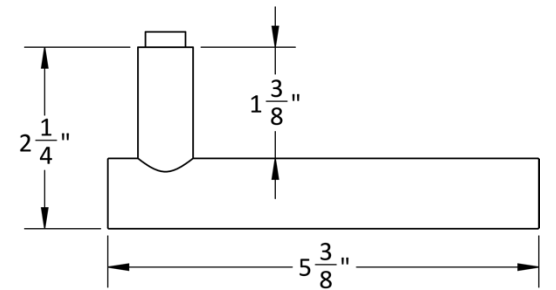
**29L LEVER**



**39L LEVER**



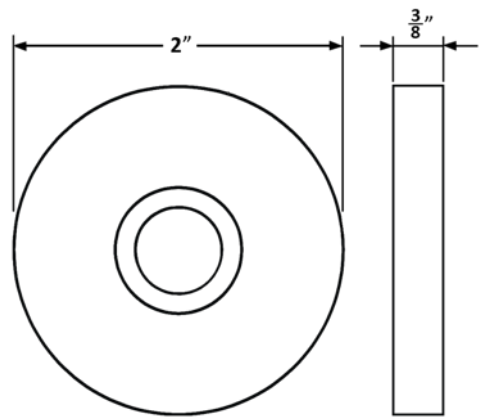
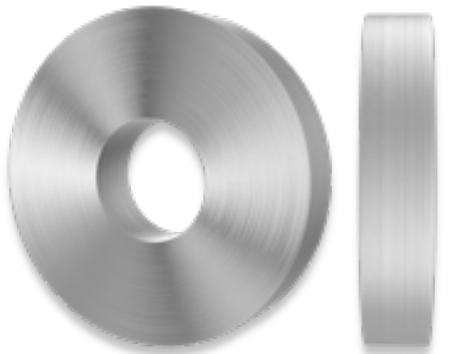
**72L LEVER**



# Accurate Rose Options

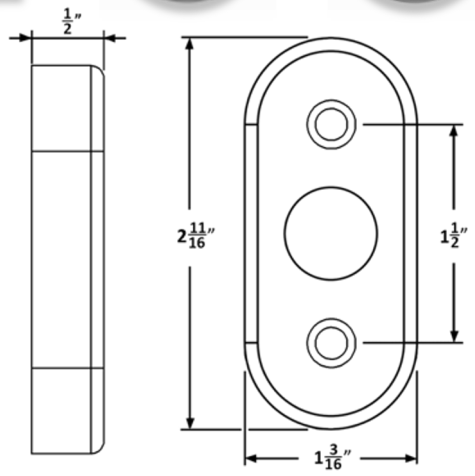
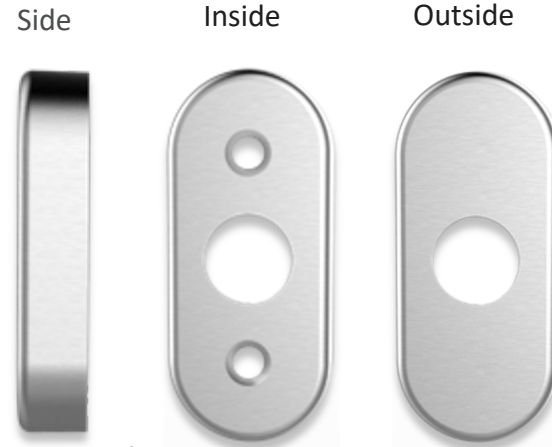
COMPATIBLE WITH ALL ACCURATE LEVERS

1R ROSE

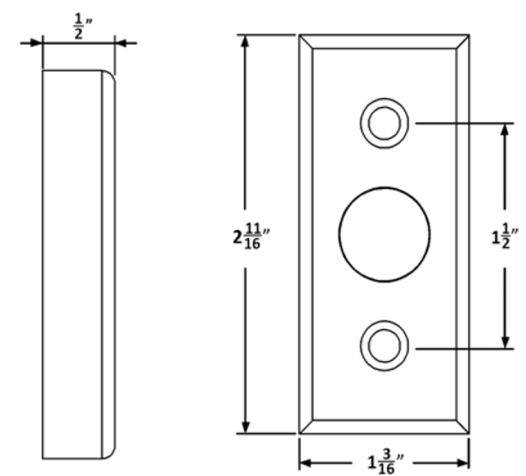
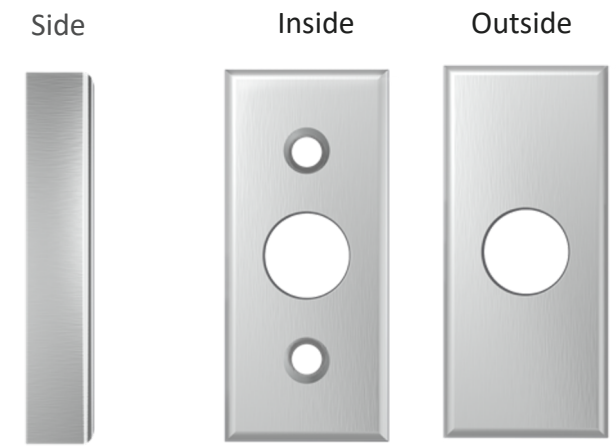


SILENTPAC™ LEVER DAMPENING DISC CAN BE SPECIFIED WITH THE 1R ROSE VISIT [SILENTPACSOLUTIONS.COM](http://SILENTPACSOLUTIONS.COM)

2R ROSE



4R ROSE



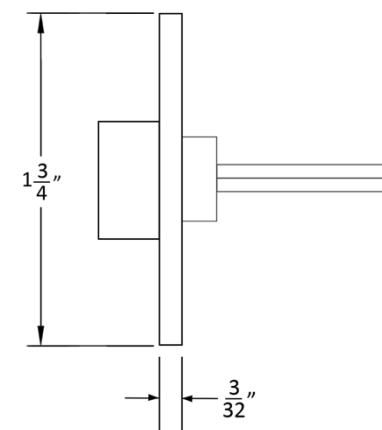
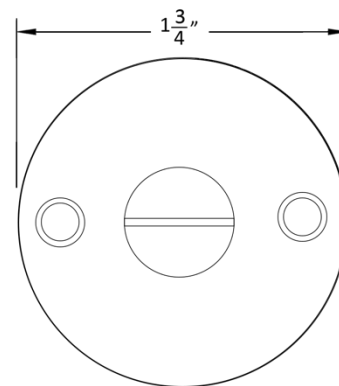
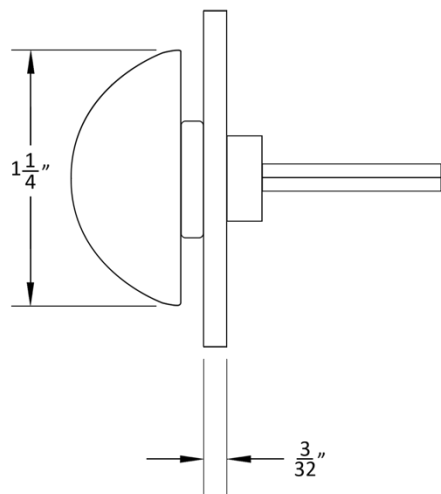
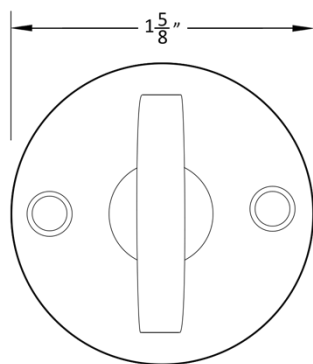
2R AND 4R ROSES TO BE SURFACE MOUNTED ONLY (due to thru bolting hole locations on the lock body)

# Accessories

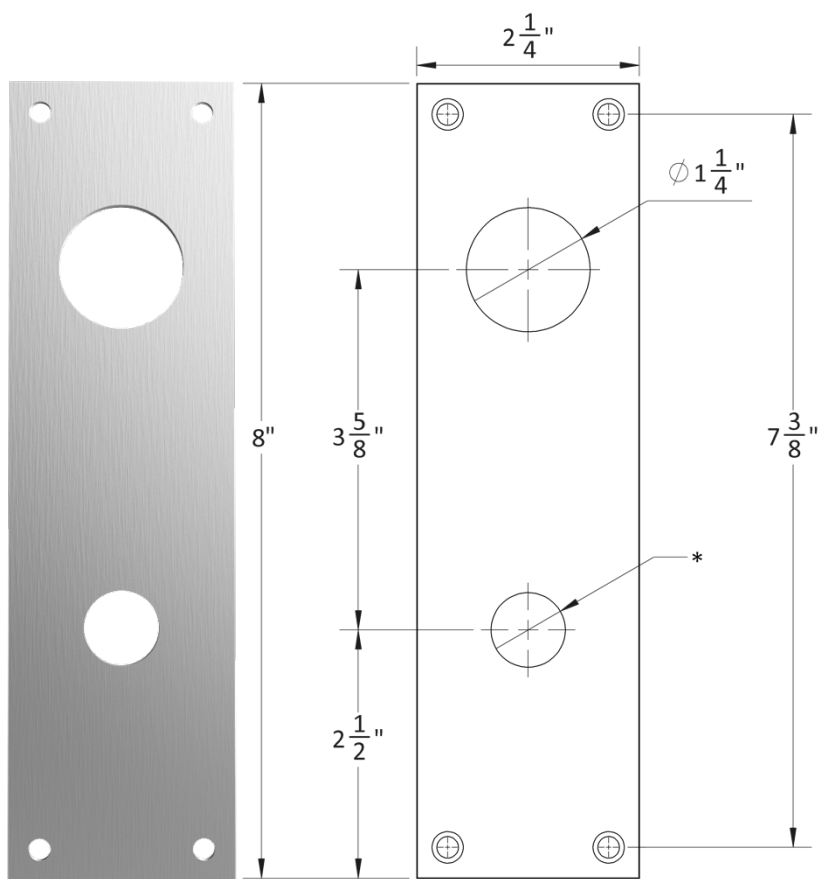
**GF1106**



**7200ER**

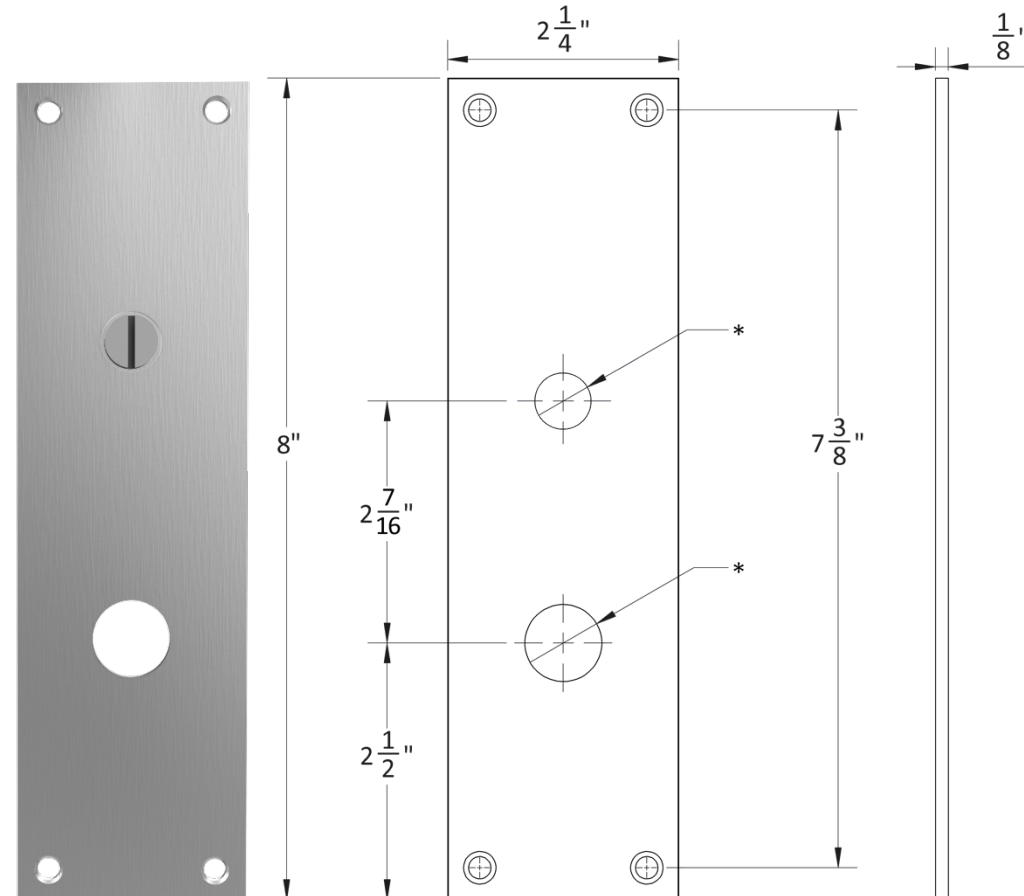


# Accurate Escutcheons: 1E



**1E-C**  
Cylinder  
Cutout

\* Dimensions may vary depending on trim

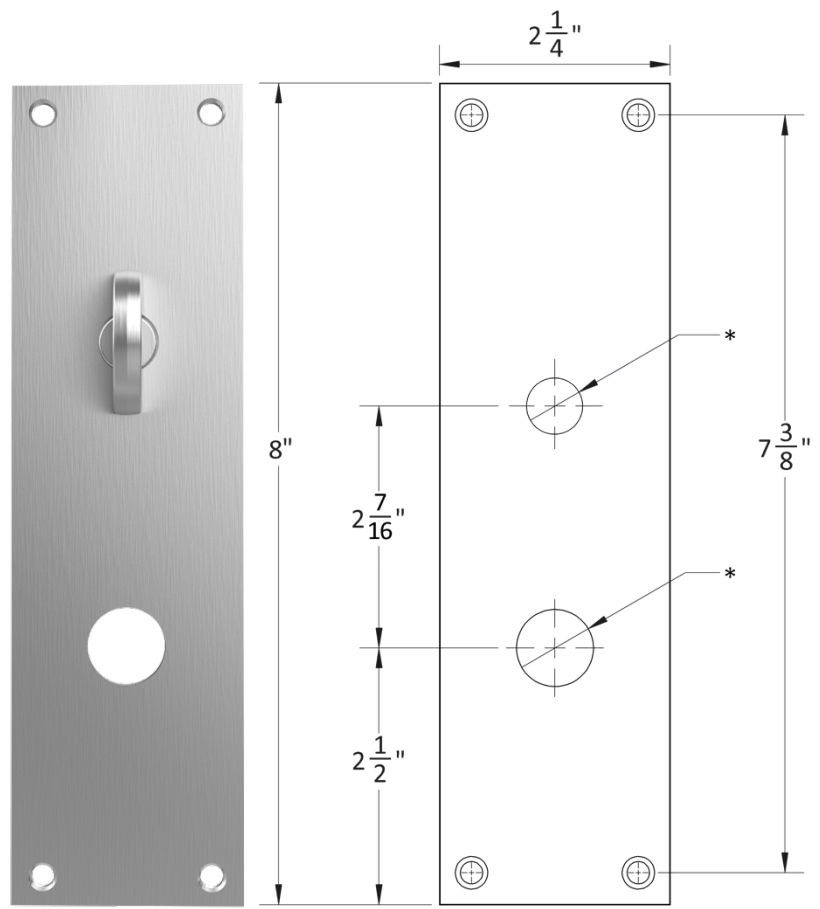


**1E-E**  
Coin emergency  
release

\* Dimensions may vary depending on trim

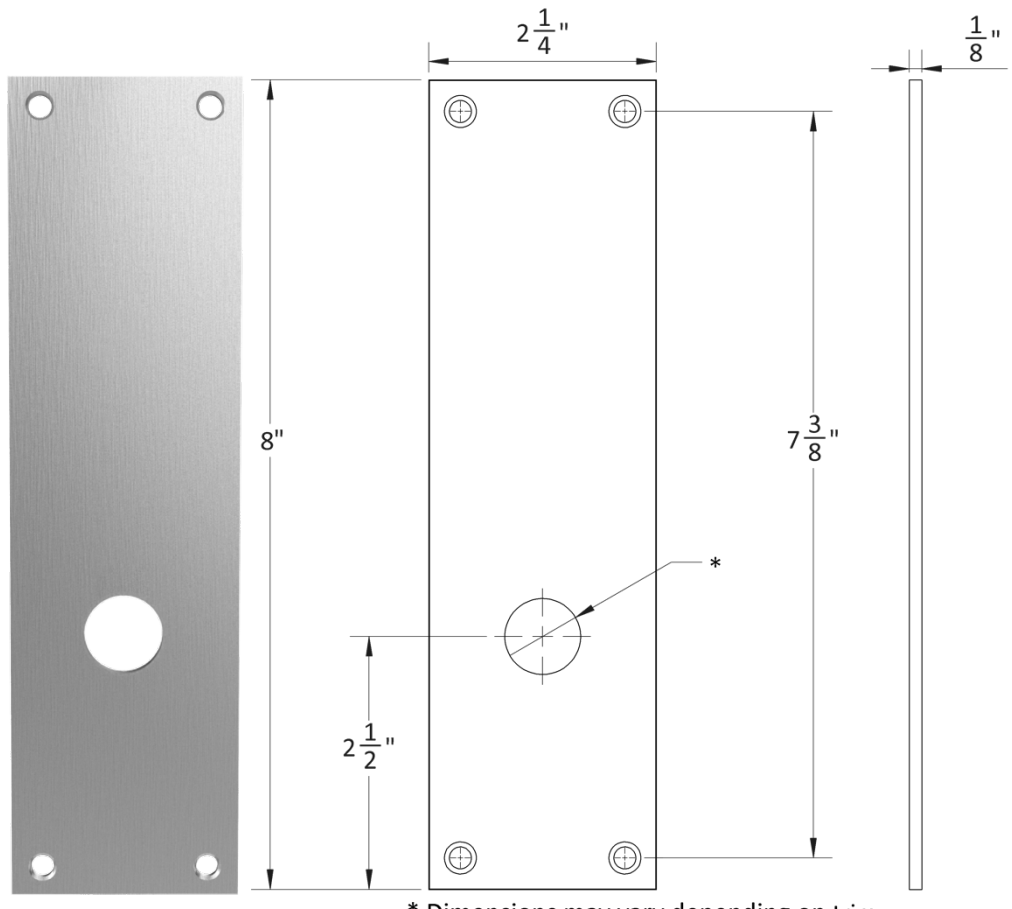


# Accurate Escutcheons: 1E



**1E-T**  
Thumb Turn

\* Dimensions may vary depending on trim

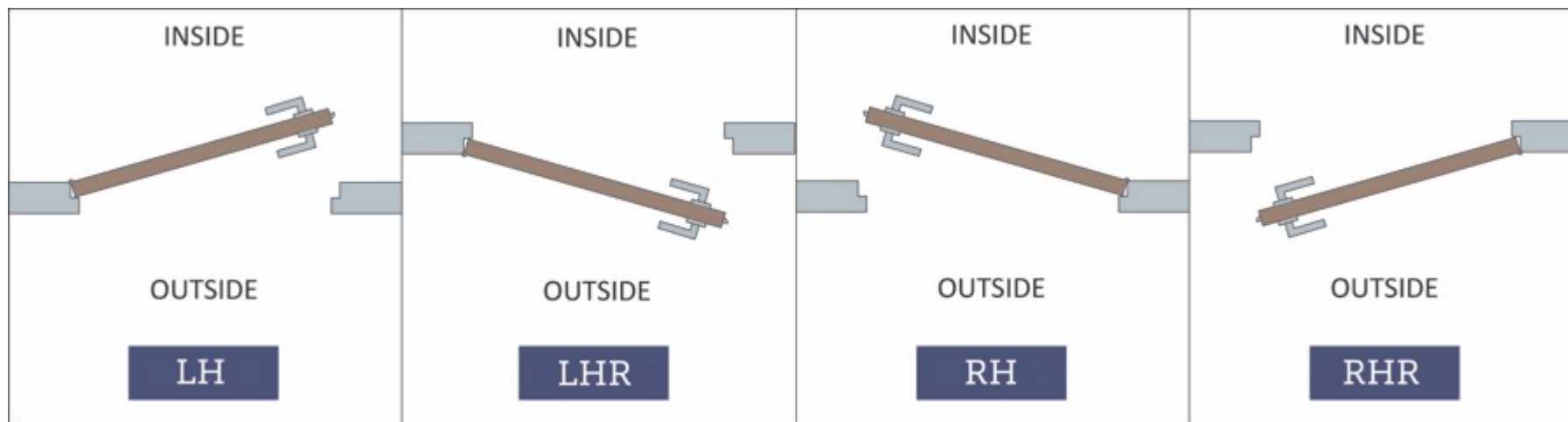


**1E-B**  
Blank

\* Dimensions may vary depending on trim

# HOW TO SPECIFY

## HANDING



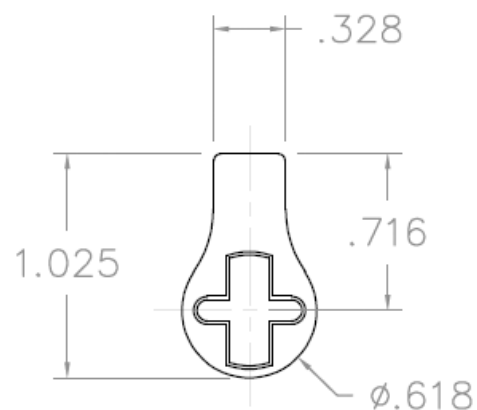
## FINISHES

**GROUP 1:** US4, US4NL, US32D, US26D

**GROUP 2:** US3, US3NL, US26, US32, US9, US10, US10B, US14, US15, US19

**GROUP 3:** BN, BB, TN, TB, DURO, ESN, US15A, US5

To view example of finishes visit: [Accurate Finishes](#)



## CYLINDERS & KEYING

8500/8600 series locks accept any standard American mortise cylinder. For details on required cams and compatibility with other manufacturers' cylinders, please visit:

[Accurate Support](#)

# HOW TO SPECIFY

FUNCTION.BACKSET.TRIM.FINISH.HAND.DOORTHICKNESS

## Functions

See available functions (pg. 3)

## Backset

2<sup>1</sup>/<sub>2</sub>" , 2<sup>3</sup>/<sub>4</sub>"

## Trim

Accurate Trim (pg. 4-9)

Other Manufacturers' Sectional (rose) Trim (specify hub size or brand)\*

Configurations:

- LxL, KxK

## Finishes

See available finishes (pg.10)

## EXAMPLES

Communicating Privacy Lock | Other Manufacturers' Trim

E.g.: 9140CC.212.LxL.8mm.US26D.RH.134

*\*Note: For compatibility please verify vertical spacing as well as through-bolting locations or call for assistance.*

**ACCURATE LOCK & HARDWARE  
MANUFACTURERS OF LOCKS AND  
CUSTOM ARCHITECTURAL HARDWARE**

1 Annie Place | Stamford, CT 06902

**P:** 203.348.8865

**F:** 203.348.5234

**E:** sales@accuratelockandhardware.com

**www.accuratelockandhardware.com**



**AMERICAN CRAFTED**  
**— SINCE 1972 —**