



ACCURATE

LOCK & HARDWARE

AMERICAN CRAFTED SINCE 1972

---

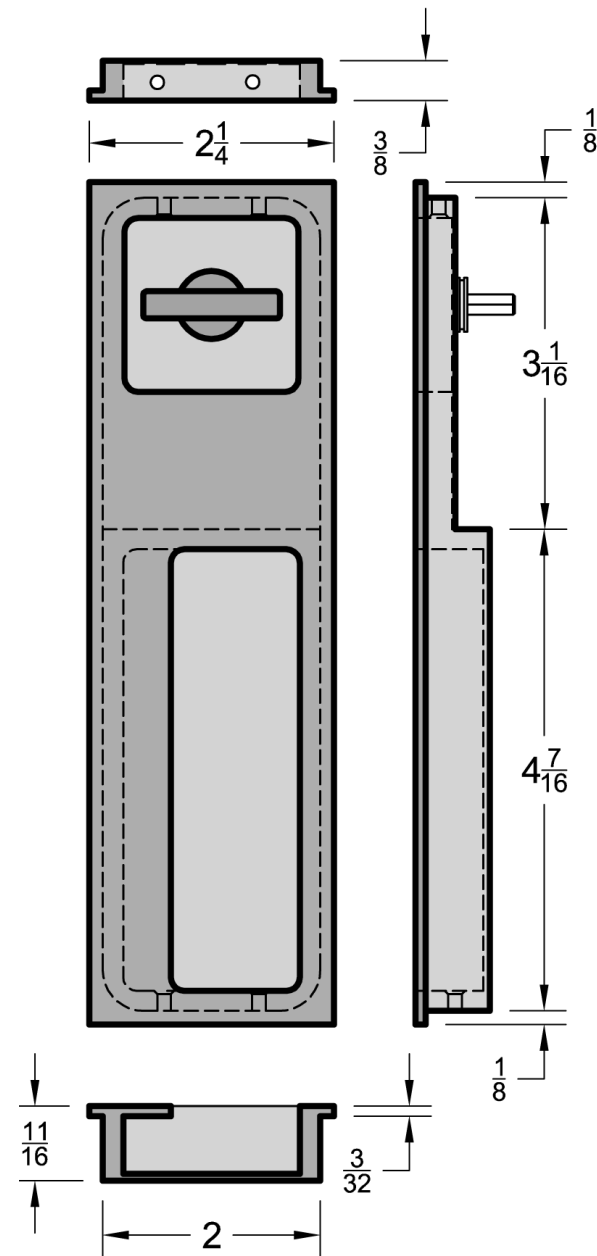
PRIVACY FLUSH PULLS

CONCEALED FASTENERS

# FC7346T

## 7 3/4" RECTANGULAR FLUSH PULL WITH T-TURN

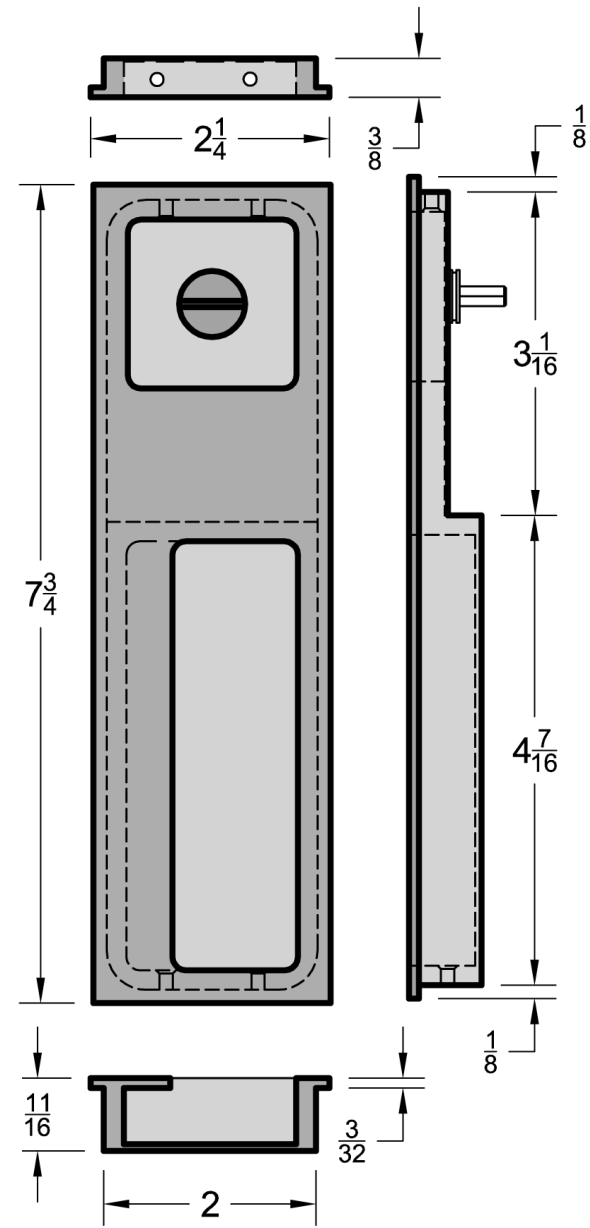
- For use with Accurate's premium pocket/sliding door locks: 2001SDL or 2002CPDL (upside down installation required)
- Can also be used on swinging doors with Accurate deadlocks – contact one of Accurate's Sales Engineers for assistance



# FC7346E

## 7 3/4" RECTANGULAR FLUSH PULL WITH ER

- For use with Accurate's premium pocket/sliding door locks: 2001SDL or 2002CPDL (upside down installation required)
- Can also be used on swinging doors with Accurate deadlocks – contact one of Accurate's Sales Engineers for assistance



**ACCURATE LOCK & HARDWARE  
MANUFACTURERS OF CUSTOM LOCKS  
AND ARCHITECTURAL HARDWARE**



1 Annie Place | Stamford, CT 06902

**P:** 203.348.8865

**F:** 203.348.5234

**E:** sales@accuratelockandhardware.com

**www.accuratelockandhardware.com**



**AMERICAN CRAFTED  
— SINCE 1972 —**