



# ACCURATE LOCK & HARDWARE

AMERICAN CRAFTED SINCE 1972

---

## 9000ARL | 9100ARL

ADJUSTABLE ROLLER LATCH MORTISE LOCK

BRASS	US15	22pcs
FC3004		



## 9100ARL ADJUSTABLE ROLLER LATCH MORTISE LOCK

Roller latch locks are now available with an adjustment to address both tension and latch projection. Designed for doors that do not have any active levers, knobs or thumb latches, the Adjustable Roller Latch can be adjusted in the door for wind, weather and climate changes while maintaining security.

# 9000ARL | 9100ARL

## FIELD ADJUSTABILITY

- Adjust latch projection and spring tension onsite to provide greater holding capacity and security

## CLIMATE PROTECTION

- Adapt to different weather conditions that can cause pressure on the opening including wind, change in temperatures, etc. by adjusting latch accordingly

## TRIM OPTIONS

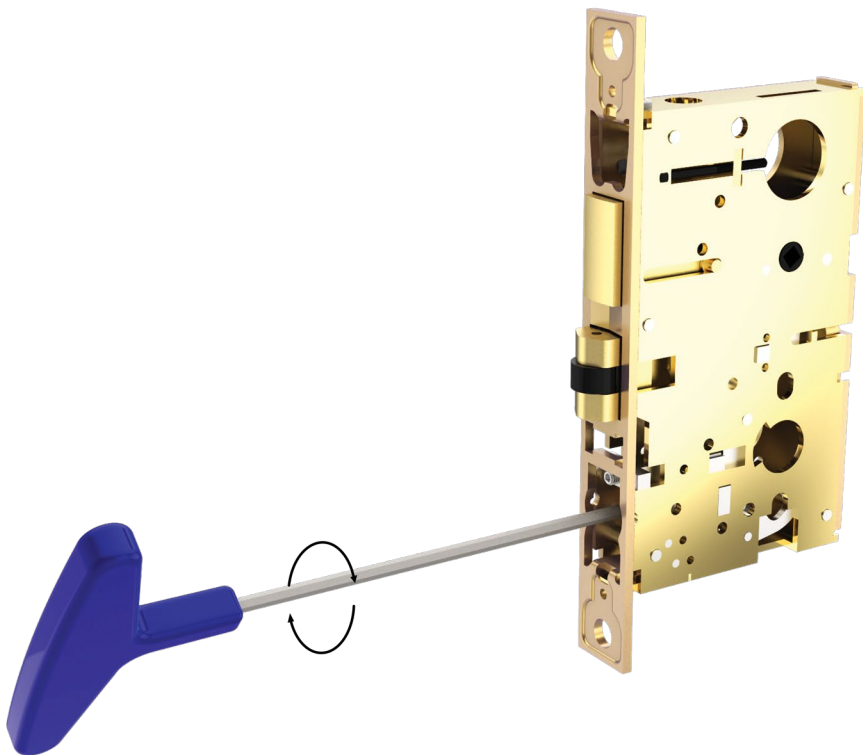
- Pair with flush pulls, rigid 7200P back-to-back pulls, or custom architectural pulls in a variety of finishes or custom sizes.



**NEW**  
**ADJUSTABLE ROLLER LATCH**

# Adjustable Latch Projection + Tension

## LATCH PROJECTION

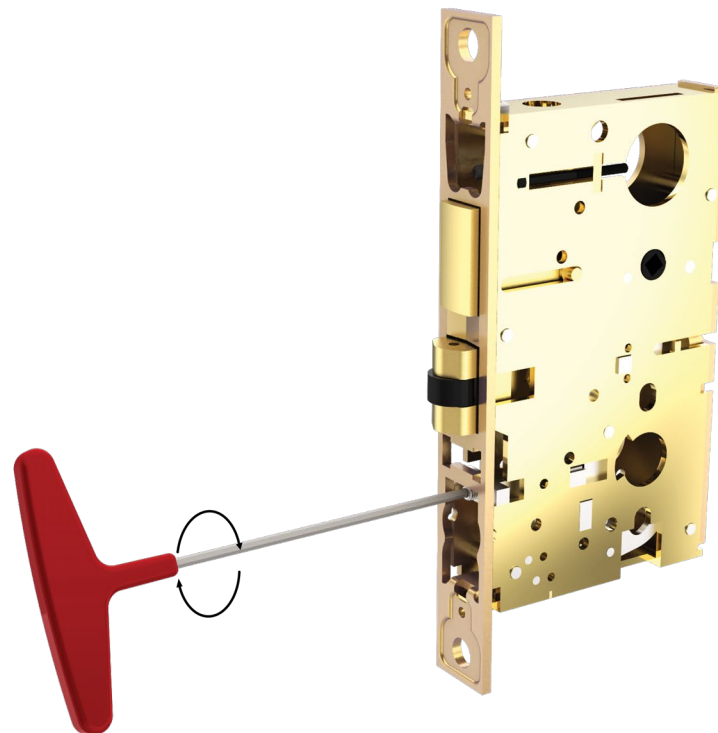


### To Adjust:

Use a 5/32" Allen Wrench and turn clockwise to retract the latch bolt (adjustment is from approximately 1/2" to 3/8" projection).

To reverse, turn counterclockwise.

## SPRING TENSION

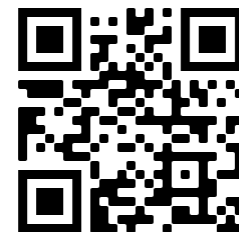


### To Adjust:

Use a 3/32" Allen Wrench and turn clockwise to adjust the spring tension of the lock (adjustment is from 12 to 45 pounds).

To reverse, turn counterclockwise.

WATCH THE VIDEO



# Roller Latch Strike

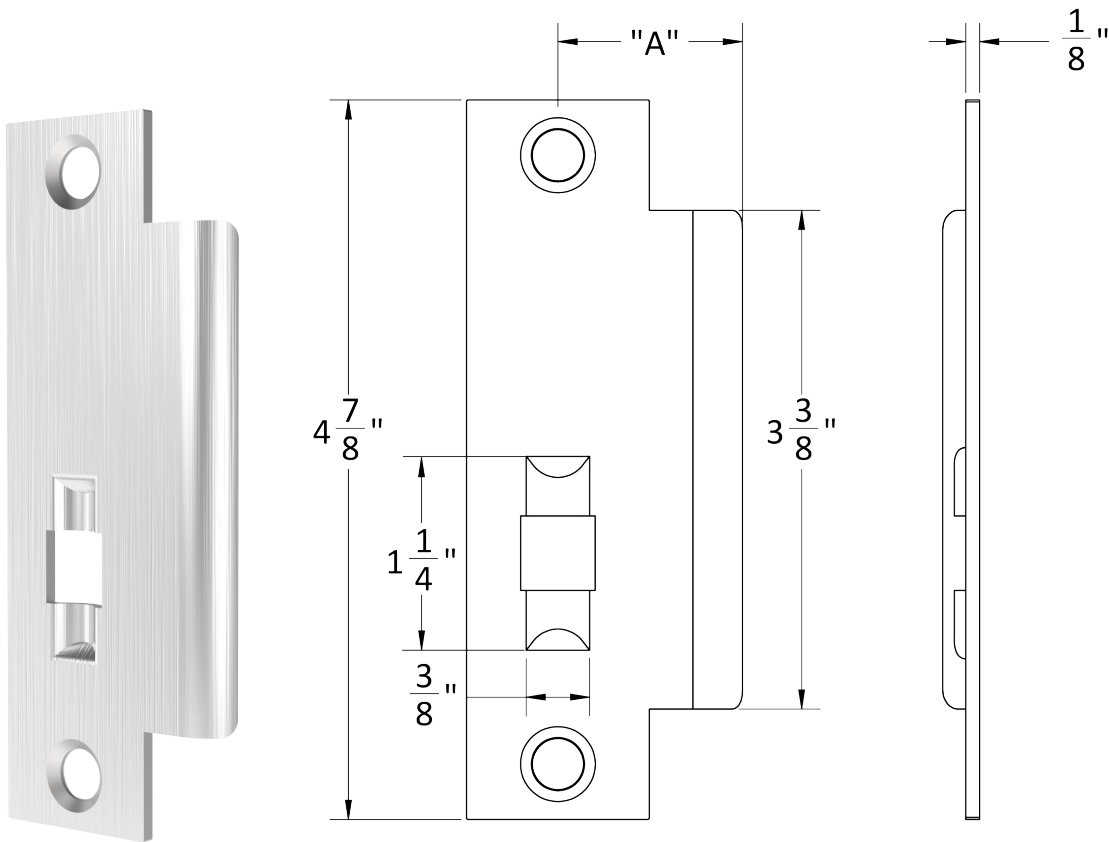
Designed with strike detent to accommodate roller latch.

## PASSAGE ROLLER LATCH STRIKE

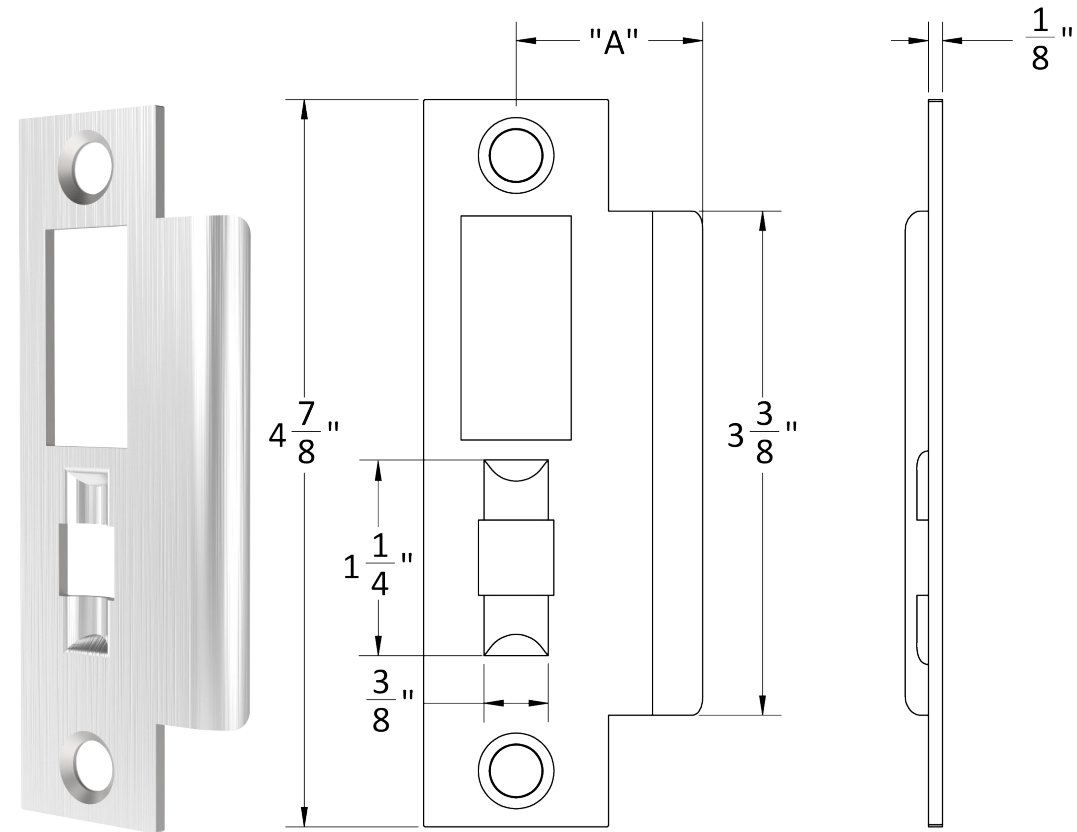
For 9125ARL Functions

## DEADBOLT ROLLER LATCH STRIKE

For 9122ARL, 9124ARL, 9139ARL Functions



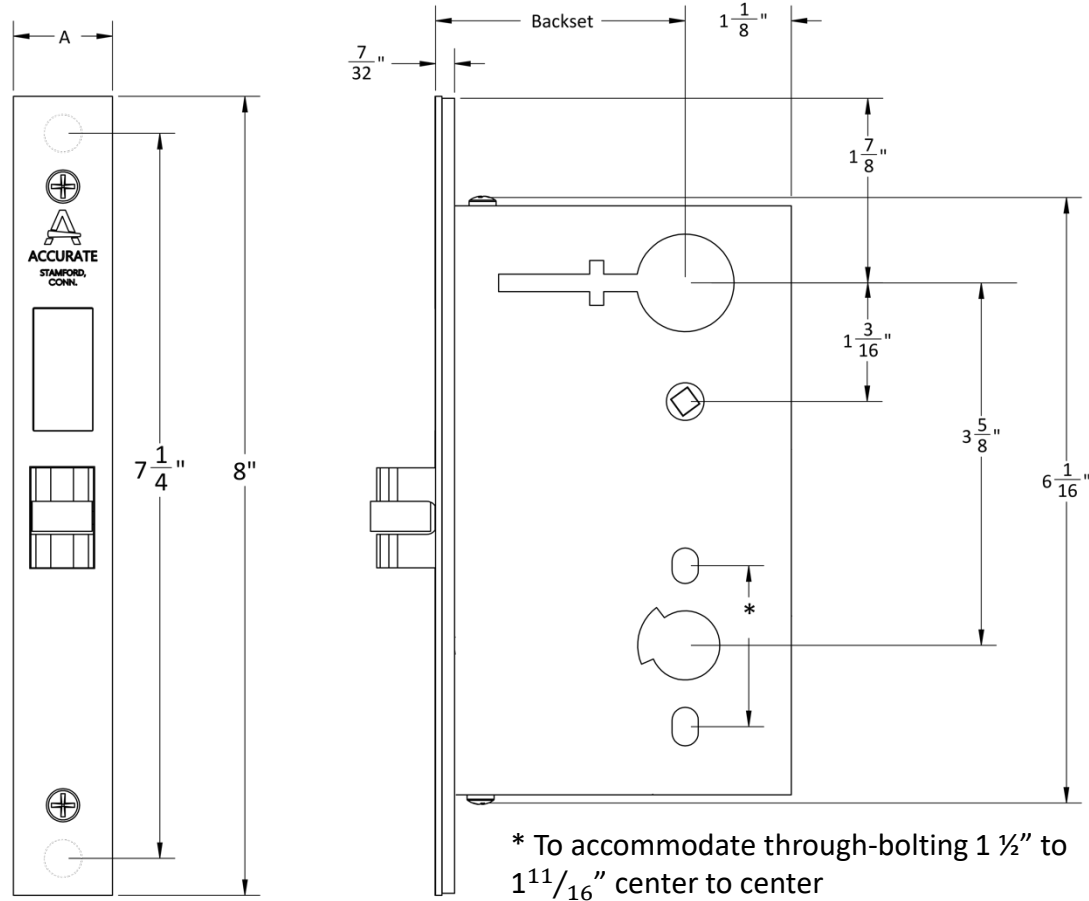
"A" 1 1/4" for 1 3/4" thick doors  
 1 1/2" for 2 1/4" thick doors



"A" 1 1/4" for 1 3/4" thick doors  
 1 1/2" for 2 1/4" thick doors



# 9000ARL | 9100ARL: Technical Details



\* To accommodate through-bolting 1 1/2" to 1 11/16" center to center

**A:**  
 1 1/4" (9100ARL locks, for 1 3/4" thick doors)  
 1" (9000ARL locks, for 1 3/8" thick doors)

**BACKSET:** 2 1/2", 2 3/4"

**CASE:** Heavy gauge, plated steel (15/16" thick)

**ARMOR FRONT:** Adjustable bevel brass, bronze, or stainless steel, finished as required.

**LATCH BOLT:** Brass/Delrin 1/2" throw

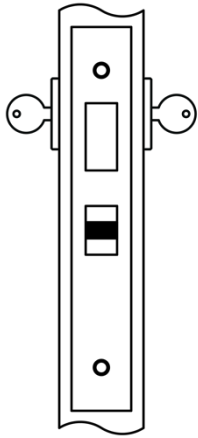
**DEADBOLT:** Brass, 1" throw. (Other throw sizes available as a custom order. Please call for assistance.)

**STRIKE:** 4 7/8" ASA

**HUBS:** No hubs standard. If rigid hubs are required, please specify -F suffix for rigid handles, indicate spindle size or trim manufacturer.

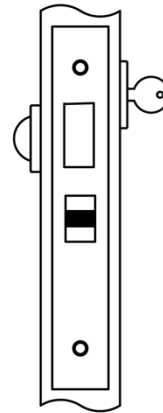
**DUST BOX:** Brass, stainless steel or oil rubbed bronze

# 9000ARL | 9100ARL Functions



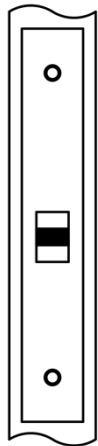
## 9022ARL | 9122ARL DOUBLE CYLINDER ROLLER LATCH

For push/pull privacy applications.  
Deadbolt by key outside and inside.



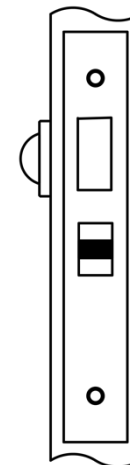
## 9024ARL | 9124ARL ROLLER LATCH LOCK

For push/pull privacy applications.  
Deadbolt by key outside and thumb turn inside.



## 9025ARL | 9125ARL PASSAGE OR CLOSET ROLLER LATCH

For push/pull passage applications.

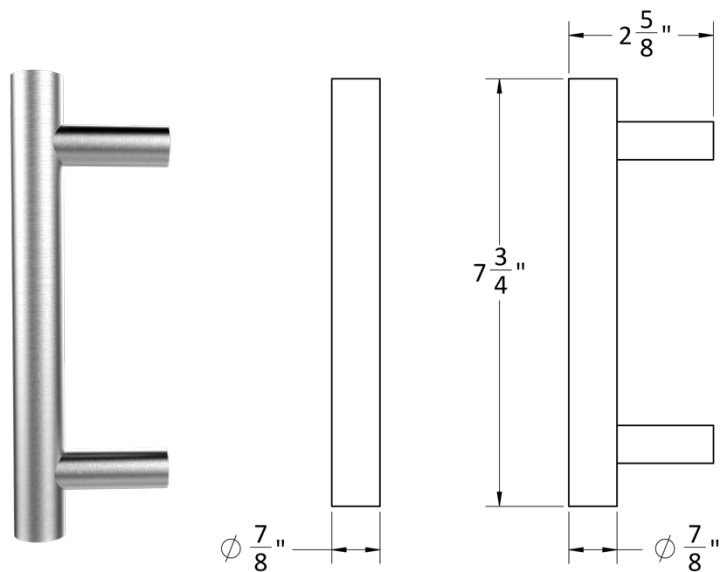


## 9039ARL | 9139ARL PRIVACY ROLLER LATCH

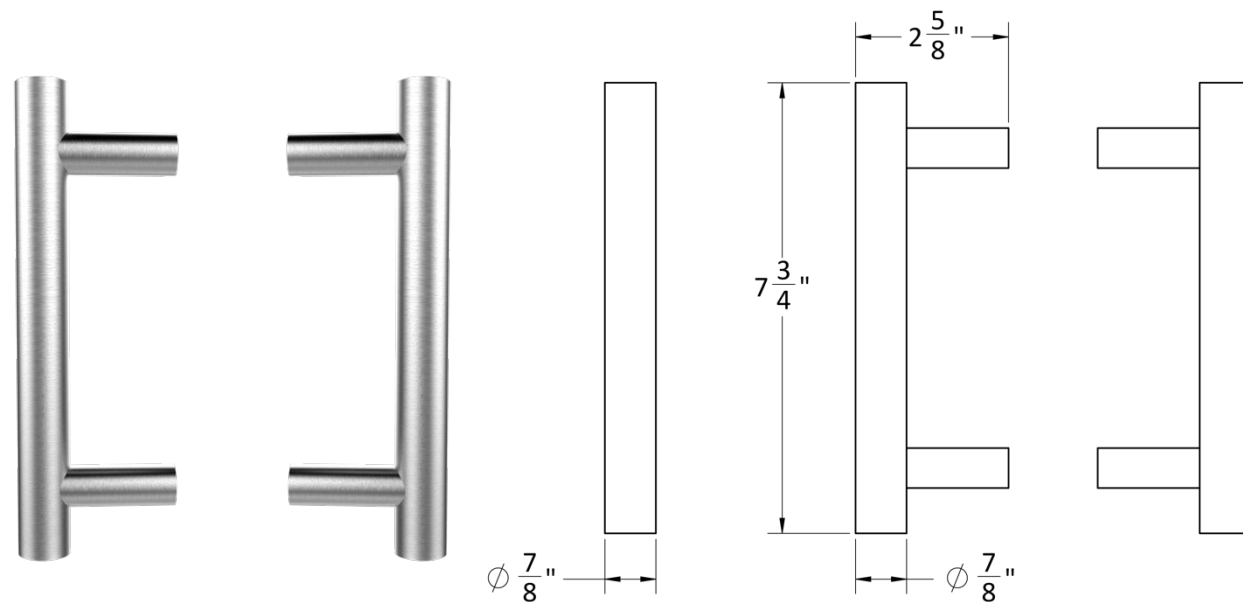
For push/pull privacy applications.  
Deadbolt by thumb turn inside and optional emergency key outside.

# Accurate Trim

**7200P-S  
SINGLE RIGID PULL**



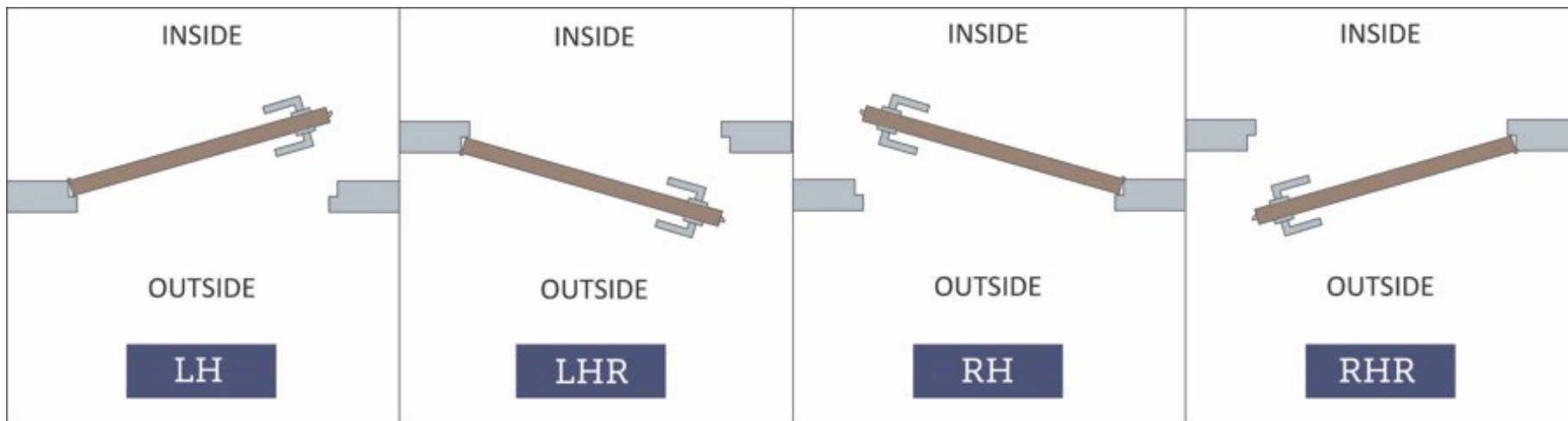
**7200P  
DOUBLE SIDED PULL**





# HOW TO SPECIFY

## HANDING



## FINISHES

**GROUP 1:** US4, US4NL, US32D\*, US26D

**GROUP 2:** US3, US3NL, US26, US32\*, US9\*, US10\*, US10B, US14, US15, US19

**GROUP 3:** BN, BB, TN, TB, DURO, ESN, US15A, US5

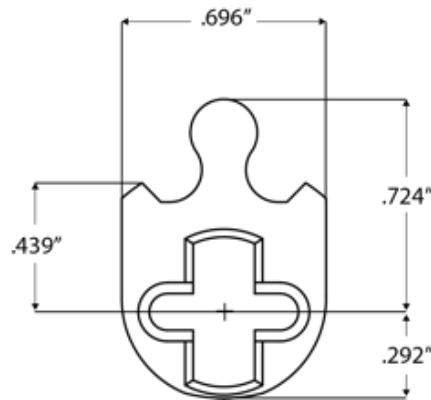
Applicable finishes come standard with [Cerakote Premium Protective Coating](#). Available in gloss or matte.

*\* Trim options (including Accurate Levers) may not be available in US32D, US32, US9, or US10 finish. Please call for assistance.*

To view example of finishes visit: [Accurate Finishes](#).

## CYLINDERS & KEYING

9100ARL Series locks accept any standard American mortise cylinder. For details on required cams and compatibility with other manufacturers' cylinders, please visit: [Accurate Support](#).





# HOW TO SPECIFY

**FUNCTION**.**BACKSET**.**TRIM**.**FINISH**.**HAND**.**DOORTHICKNESS**

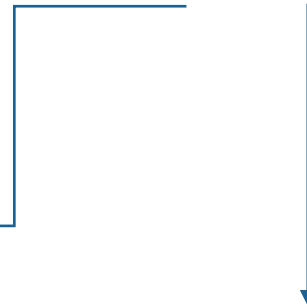
## FUNCTIONS

See available functions (pg. 7)



## BACKSET

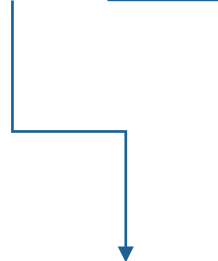
2 1/2", 2 3/4"



## TRIM

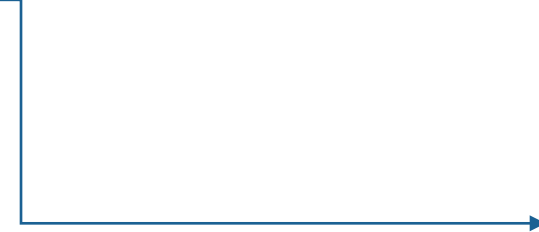
Accurate Rigid Pulls (pg. 6)

If rigid hubs are required, please specify -F suffix for rigid handles, indicate spindle size or trim manufacturer



## FINISHES

See available finishes (pg.9)



## EXAMPLES

Adjustable Roller Latch | Double Cylinder | Accurate Trim

E.g.: 9122ARL.212.7200P.US26D.RH.134

Adjustable Roller Latch | Passage | Other Manufacturers' Trim

E.g.: 9125ARL.234.8mm.US3.LH.134

Adjustable Roller Latch | Privacy | Accurate Trim

E.g.: 9139ARL.234.7200P.US10B.RH.134

Adjustable Roller Latch | Privacy | Accurate Lever Trim

E.g.: 9139ARL-F.234.21L/1R.US19.RH.134

## NOTES

**FURNISHED STANDARD WITH ADJUSTABLE LATCH BOLT**

*For compatibility, please call for assistance.*

**ACCURATE LOCK & HARDWARE  
MANUFACTURERS OF LOCKS AND  
CUSTOM ARCHITECTURAL HARDWARE**

1 Annie Place | Stamford, CT 06902

**P:** 203.348.8865

**F:** 203.348.5234

**E:** sales@accuratelockandhardware.com

**www.accuratelockandhardware.com**



**AMERICAN CRAFTED  
— SINCE 1972 —**