



ACCURATE

LOCK & HARDWARE

AMERICAN CRAFTED SINCE 1972

9000M | 9100M Marine Grade Mortise Lock

FOR COASTAL OR NAUTICAL ENVIRONMENTS

9000M | 9100M

UL Listed 3 Hour (R13846 and R27504).

Grade 1 certified to ANSI/BHMA A156.13.2005 standard – exceeding 5 million cycles at an independent third-party test facility.

BACKSET: 2¹/₂" , 2 ³/₄" For door stiles 4" wide and up

CASE: Stainless Steel (15/16" thick)

ARMOR FRONT: 316 Stainless Steel with Adjustable Bevel

LATCH BOLT: Anti-Friction, 3/4" throw

DEADBOLT: Brass, 1" throw. (Other throw sizes available as a custom order. Please call for assistance.)

STRIKE: 4 ⁷/₈" ASA, Stainless Steel

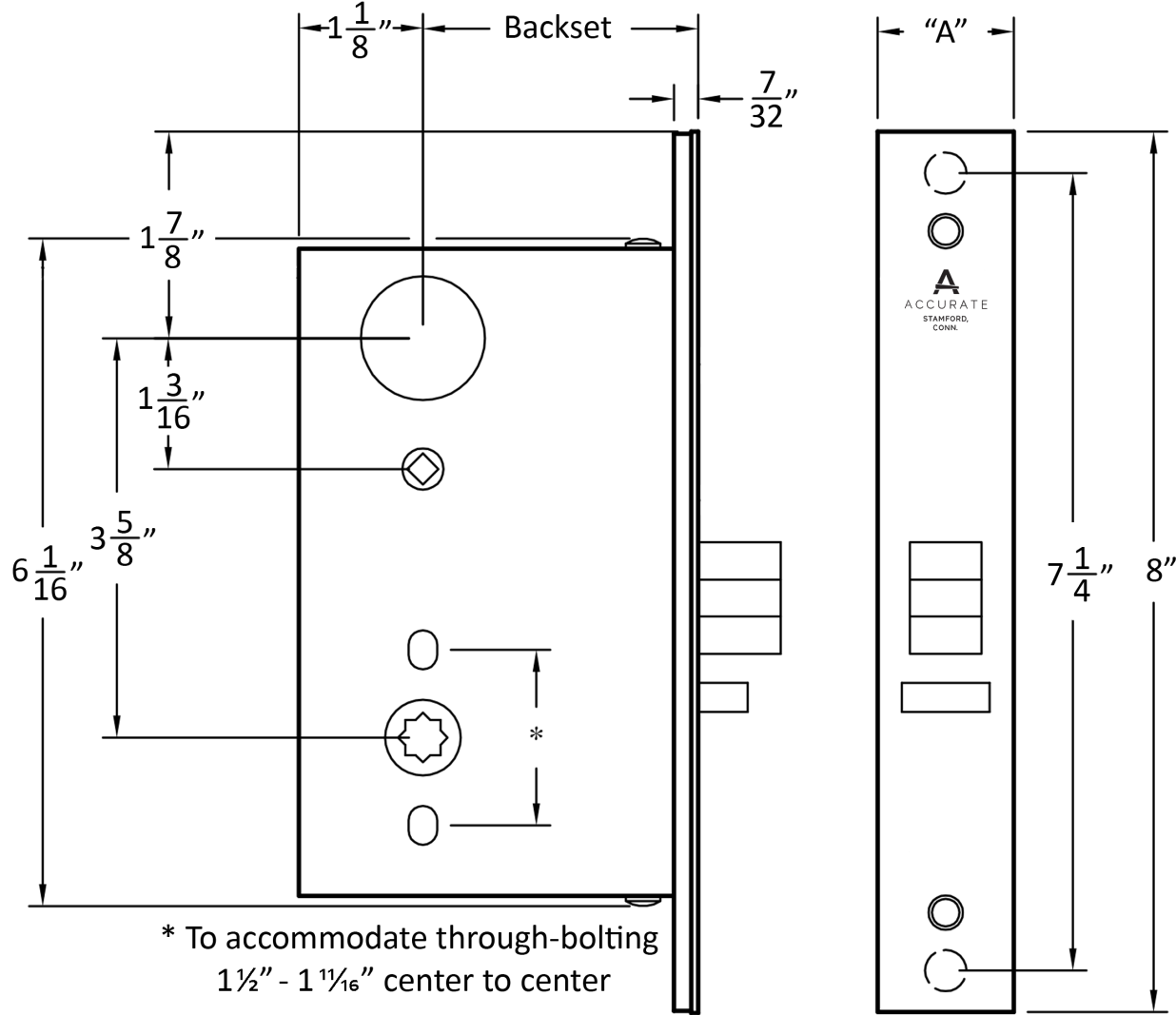
HUBS: Available in different sizes to be compatible with various trim.

DUST BOX: Stainless Steel



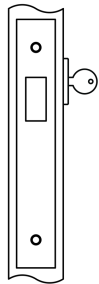
9159M MARINE GRADE MORTISE LOCK

9000M | 9100M Dimensions



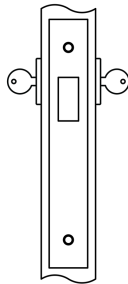
"A" 9100 Series - $1\frac{1}{4}$ "
9000 Series - 1"

9000M | 9100M Series Functions

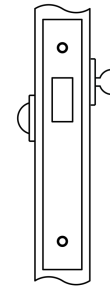


**9001M | 9101M
DEADLOCK**
(ANSI SERIES 1000-F18)
Deadbolt by key outside.

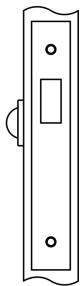
No inside operation.



**9002M | 9102M
DEADLOCK**
(ANSI SERIES 1000-F16)
Deadbolt by key either side.

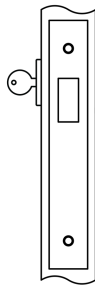


**9003M | 9103M
DEADLOCK**
(ANSI SERIES 1000-F17)
Deadbolt by key outside, thumb turn inside.



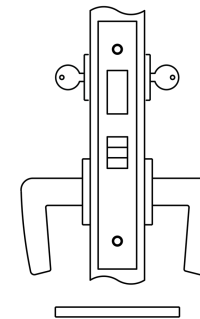
**9004M | 9104M
DEADLOCK**

Deadbolt by thumb turn inside only, no
outside operations.



**9005M | 9105M
DEADLOCK**

Deadbolt by emergency release outside,
thumb turn inside.

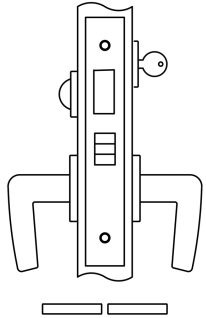


**9022M | 9122M
STORE DOOR**
(ANSI SERIES 1000-F14)
Latch bolt by lever either side.

Deadbolt by key either side.

No emergency egress.

9000M | 9100M Series Functions



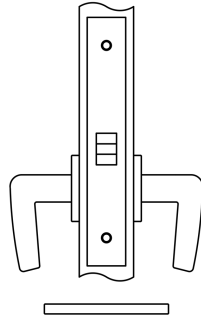
9024M | 9124M DORMITORY

(ANSI SERIES 1000-F13)

Latch bolt by lever either side.

Deadbolt by key outside, thumb turn inside.

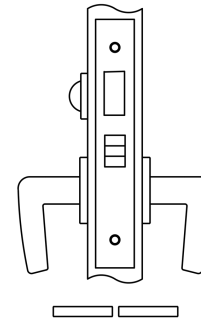
A turn of the inside lever retracts latch and deadbolt simultaneously, automatically unlocking outside lever.



9025M | 9125M PASSAGE

(ANSI SERIES 1000-F01)

Latch bolt by lever either side.



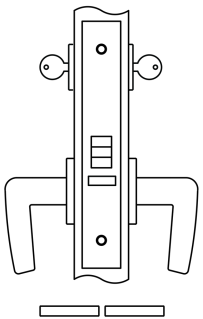
9039M | 9139M PRIVACY BEDROOM/BATHROOM

(ANSI SERIES 1000-F19)

Latch bolt by lever either side.

Deadbolt by thumb turn inside and optional emergency release outside.

Turn of inside lever retracts latch and deadbolt simultaneously, automatically unlocking outside lever.



9042M | 9142M ENTRANCE

(ANSI SERIES 1000-F09)

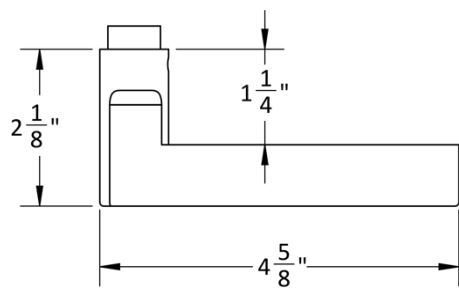
Latch bolt by lever either side unless outside lever is locked by Master Key from inside.

When outside lever is locked, latch bolt by key outside and lever inside.

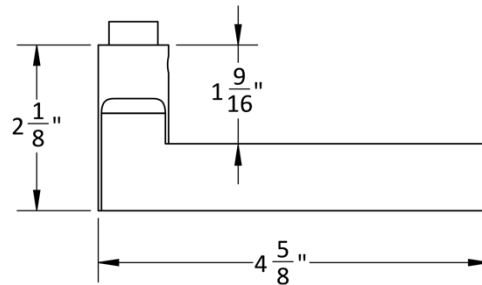
Auxiliary latch deadlocks latch bolt.

Accurate Lever Trim

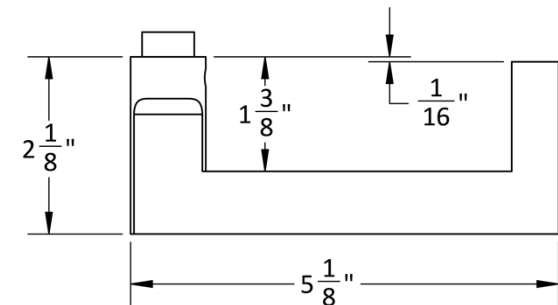
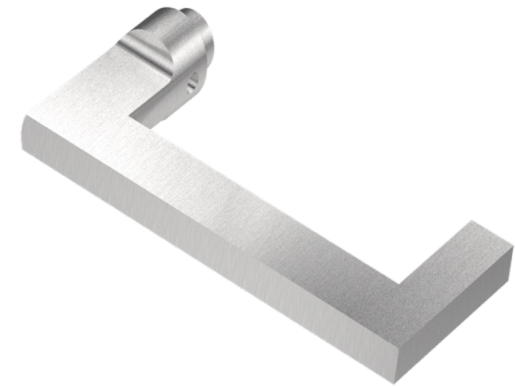
18L LEVER



19L LEVER

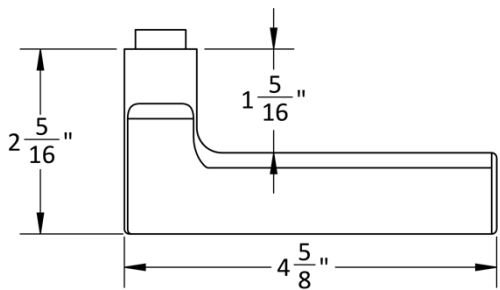


20L LEVER

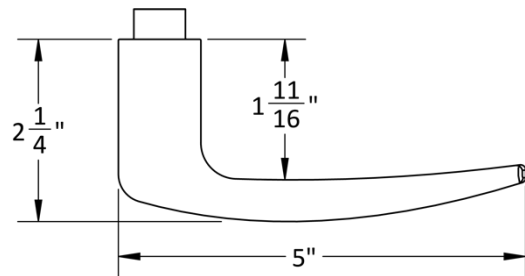


Accurate Lever Trim

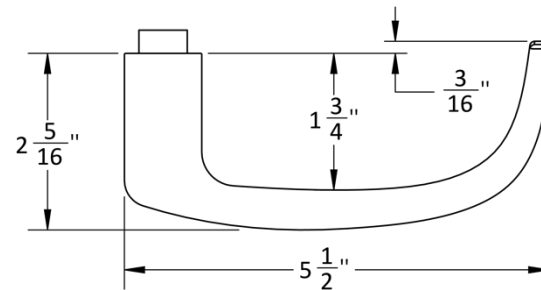
21L LEVER



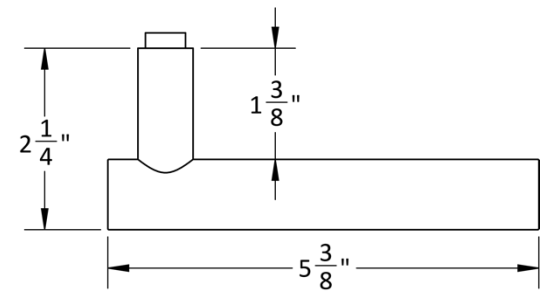
29L LEVER



39L LEVER



72L LEVER

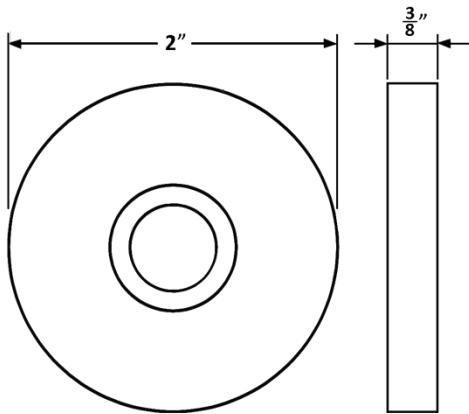


Accurate Rose Options

1R ROSE

Front

Side



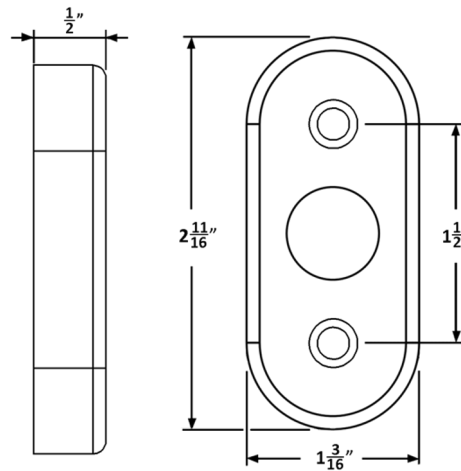
SILENTPAC™ LEVER DAMPENING DISC CAN BE SPECIFIED WITH THE 1R ROSE VISIT SILENTPACSOLUTIONS.COM

2R ROSE

Side

Inside

Outside

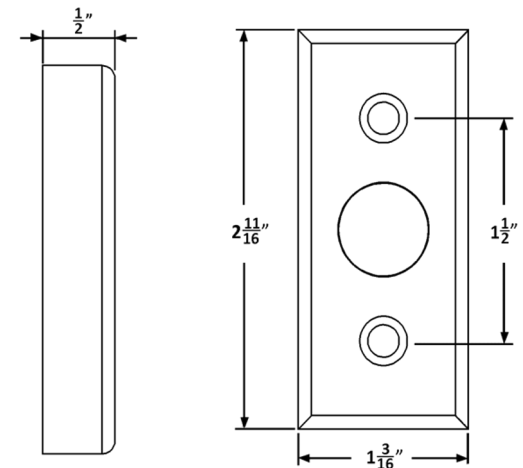


4R ROSE

Side

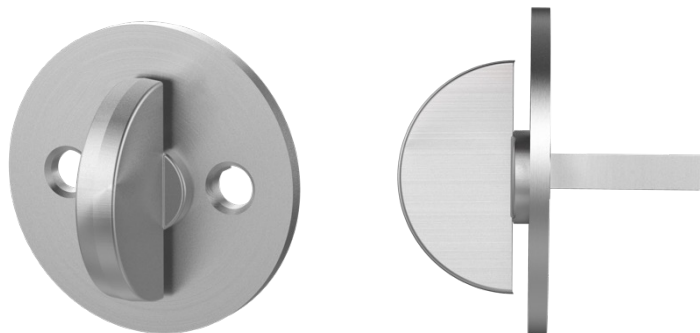
Inside

Outside

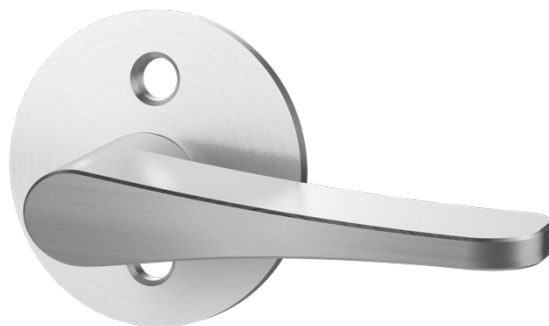


Thumb Turns + Accessories

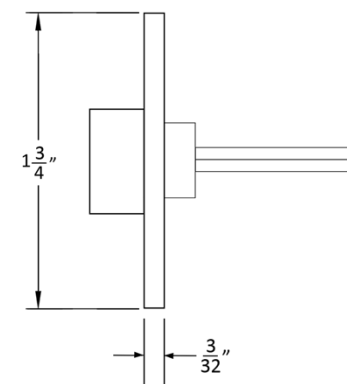
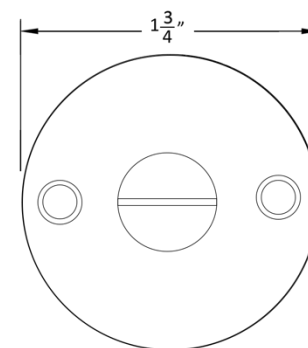
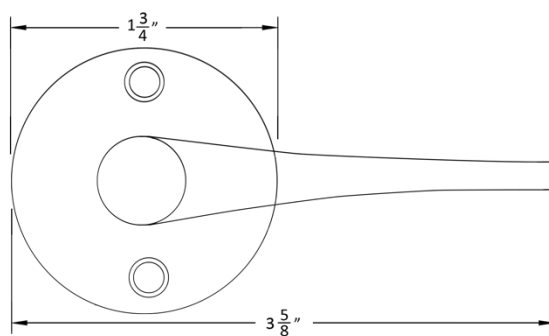
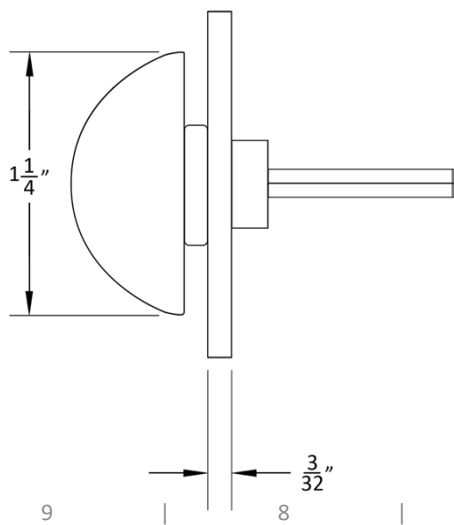
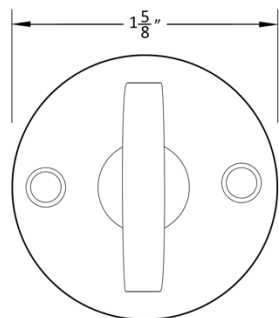
GF1106 THUMB TURN



7200ADA THUMB TURN

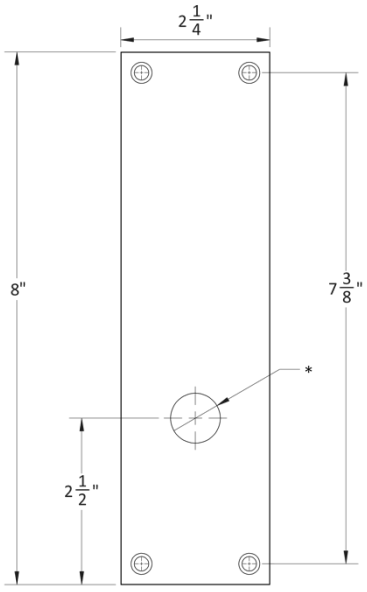


7200ER + 7200ERi EMERGENCY RELEASE



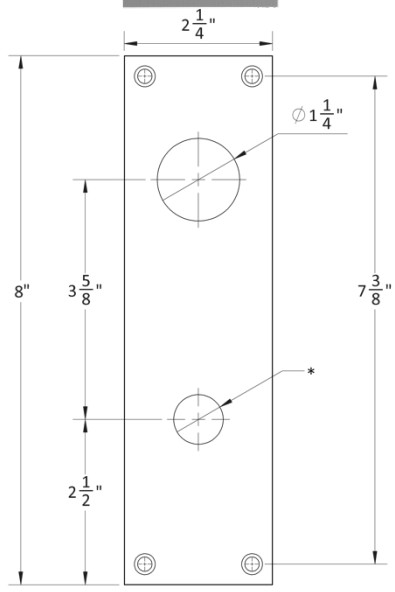
Accurate Escutcheon Options

**1E-B
BLANK**



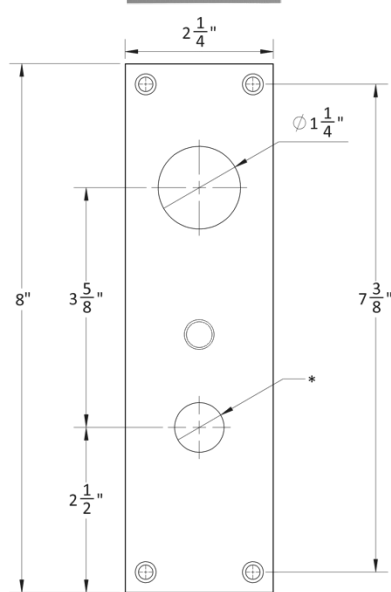
* Dimensions may vary depending on trim

**1E-C
CYLINDER CUTOUT**



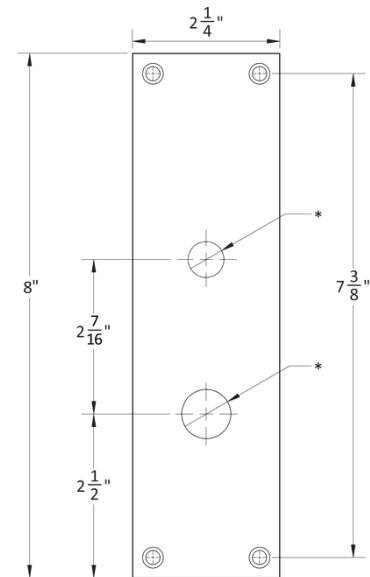
* Dimensions may vary depending on trim

**1E-Ci
CYLINDER CUTOUT WITH INDICATOR**



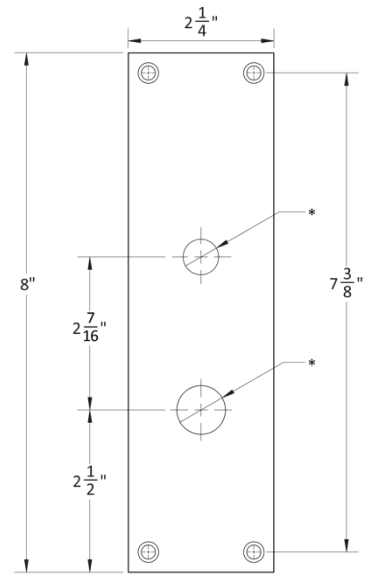
* Dimensions may vary depending on trim

**1E-T
THUMB TURN**



* Dimensions may vary depending on trim

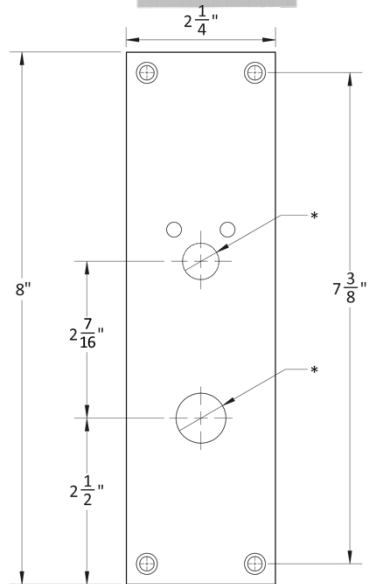
**1E-E
EMERGENCY RELEASE**



* Dimensions may vary depending on trim

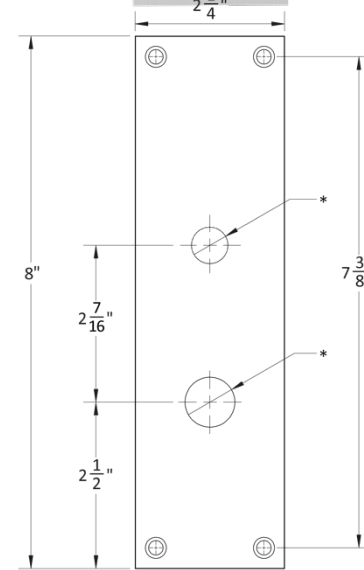
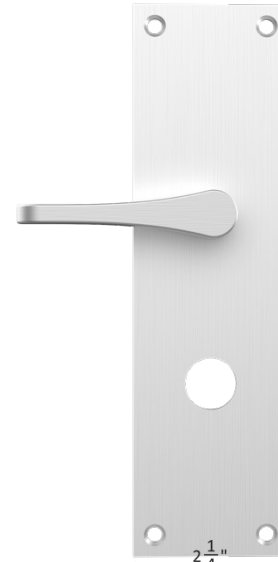
Accurate Escutcheon Options

1E-Oi OCCUPANCY INDICATOR



* Dimensions may vary depending on trim

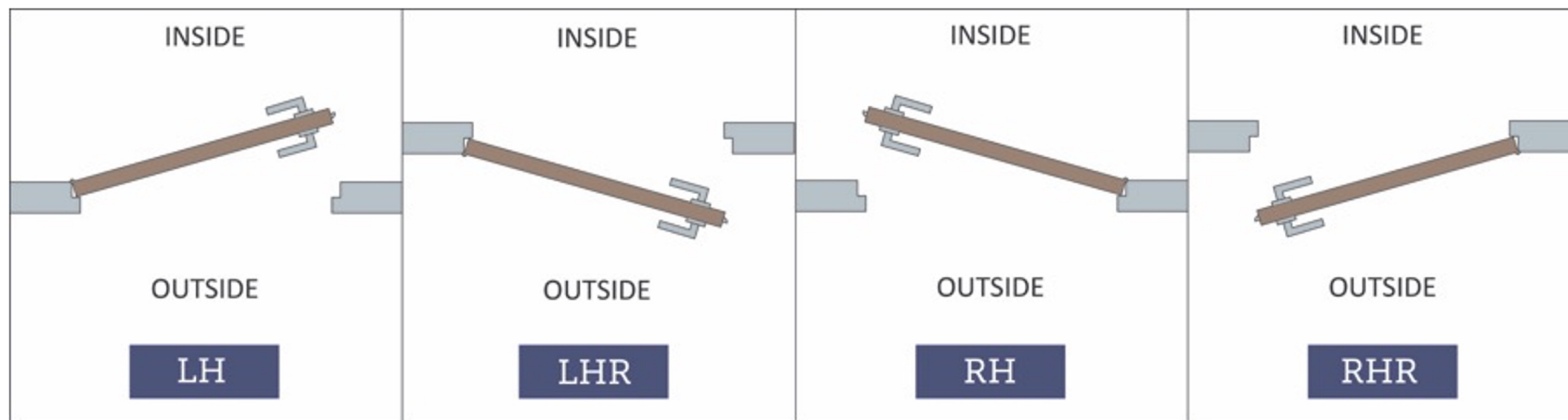
1E-ADA ADA THUMB TURN



* Dimensions may vary depending on trim

HOW TO SPECIFY

HANDING



FINISHES

GROUP 1: US4, US4NL, US32D*, US26D

GROUP 2: US3, US3NL, US26, US32*, US9*, US10*, US10B, US14, US15, US19

GROUP 3: BN, BB, TN, TB, DURO, ESN, US15A, US5

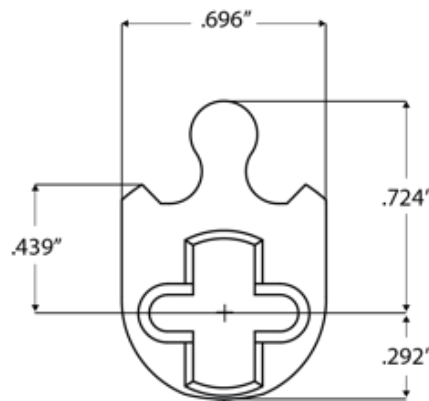
Applicable finishes come standard with [Cerakote Premium Protective Coating](#). Available in gloss or matte.

** Trim options (including Accurate Levers) may not be available in US32D, US32, US9, or US10 finish. Please call for assistance.*

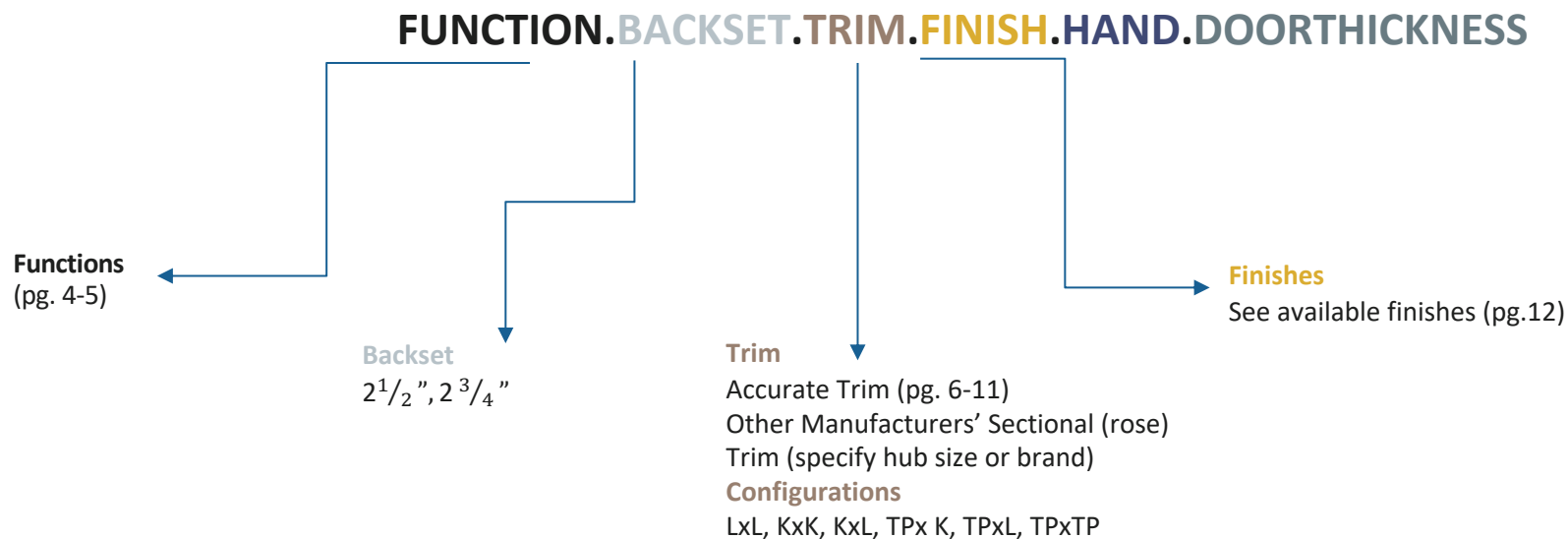
To view example of finishes visit: [Accurate Finishes](#).

CYLINDERS & KEYING

9100M Series locks accept any standard American mortise cylinder. For details on required cams and compatibility with other manufacturers' cylinders, please visit: [Accurate Support](#).



HOW TO SPECIFY



EXAMPLES

Marine Grade Passage Lock | Accurate Trim

E.g. 9125M.234.21L/1R.US14.RH.134

Marine Grade Entry Lock | Other Manufacturers' Trim

E.g. 9142.212.LxL.8mm.US10B.LH.134

Marine Grade Store Door Lock | Accurate Trim

E.g. 9122.334.19L/1E.US26.RH.134

CUSTOM OPTIONS AVAILABLE

- Custom backsets available

HOW TO SPECIFY

FUNCTION.BACKSET.TRIM.FINISH.HAND.DOORTHICKNESS

FUNCTIONS

See available functions (pg. 7)



BACKSET

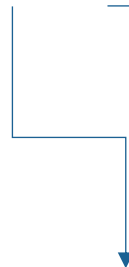
2¹/₂" , 2³/₄"



TRIM

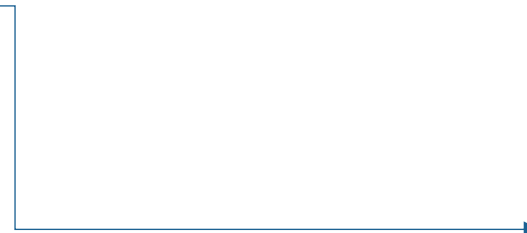
Accurate Rigid Pulls (pg. 6)

If rigid hubs are required, please specify -F suffix for rigid handles, indicate spindle size or trim manufacturer



FINISHES

See available finishes (pg.9)



EXAMPLES

Adjustable Roller Latch | Double Cylinder | Accurate Trim

E.g.: 9122ARL.212.7200P.US26D.RH.134

Adjustable Roller Latch | Passage | Other Manufacturers' Trim

E.g.: 9125ARL.234.8mm.US3.LH.134

Adjustable Roller Latch | Privacy | Accurate Trim

E.g.: 9139ARL.234.7200P.US10B.RH.134

Adjustable Roller Latch | Privacy | Accurate Lever Trim

E.g.: 9139ARL-F.234.21L/1R.US19.RH.134

NOTES

FURNISHED STANDARD WITH ADJUSTABLE LATCH BOLT

For compatibility, please call for assistance.

**ACCURATE LOCK & HARDWARE
MANUFACTURERS OF LOCKS AND
CUSTOM ARCHITECTURAL HARDWARE**

1 Annie Place | Stamford, CT 06902

P: 203.348.8865

F: 203.348.5234

E: sales@accuratelockandhardware.com

www.accuratelockandhardware.com



AMERICAN CRAFTED
— SINCE 1972 —