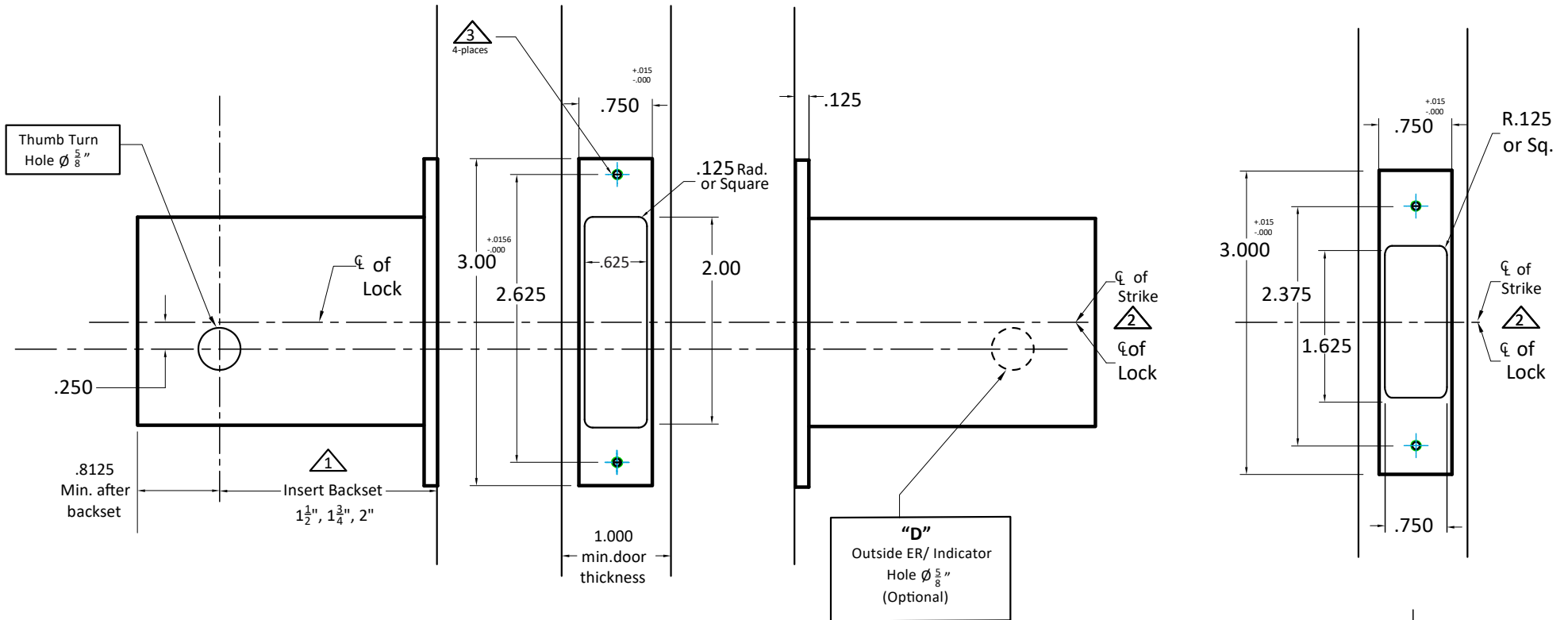
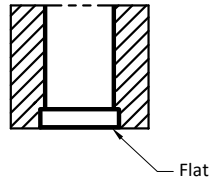


INSIDE
OF DOOR

OUTSIDE
OF DOOR

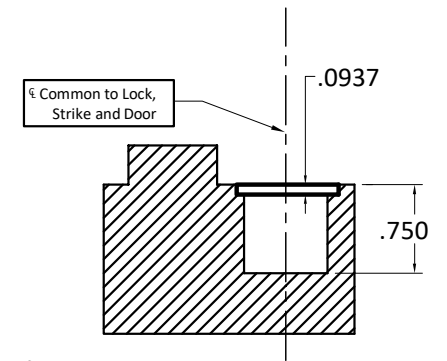


Important Notes:

- ① Insert backset here 1½", 1¾", 2"
- ② Center Line of strike in line with Center Line of lock
- ③ Prep for #6 wood screws (Lock and Strike)

Additional Notes:

- a) **Responsibility:** Door and frame manufacturers are responsible for providing adequate construction or re-inforcement for proper installation of hardware shown.
- b) See catalog / spec sheets for additional lock details



6500 Series Screen Mortise Lock
Dead Bolt Only

T-ALH.6500DB