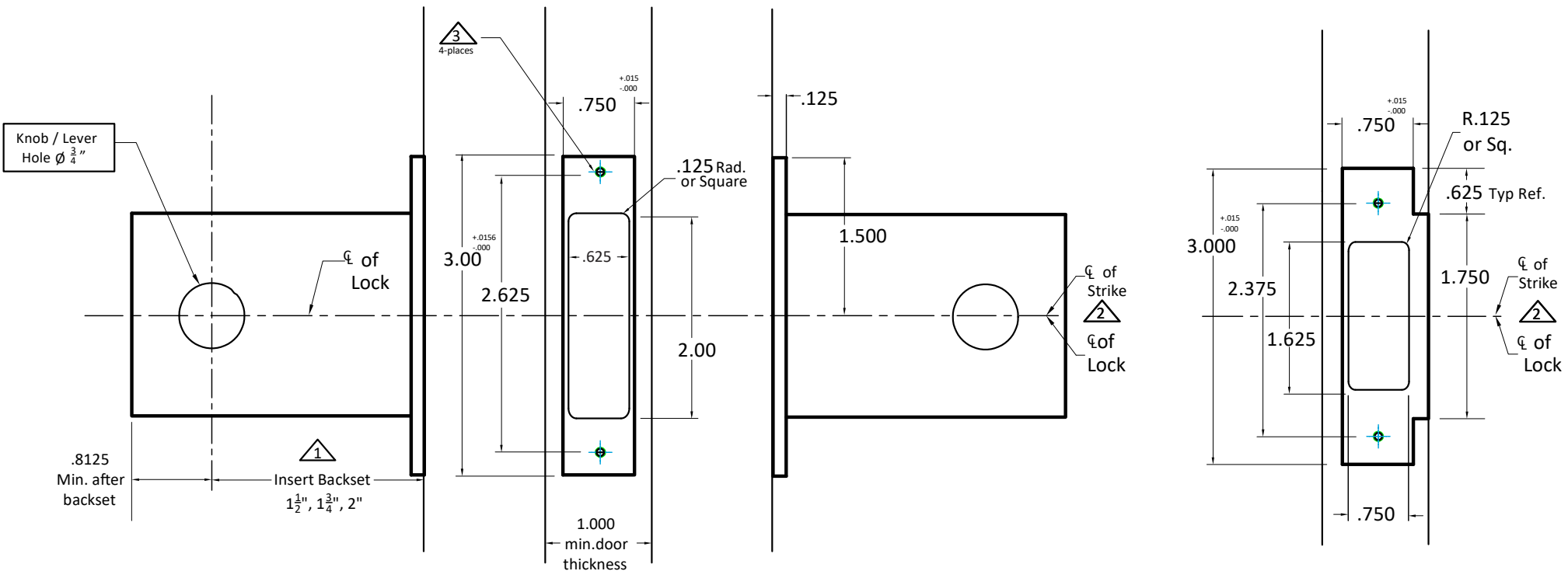
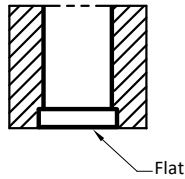


# INSIDE OF DOOR

# OUTSIDE OF DOOR

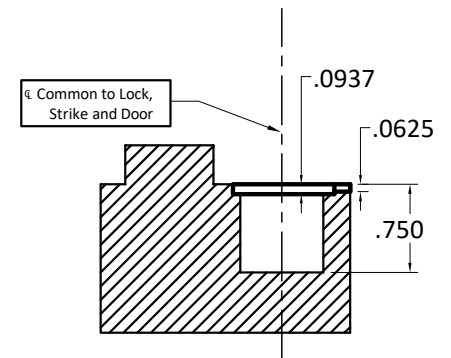


### Important Notes:

- 1 Insert backset here  $1\frac{1}{2}$ ",  $1\frac{3}{4}$ ",  $2$ "
- 2 Center Line of strike in line with Center Line of lock
- 3 Prep for #6 wood screws (Lock and Strike)

### Additional Notes:

- a) **Responsibility:** Door and frame manufacturers are responsible for providing adequate construction or re-inforcement for proper installation of hardware shown.
- b) See catalog / spec sheets for additional lock details



6500 Series Screen Mortise Lock  
Latch Bolt Only

T-ALH.6500LB