



ACCURATE
LOCK & HARDWARE
AMERICAN CRAFTED SINCE 1972

RMS PROGRAM: LIGATURE RESISTANT CRESCENT CYLINDRICAL SET

THE GOLD STANDARD FOR LIGATURE RESISTANCE + ADA COMPLIANCE



10

9

8



'RMS' RAPID MAKE + SHIP PROGRAM

QUICK DELIVERY TO BRING DOORS TO COMPLIANCE

RETROFIT READY

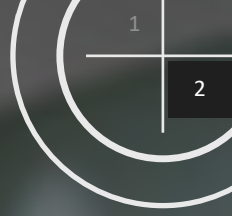
Ideal to upgrade existing doors quickly and efficiently.

MADE + SHIPPED IN A WEEK OR LESS

Orders received by 3pm EST will be processed, made and shipped within 3-5 business days.

SETS OF 15-25

Maximum 20 Crescent Handle Sets per RMS Program order.



11

10

9

8

7

6

5

4

3

2

1

RMS PROGRAM GUIDELINES

ELIGIBLE SETS

The RMS Program applies to the following sets:

- **CH-CYL-CLA.234.LC.626.[HAND].134DT.STRIKE OPTION**
- **CH-CYL-STO.234.LC.626.[HAND].134DT.STRIKE OPTION**
- **CH-CYL-PA.234.LC.626.[HAND].134DT.STRIKE OPTION**
- **CH-CYL-ASY.234.LC.626.[HAND].134DT.STRIKE OPTION**
 - All above supplied LESS CYLINDERS, with handles fitted for use key-in-lever CONVENTIONAL type cylinders. Accurate can supply conventional type cylinders under RMS Program: Schlage C keyway, keyed different. P/Ns as follows:
 - CH-CYL-CLA.234.GC.626.[HAND].134DT.STRIKE OPTION
 - CH-CYL-STO.234.GC.626.[HAND].134DT.STRIKE OPTION
 - CH-CYL-PA.234.GC.626.[HAND].134DT.STRIKE OPTION
 - CH-CYL-ASY.234.GC.626.[HAND].134DT.STRIKE OPTION

QUANTITY

15 – 25 sets per RMS Program order (listed part numbers may be combined to meet minimum).

SHIPPING

Orders received by 3pm EST, will be processed, made and shipped within 3-5 business days.

CONDITIONS

Orders cannot be changed or cancelled. Doing so may result in a 45% restocking fee (refer to standard [Terms & Conditions](#)).

The RMS Program delivery commitment is intended to include only the products listed above. Any additions, modifications, and/or options outside of these guidelines will receive standard processing and lead-time.



CRESCENT CYLINDRICAL SET

THE **GOLD STANDARD** FOR HIGH RISK ENVIRONMENTS

Supplied with a Grade 1 cylindrical lock, Accurate's CH-CYL sets are available in a variety of functions including, but not limited to: Classroom, Storeroom, Asylum, Entry and Dormitory/Institutional Privacy functions, fitted for conventional or IC cylinders to preserve existing keying systems. (A sample key-in-lever type core is required to ensure compatibility, or conventional cylinders can be supplied for maximum speed of delivery.)



PAPERCLIP PROTECTION
Meets the Highest Safety Ratings

The Accurate Crescent Cylindrical Set has been recognized as Gold Standard hardware for behavioral healthcare facilities by NYS-OMH*. This superior hardware solutions meets the industry's highest safety ratings including withstanding paperclip testing.



QUICK SHIP
RMS Program

The 'RMS' Rapid Make + Ship Program offers quick delivery to bring your doors to compliance and ship within a week or less.

*Reference page 39 in NYS-OMH Guide



THE EVOLUTION OF THE CRESCENT HANDLE

The patented Crescent Handle has quickly become the standard for ligature resistance and accessibility. Partnering with leading healthcare agencies and institutions around the country, Accurate has continually evolved the product to the superior hardware it is today.

GOLD STANDARD APPROVED FOR HIGH RISK AREAS BY THE NYS-OMH



Lever style trim is not appropriate for high risk areas. It is nearly impossible to completely avoid ligature opportunities with lever style door trim, even if designed to be ligature resistant. At best, lever style door trim is only appropriate for medium and low risk areas.*

As explained by the [NYS-OMH](#)*

CRESCENT CYLINDRICAL SETS

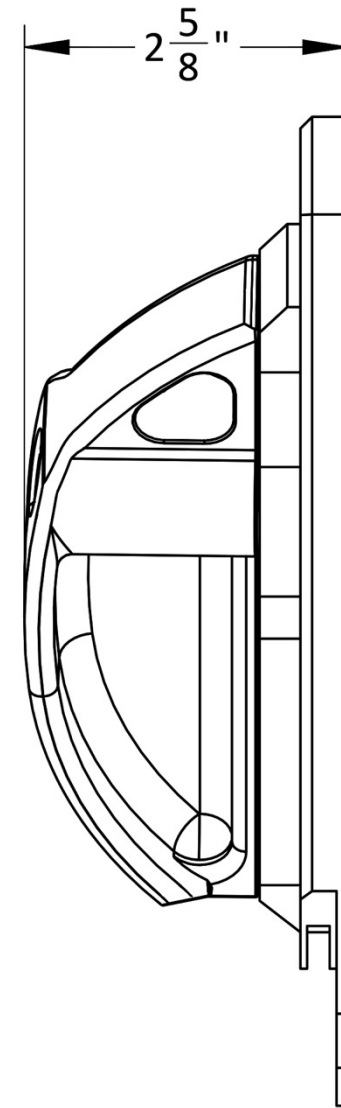
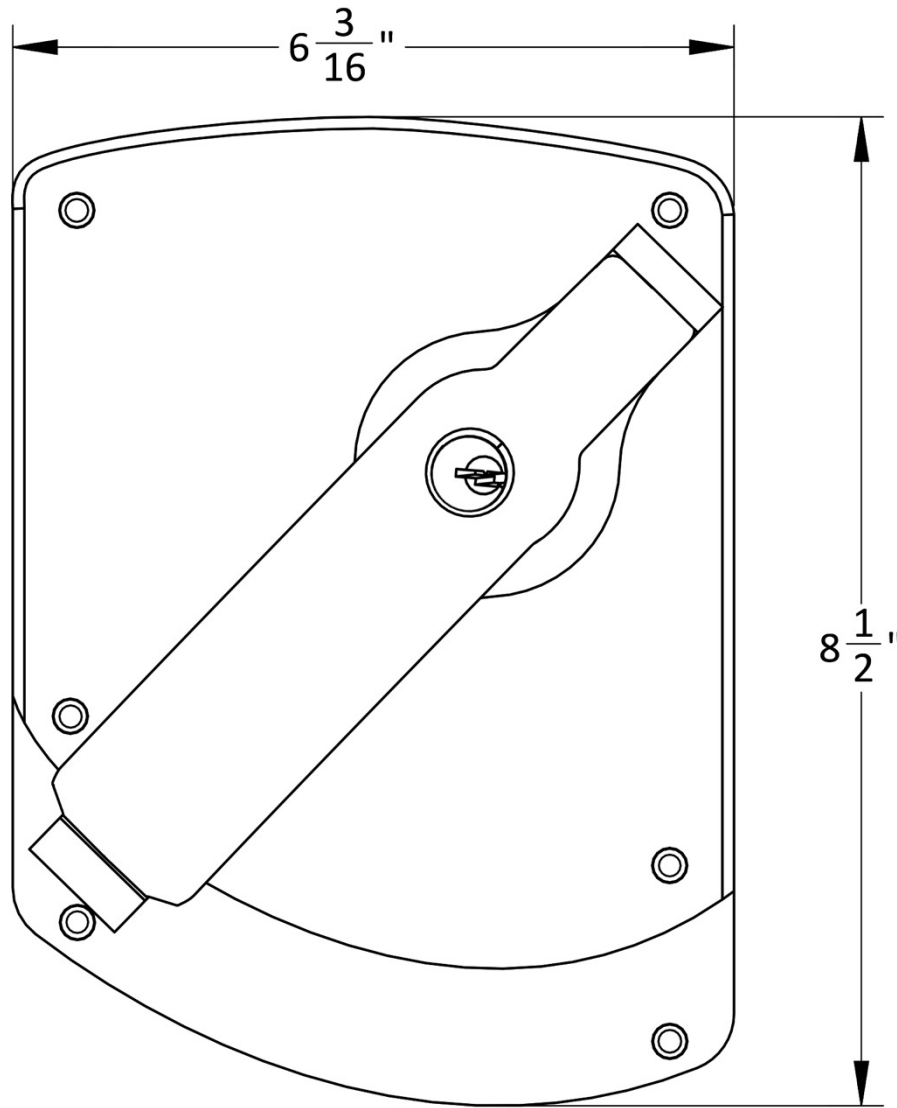
THE SMART + SIMPLE SOLUTION

- The highest level of ligature resistance featuring Paperclip Protection
- UL Listed 3 Hour (R13846)
- For use on cylindrical (ANSI 161) door preparations
- Furnished with a Grade 1, UL listed cylindrical lock (less cylinders)
- Meets BHMA 156.34 Ligature Resistant Trim Standard
- Fitted for conventional or IC cylinders to preserve existing keying systems (a sample core is required) or furnished with conventional type cylinders (restrictions apply)
- Meets ADA requirements
- Available with Beveled Safety latch (specify with caution, see [here](#) for more information)
- 626/630 finish standard
- Supplied with Torx® Security Screws
- 2³/₄" backset standard, 3³/₄" or 5" available for retrofit or specialty applications (e.g. replacement of non-compliant push/paddle sets or for integration with specialty stops for anti-barricade strategies)
- Dimensions: 8 1/2" high by 6 3/16" wide with a projection of 2 5/8"

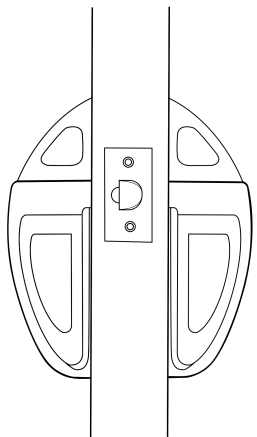


EXAMPLE OF CRESCENT CYLINDRICAL SET
IN A HEALTHCARE SETTING

CRESCENT CYLINDRICAL SET SPECS

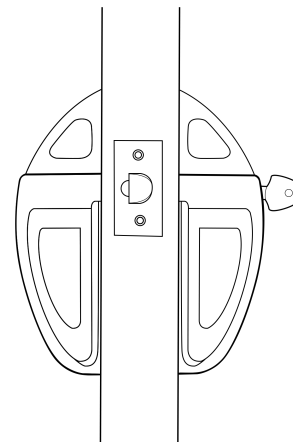


RMS PROGRAM ELIGIBLE FUNCTIONS



CH-CYL-PA (ANSI F75) PASSAGE OR CLOSET

Latch by handle either side.

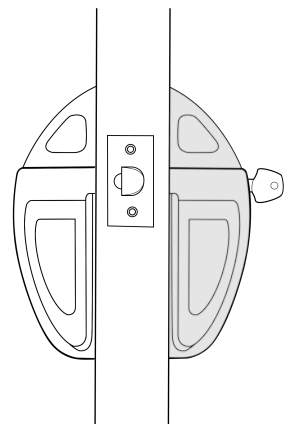


CH-CYL-CLA (ANSI F84) CLASSROOM

Latch by handle either side unless outside handle is locked by key.

Key outside locks/unlocks outside handle and retracts latch.

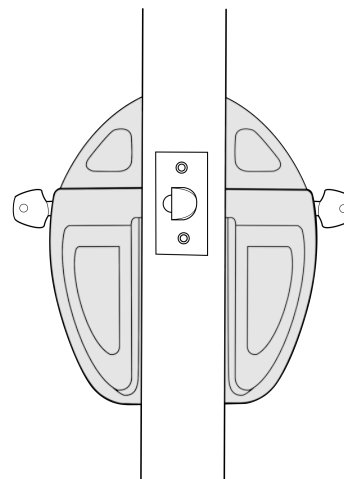
Inside handle is always free.



CH-CYL-STO (ANSI F86) STOREROOM OR CLOSET

Latch by handle inside or key outside.

Outside handle rigid at all times.



CH-CYL-ASY (ANSI F87) ASYLUM OR INSTITUTIONAL

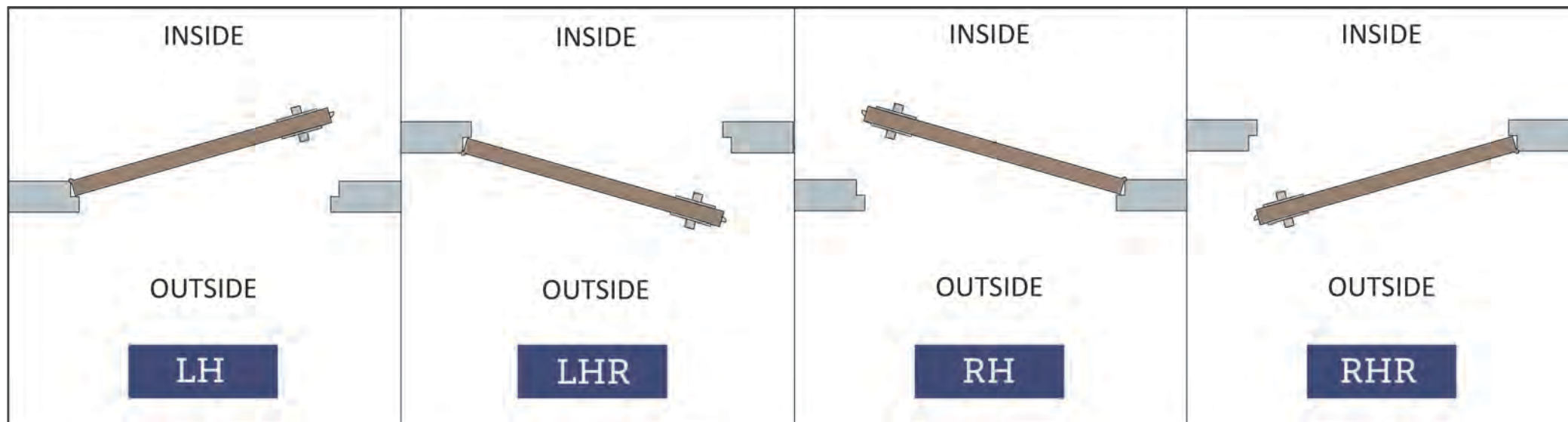
Both handles rigid at all times.

Latch by key either side.

Verify code compliance before using this function.

RMS PROGRAM: HOW TO ORDER

HANDING



FINISHES

Standard Finish US26D/US32D.

Please [contact us](#) regarding availability of other finishes.

CYLINDERS & KEYING

- All sets supplied less cores, fitted for conventional or IC cylinders to preserve existing keying systems (a sample core is required along with an order).
- Small and large format cores may carry an upcharge. Please call for assistance (a sample might be needed for evaluation and final quoting).
- Accurate can furnish conventional, key-in-lever type cylinders (Schlage C keyway, keyed different) upon request.

RMS PROGRAM ORDER FORM

CUSTOMER INFO:

Name: _____

Company: _____

Street Address: _____

City: _____ State: _____ Zip Code: _____

Phone: _____

Email: _____

SHIPPING ADDRESS (If Different):

Name: _____

Company: _____

Street Address: _____

City: _____ State: _____ Zip Code: _____

Phone: _____

Email: _____

FUNCTION	BACKSET	CYLINDER OPTION	FINISH	HANDING (Enter Quantity)				DOOR THICKNESS	STRIKE OPTION (Enter Quantity)			TOTAL QUANTITY (Minimum 15, not to exceed 25 per order)
				RH	RHR	LH	LHR		LESS STRIKE	4-7/8" STRIKE	2-3/4" STRIKE	
CH-CYL-CLA	234	LC	626					134DT				
CH-CYL-STO	234	LC	626					134DT				
CH-CYL-PA	234	LC	626					134DT				
CH-CYL-ASY	234	LC	626					134DT				
CH-CYL-CLA	234	GC	626					134DT				
CH-CYL-STO	234	GC	626					134DT				
CH-CYL-PA	234	GC	626					134DT				
CH-CYL-ASY	234	GC	626					134DT				

SHIP VIA:

FEDEX FREIGHT PRIORITY SERVICE (Not an overnight service, delivery varies by zone.)

UPS NEXT DAY AIR MUST SPECIFY 3rd PARTY ACCOUNT NUMBER: _____

UPS 2 DAY. MUST SPECIFY 3rd PARTY ACCOUNT NUMBER: _____

UPS 3 DAY MUST SPECIFY 3rd PARTY ACCOUNT NUMBER: _____

UPS GROUND MUST SPECIFY 3rd PARTY ACCOUNT NUMBER: _____

FEDEX 2 DAY GROUND MUST SPECIFY 3rd PARTY ACCOUNT NUMBER: _____

FEDEX 3 DAY GROUND MUST SPECIFY 3rd PARTY ACCOUNT NUMBER: _____

**ACCURATE LOCK & HARDWARE
MANUFACTURERS OF LOCKS AND
CUSTOM ARCHITECTURAL HARDWARE**

1 Annie Place | Stamford, CT 06902

P: 203.348.8865

F: 203.348.5234

E: sales@accuratelockandhardware.com

www.accuratelockandhardware.com



AMERICAN CRAFTED
— SINCE 1972 —