



ACCURATE  
LOCK & HARDWARE  
AMERICAN CRAFTED SINCE 1972

---

RMS PROGRAM: LIGATURE RESISTANT CRESCENT MORTISE SET

THE GOLD STANDARD FOR LIGATURE RESISTANCE + ADA COMPLIANCE



# 'RMS' RAPID MAKE + SHIP PROGRAM

QUICK DELIVERY TO BRING DOORS TO COMPLIANCE

## **R**ETROFIT READY

Ideal to upgrade existing doors quickly and efficiently.

## **M**ADE + SHIPPED IN A WEEK OR LESS

Orders received by 3pm EST will be processed, made and shipped within 3-5 business days.

## **S**ETS OF 15-25

Maximum 20 Crescent Handle Sets per RMS Program order.

# RMS PROGRAM GUIDELINES

## ELIGIBLE SETS

The RMS Program applies to the following sets:

- **PASSAGE: CH 9125SEC.234.L.PC.626.[HAND].134DT**
- **CLASSROOM: CH 9145SEC.234.LC.L.PC.626.[HAND].134DT**
- **ASYLUM: CH 9158SEC.234.LC.L.PC.626.[HAND].134DT**
- **STOREROOM: CH 9159SEC.234.LC.L.PC626.[HAND].134DT**

## QUANTITY

15 – 20 sets per RMS Program order (listed part numbers may be combined to meet minimum).

## SHIPPING

Orders received by 3pm EST, will be processed, made and shipped within 3-5 business days.

## CONDITIONS

Orders cannot be changed or cancelled. Doing so may result in a 45% restocking fee (refer to standard [Terms & Conditions](#)). The RMS Program delivery commitment is intended to include only the products listed above. Any additions, modifications, and/or options outside of these guidelines will receive standard processing and lead-time.

# HIGH SECURITY CRESCENT MORTISE SET

THE **GOLD STANDARD** FOR HIGH RISK ENVIRONMENTS



## PAPERCLIP PROTECTION

Meets the Highest Safety Ratings

The Crescent Mortise Set has been recognized as Gold Standard hardware for behavioral healthcare facilities by NYS-OMH\*. This superior hardware solutions meets the industry's highest safety ratings including withstanding paperclip testing.



## STRONG

High Security Mortise Lock

The Crescent Mortise set comes standard\*\* with the High Security Mortise Lock which is proven to withstand over 300x more abuse than the Grade 1 requirement.



## QUICK SHIP

RMS Program

The 'RMS' Rapid Make + Ship Program offers quick delivery to bring your doors to compliance and ship within a week or less.

\*Reference page 39 in NYS-OMH Guide

\*\* Grade 1 Locksets also available.



## THE EVOLUTION OF THE CRESCENT HANDLE

The patented Crescent Handle has quickly become the standard for ligature resistance and accessibility. Partnering with leading healthcare agencies and institutions around the country, Accurate has continually evolved the product to the superior hardware it is today.

# GOLD STANDARD APPROVED FOR HIGH RISK AREAS BY THE NYS-OMH



Lever style trim is not appropriate for high risk areas. It is nearly impossible to completely avoid ligature opportunities with lever style door trim, even if designed to be ligature resistant. At best, lever style door trim is only appropriate for medium and low risk areas.\*

As explained by the [NYS-OMH](#)\*

# HIGH SECURITY CRESCENT MORTISE SET

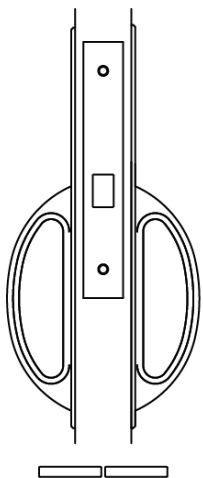
THE **GOLD STANDARD** FOR HIGH RISK ENVIRONMENTS

- The highest level of ligature resistance featuring Paperclip Protection
- UL Listed 3 Hour (R13846, R27504)
- Meets BHMA 156.34 Ligature Resistant Trim Standard
- Compatible with any standard mortise cylinder (must be ordered with appropriate cam)
- US26D/US32D finish standard, anti-microbial plating available
- Supplied with Torx® Security Screws
- Dimensions: 12<sup>1/4</sup>" high by 4<sup>7/8</sup>" wide with a projection of 2<sup>1/4</sup>"



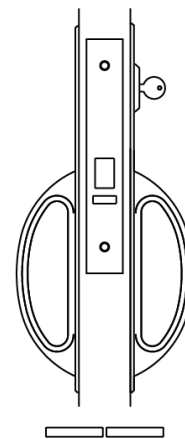
EXAMPLE OF CRESCENT MORTISE IN A HEALTHCARE SETTING

# RMS PROGRAM ELIGIBLE FUNCTIONS



## CH 9125SEC PASSAGE

Latch by handle either side.

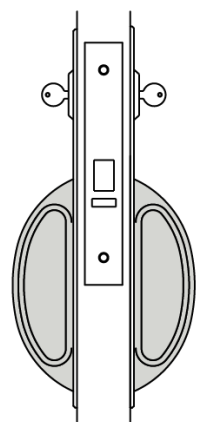


## CH 9145SEC CLASSROOM

Latch bolt by key outside and handle either side unless outside handle is locked by key.

Key outside locks/unlocks outside handle and retracts latch.

Inside handle is always free.



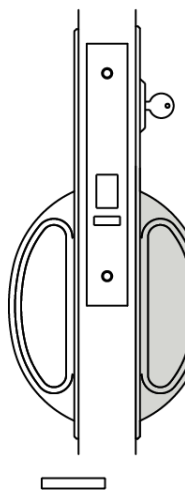
## CH 9158SEC ASYLUM

Latch by key either side.

Inside and outside handle always **rigid**.\*

Auxiliary latch deadlocks latch bolt.

*\*Verify code compliance before using this function.*



## CH 9159SEC STOREROOM

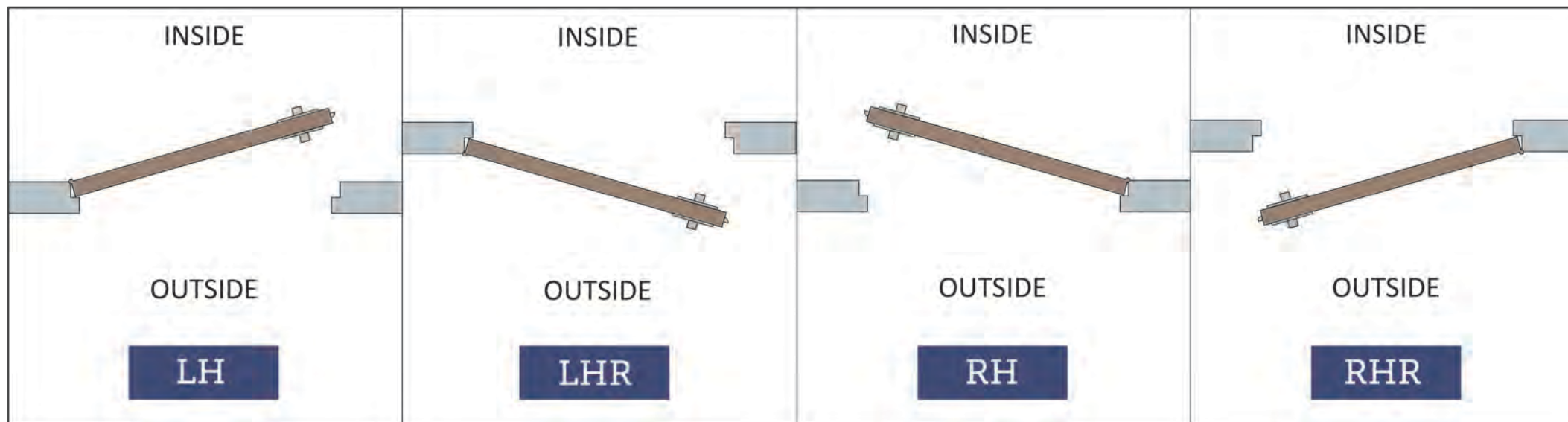
Latch by handle inside and key outside.

Outside handle always **rigid**.

Auxiliary latch deadlocks latch bolt.

# HOW TO SPECIFY

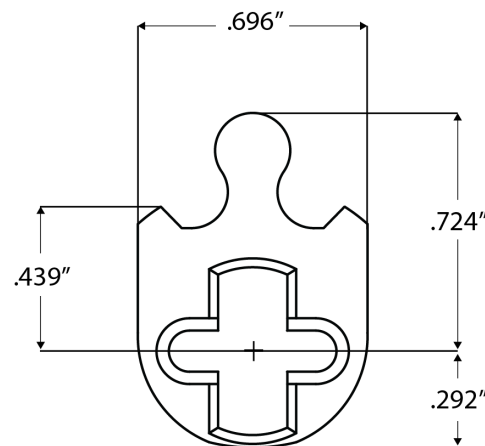
## HANDING



## FINISHES

Standard Finish US26D/US32D.

Please [contact us](#) regarding availability of other finishes.



## CYLINDERS & KEYING

CH Mortise Sets accept any standard American mortise cylinder. For details on required cams and compatibility with other manufacturers' cylinders, please visit:

[Accurate Support.](#)



# RMS PROGRAM ORDER FORM

**CUSTOMER INFO:**

Name: \_\_\_\_\_  
 Company: \_\_\_\_\_  
 Street Address: \_\_\_\_\_  
 City: \_\_\_\_\_ State: \_\_\_\_\_ Zip Code: \_\_\_\_\_  
 Phone: \_\_\_\_\_  
 Email: \_\_\_\_\_

**SHIPPING ADDRESS (If Different):**

Name: \_\_\_\_\_  
 Company: \_\_\_\_\_  
 Street Address: \_\_\_\_\_  
 City: \_\_\_\_\_ State: \_\_\_\_\_ Zip Code: \_\_\_\_\_  
 Phone: \_\_\_\_\_  
 Email: \_\_\_\_\_

FUNCTION	BACKSET	CYLINDER OPTION	TRIM	FINISH	HANDING (Enter Quantity)				DOOR THICKNESS	TOTAL QUANTITY (Minimum 15, not to exceed 20 per order)
					RH	RHR	LH	LHR		
		LC – Less Cylinder	L.PC – Large Plate with Paperclip Protection							
CH 9125SEC PASSAGE	234	N/A	L.PC	626	_____	_____	_____	_____	134DT	_____
CH 9145SEC CLASSROOM	234	LC	L.PC	626	_____	_____	_____	_____	134DT	_____
CH 9158SEC ASYLUM	234	LC	L.PC	626	_____	_____	_____	_____	134DT	_____
CH 9159SEC STOREROOM	234	LC	L.PC	626	_____	_____	_____	_____	134DT	_____

- SHIP VIA:**
- FEDEX GROUND SHIPPING** (Not an overnight service, delivery varies by zone. [See map.](#))
  - UPS NEXT DAY AIR** INDICATE CARRIER ACCOUNT NUMBER: \_\_\_\_\_
  - UPS 2 DAY.** INDICATE CARRIER ACCOUNT NUMBER: \_\_\_\_\_
  - UPS 3 DAY** INDICATE CARRIER ACCOUNT NUMBER: \_\_\_\_\_
  - UPS GROUND** INDICATE CARRIER ACCOUNT NUMBER: \_\_\_\_\_
  - FEDEX 1 NEXT DAY AIR** INDICATE CARRIER ACCOUNT NUMBER: \_\_\_\_\_
  - FEDEX 2 DAY** INDICATE CARRIER ACCOUNT NUMBER: \_\_\_\_\_
  - FEDEX 3 DAY** INDICATE CARRIER ACCOUNT NUMBER: \_\_\_\_\_

**ACCURATE LOCK & HARDWARE  
MANUFACTURERS OF LOCKS AND  
CUSTOM ARCHITECTURAL HARDWARE**

1 Annie Place | Stamford, CT 06902

**P:** 203.348.8865

**F:** 203.348.5234

**E:** sales@accuratelockandhardware.com

**www.accuratelockandhardware.com**



**AMERICAN CRAFTED  
— SINCE 1972 —**