



ACCURATE

LOCK & HARDWARE

AMERICAN CRAFTED SINCE 1972

2000 + 200Q SERIES

POCKET DOOR EDGE PULL

BRASS	US15	22pcs
FC3004		

2000 POCKET DOOR EDGE PULL

The standard 2000 is a 5" Pocket Door

Edge Pull designed for passage, non-

locking applications on space-saving

doors. Also available as 2000Q Quiet

Pocket Door Edge Pull featuring a quiet,

slow-release edge pull. Pair with Blank

Flush Pulls.



Pocket Door Edge Pull

2000 + 2002Q



2000



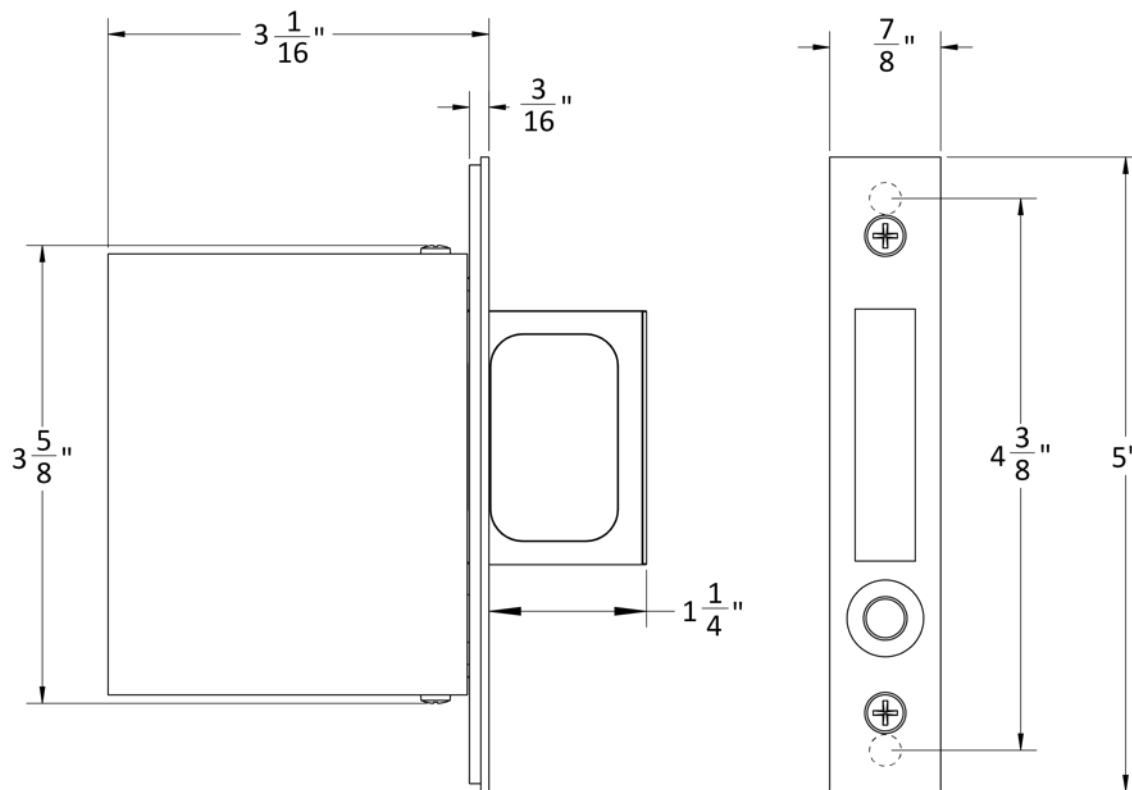
2000Q

2000 + 2000Q 5" POCKET DOOR EDGE PULL

- For passage, non-locking pocket doors (pair with Blank Flush Pulls)
- Available with Quiet Pocket Door Pull that features a Quiet slow release edge pull pops out of the lock with press of a button allowing for comfortable operation to pull door out of pocket.

SILENT **PAC**™
by ACCURATE | QUIET POCKET
DOOR PULL

2000: Technical Details



$3\frac{1}{16}$ " overall depth standard

CASE: Heavy gauge, wrought ($1\frac{1}{16}$ " thick)

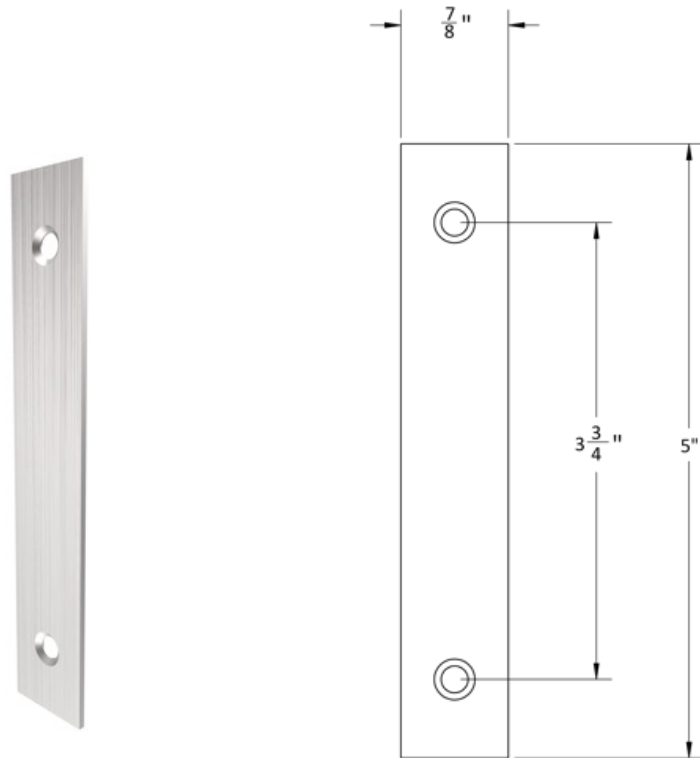
ARMOR FRONT: $\frac{7}{8}$ " wide, 5" standard made from brass, bronze or stainless steel and finished as required

PULL: $\frac{1}{2}$ " thick, 2" high, $1\frac{1}{4}$ " throw

Pocket Door Jamb Protector Plate

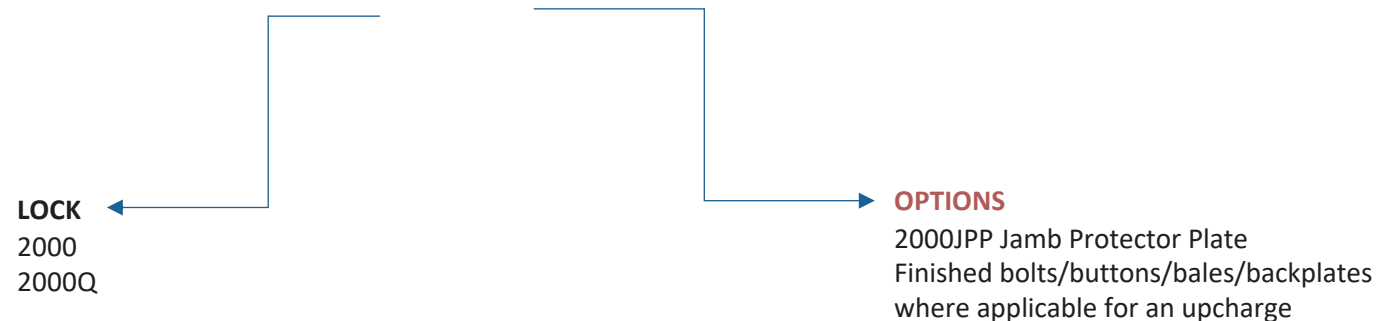
2000JPP

To oppose 2000



HOW TO SPECIFY

LOCK. FINISH. OPTIONS



EXAMPLES

Quiet Pocket Door Edge Pull

E.g.: 2000Q.**US26D**

Pocket Door Edge Pull | Jamb Protector Plate

E.g.: 2000.**US3.2000JPP**

Pocket Door Edge Pull | All Bolts Finished

E.g.: 2000.**US19.US19BOLTS**

FINISHES

GROUP 1: US4, US4NL, US32D*, US26D

GROUP 2: US3, US3NL, US26, US32*, US9*, US10*, US10B, US14, US15, US19

GROUP 3: BN, BB, TN, TB, DURO, ESN, US15A, US5

Applicable finishes come standard with [Cerakote Premium Protective Coating](#). Available in gloss or matte.

** Trim options (including Accurate Levers) may not be available in US32D, US32, US9, or US10 finish. Please call for assistance.*

To view example of finishes visit: [Accurate Finishes](#).

**ACCURATE LOCK & HARDWARE
MANUFACTURERS OF LOCKS AND
CUSTOM ARCHITECTURAL HARDWARE**

1 Annie Place | Stamford, CT 06902

P: 203.348.8865

F: 203.348.5234

E: sales@accuratelockandhardware.com

www.accuratelockandhardware.com



**AMERICAN CRAFTED
— SINCE 1972 —**