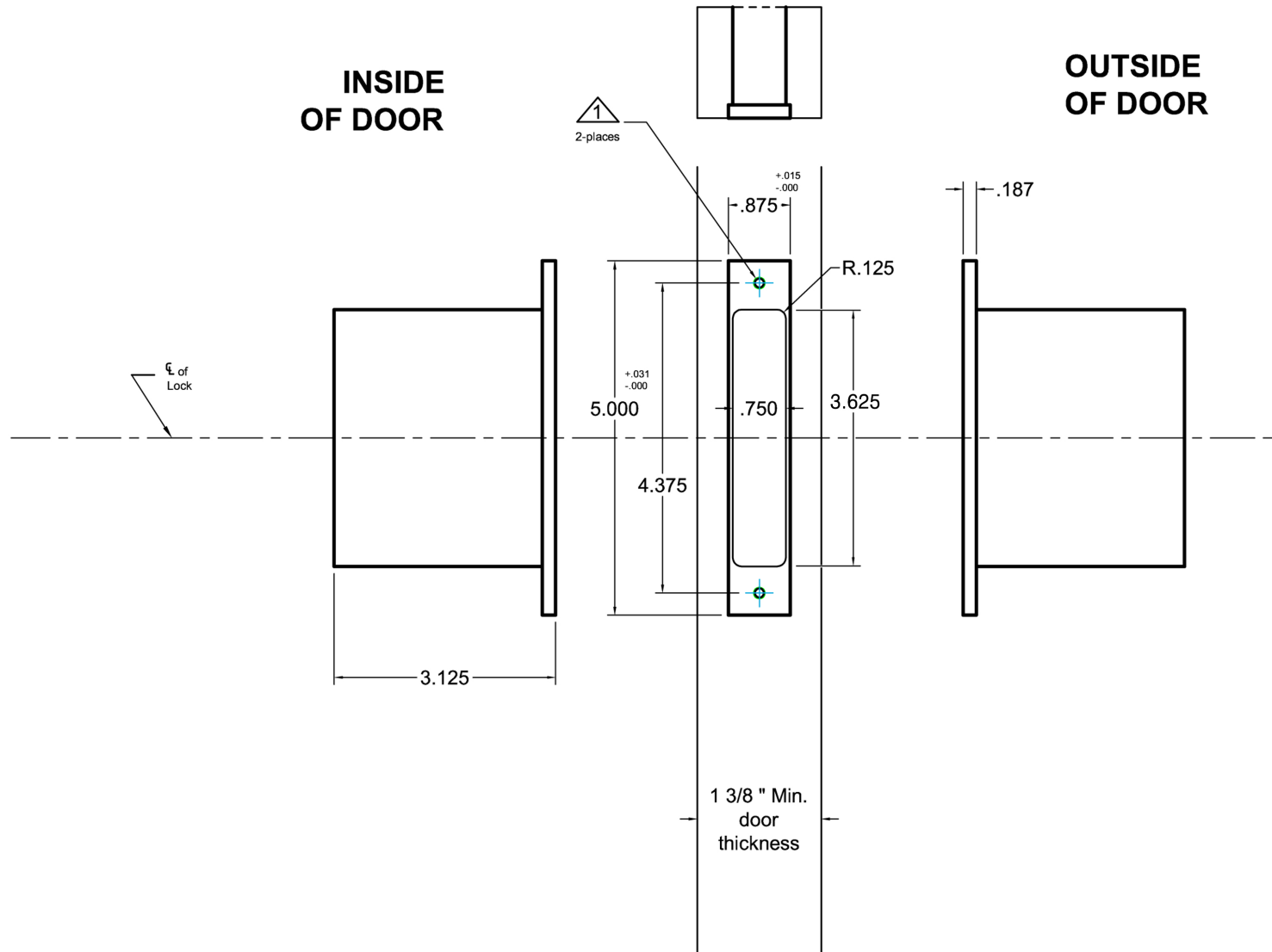


INSIDE  
OF DOOR

OUTSIDE  
OF DOOR



**Notes:**

- △ Prep for #8 wood or 8-32 machine screws.

**Additional Notes:**

- a) **Responsibility:** Door and frame manufacturers are responsible for providing adequate construction or re-inforcement for proper installation of hardware shown.
- b) See Spec.2000/2000Q for additional details.

